

**1a**

Comfort				
100	130	160	210	240
✓	✓	✓	✓	✗

**1b**

Comfort				
100	130	160	210	240
✓	✓	✓	✗	✗

**1c**

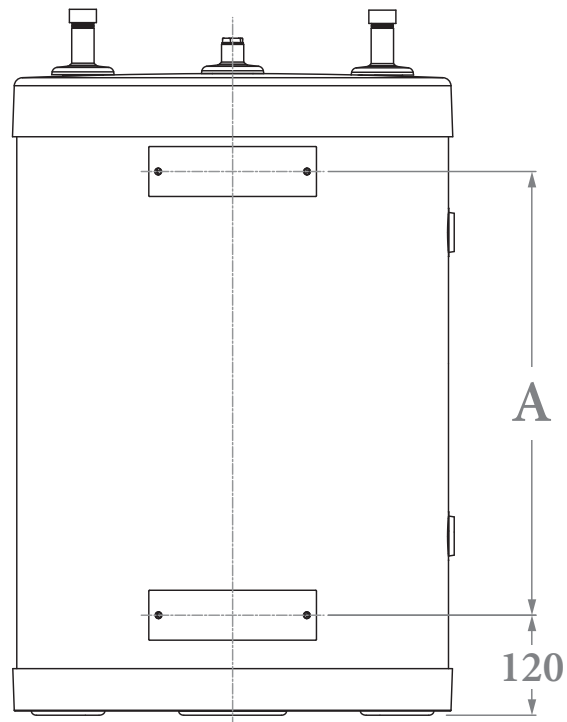
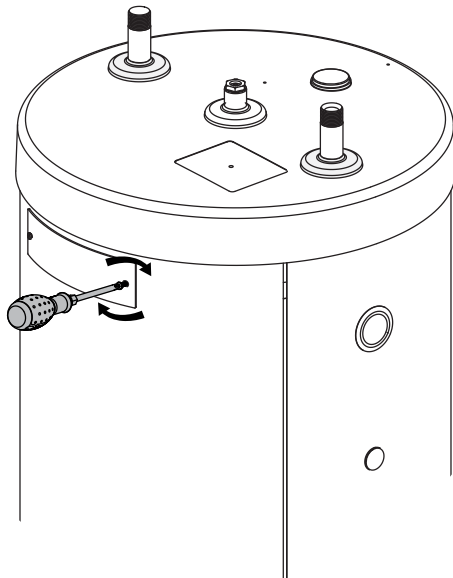
Comfort				
100	130	160	210	240
✓	✓	✓	✗	✗

2

4 x 

2 x 

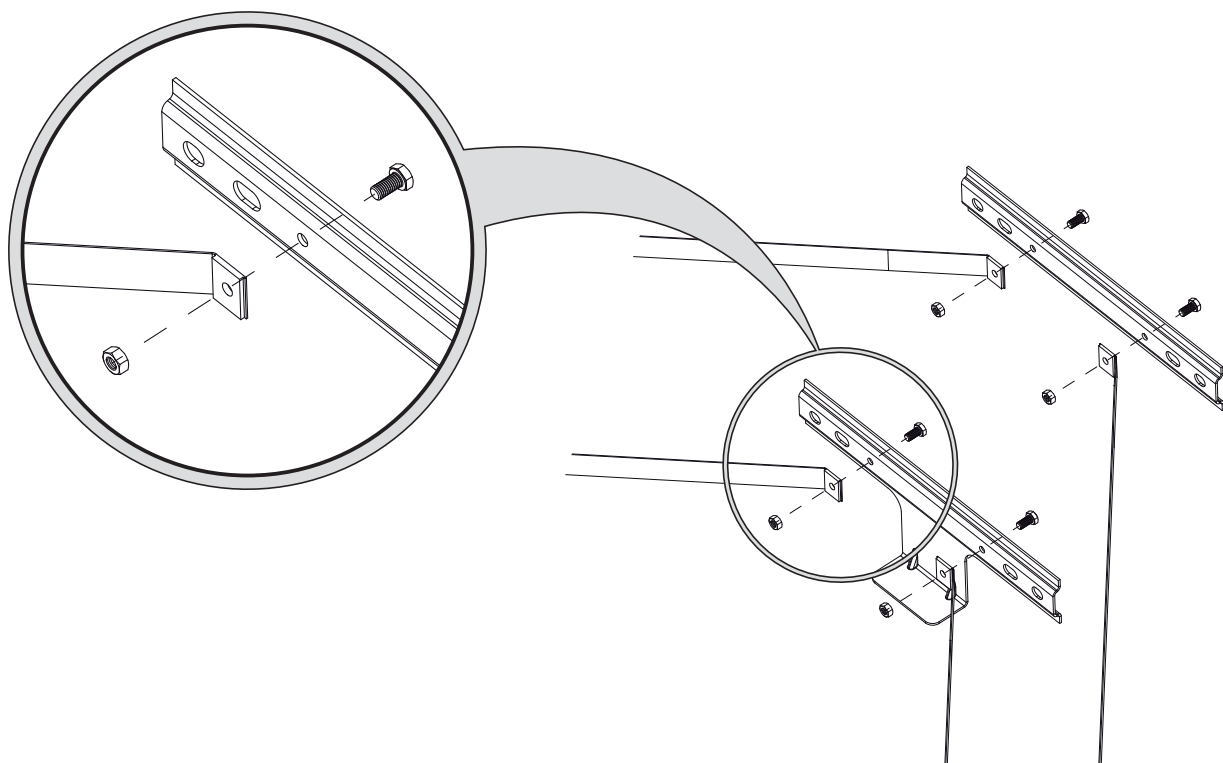
Comfort	100	130	160	210
A (mm)	533	693	593	1163



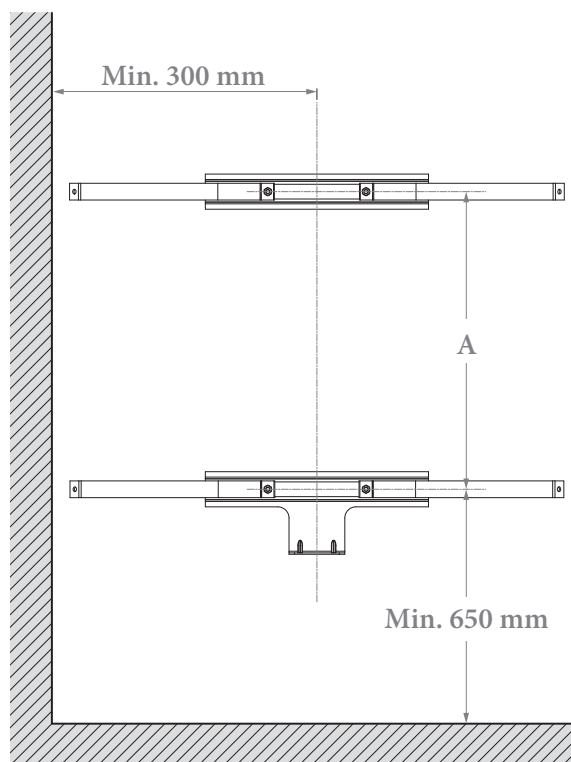
3

4 x 


4 x 



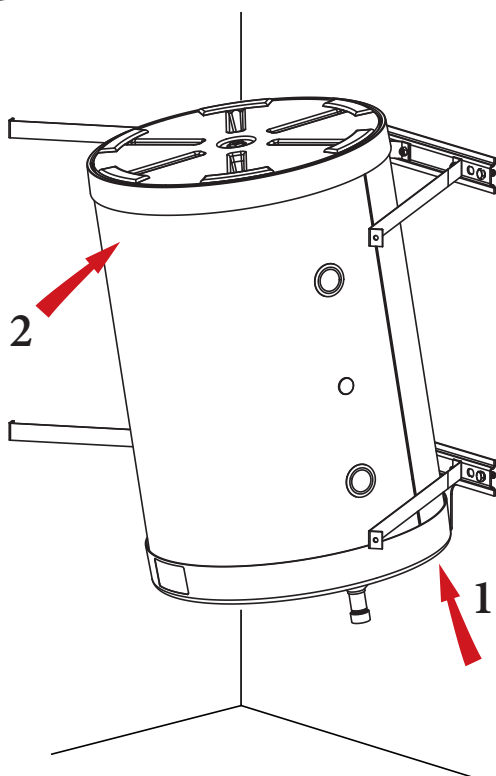
4



Comfort	100	130	160	210
A (mm)	533	693	593	1163

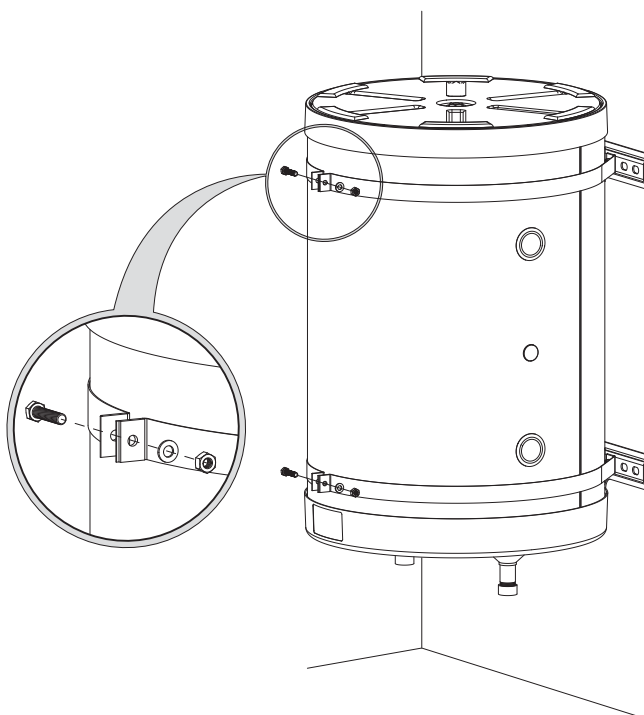
	Classe	d x L
	8.8	8 x 80 mm

5



2 x  2 x  2 x 

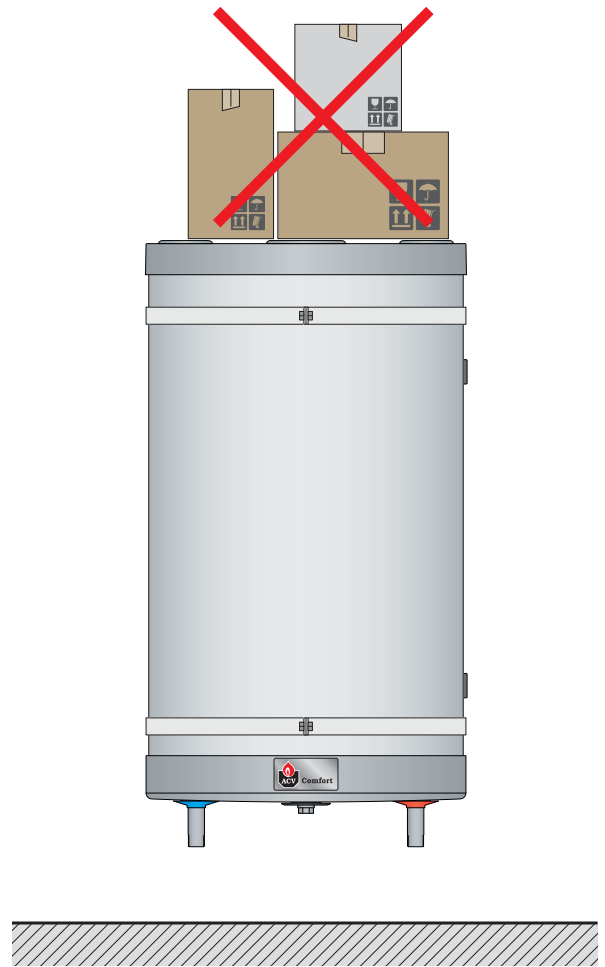
6



7



8



4 x



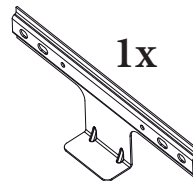
2 x



1 x



1 x



6 x



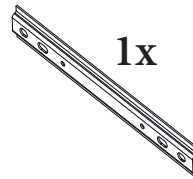
2 x



1 x



1 x



2 x



4 x



4 x

