

Jøtul I 520

Jøtul I 520
Manual Version Poz

GB - Installation and Operating Instructions	2
NL - Installations- og brugsanvisning	32
DE -- Montage- und Gebrauchsanweisung	62
BE - Conformiteitsverklaring - België	94



Jøtul I 520 F



Jøtul I 520 FL



Jøtul I 520 FR



Jøtul I 520 FRL



The manuals which are enclosed with the product must be kept throughout the product's entire service life. De bij de haard meegeleverde handleidingen moeten gedurende de volledige gebruiksduur van de haard bewaard blijven. Das im Lieferumfang des Produkts enthaltene Begleitmaterial ist über die gesamte Nutzungsdauer aufzubewahren.

ENGLISH

Table of contents

Installation manual with technical data

- 1.0 Regulatory information2
- 2.0 Technical data2
- 3.0 Safety3
- 4.0 Installation3
- 5.0 Daily use 26
- 6.0 Maintenance 28
- 7.0 Servicing 29
- 8.0 Optional Extras 31
- 9.0 Recycling..... 31
- 10.0 Warranty..... 31

1.0 Regulatory information

The installation of a fireplace must take place in accordance with each country's laws and regulations.

All local ordinances, including those that refer to national and European standards, must be complied with when products are installed.

Both an installation manual with technical data and a general user and maintenance manual accompany the product. The installation can only be taken into use after it has been checked by a qualified inspector.

A rating plate made of a heat-resistant material is fixed to the heat shield. This provides information on identification and documentation of the product.

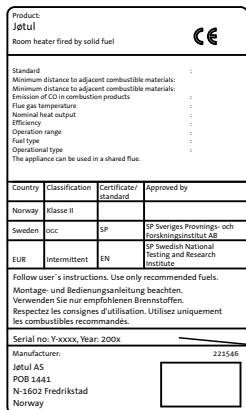
2.0 Technical data

Material:	Cast iron
Finish:	Black Paint
Type of fuel:	Wood
Max. log length:	50 cm
Smoke outlet:	Top or rear-installed smoke outlet (rotated 45°).
Flue pipe dimension:	Ø 150 mm/177 cm ² cross section
Weight:	Approx. 110 kg
Optional extras:	Leg Rack complete, door lock complete - left, frames, sheet metal grids, and convection top plate.
Product dimensions, distances:	See fig. 1

Technical data in accordance with EN 13229

Nominal heat output:	7 kW
Efficiency:	77%
CO emissions (13% O ₂):	0.07%
CO emissions (13% O ₂):	884 mg/Nm ³
OGC emissions (13% O ₂):	60 mg/Nm ³
Dust emissions (13% O ₂):	14 mg/Nm ³
Flue gas temperature:	305°C
Flue gas flow rate:	7,1 g/s
Chimney draught, EN 13229:	12 Pa
Recommended draught with smoke outlet:	16-18 Pa
Fuel consumption:	2.3 kg/h
Kindling quantity:	1,7 kg
Max. kindling:	3,4 kg each time and 3,8 kg/h
Operation:	Intermittent

“Intermittent combustion” here means normal use of a stove. That is to say, if you want to continue producing heat, you add more fuel as soon as the previous load of wood has burnt down to embers.



On all our products there is a label indicating the serial number and year. Write this number in the place indicated in the installation instructions.

Always quote this serial number when contacting your retailer or Jøtul.

Serial no.

3.0 Safety

NB! To guarantee optimal performance and safety, Jøtul stoves must be fitted by a qualified installer.

Any modifications to the product by the distributor, installer or consumer may result in the product and safety features not functioning as intended. The same applies to the installation of accessories or optional extras not supplied by Jøtul. This may also be the case if parts that are essential to the functioning and safety of the fireplace have been disassembled or removed.

In all these cases, the manufacturer is not responsible or liable for the product and the right to make a complaint becomes null and void.

3.1 Fire Prevention Measures

There is a certain element of danger every time you use your fireplace. The following instructions must therefore be followed:

- The minimum safety distances when installing and using the fireplace are given in **fig. 1a** and **fig. 1b**.
- Ensure that furniture and other flammable materials are not too close to the fireplace. Flammable materials should not be placed within 1 metre of the fireplace.
- Allow the fire to burn out. Never extinguish the flames with water.
- The fireplace becomes hot when lit and may cause burns if touched.
- Only remove ash when the fireplace is cold. Ash can contain hot embers and should therefore be placed in a non-flammable container.
- Ash should be placed outdoors or be emptied in a place where it will not present a potential fire hazard.

In case of chimney fire:

- Close all hatches and vents.
- Keep the firebox door closed.
- Check the loft and cellar for smoke.
- Call the fire service.

Before use after a fire an expert must check the fireplace and the chimney in order to ensure that it is fully functional.

4.0 Installation

The Jøtul I 520 can be installed in a prefabricated surround, brick surround and pre-existing open fireplace (hearth).

If installing in a prefabricated surround, follow the instruction manual for the surround. **NB! The product cannot be placed directly in a corner if the convection air outlet is towards the ceiling (see fig. 1f).**

If building a brick surround, the leg rack (optional, item no. 51044759) must be used. See **Fig. 1 e and f**.

If placing inside a pre-existing, code-compliant masonry fireplace, it must also satisfy the requirements for the insert surround, regarding installation against combustible materials and air vents. See **Fig. 1 c, d, e, and f**.

4.1 Floor

Foundations

Ensure that the floor is strong enough for the fireplace. See «**2.0 Technical data**» for weights.

Combustible floor protection

If the fireplace is to be mounted on a combustible floor, cover the floor under and in front of the fireplace with a plate of metal or other non-combustible material. The recommended minimum thickness is 0,9 mm. The minimum distance between the floor and the frame can not be less than 428mm (see Fig. 1f).

It is recommended that flooring which is not fastened to the foundations – so-called floating flooring – is removed during installation.

Any flooring made of combustible material, such as linoleum, carpets, etc. should be removed from under the floor plate.

The plate must be in accordance with national laws and regulations.

Contact your local building authority regarding restrictions and installation requirements.

Requirements for protection of inflammable floors in front of the fireplace

The floor in front of the fireplace must be protected by a sheet of metal or other non-inflammable material. The recommended minimum thickness is 0.9 mm. The floor plate must comply with national laws and regulations. Distance between floor and frame must be a minimum of 428mm (see Fig. 1f)

Contact your local building authorities regarding restrictions and installation requirements.

4.2 Wall

Distance to combustible wall protected by insulation (fig. 1)

The Jøtul I 520 can be installed inside an open structure/surround, provided that the distance from the wall (both combustible and non-combustible) is at least 700 mm on the sides with glass, and at least 362 mm on the sides without glass. These distances must be observed because of the heat that is transferred onto the ceiling and adjacent walls (**Fig. 1 e and f**). With this type of installation, the convection holes in the front and sides of the surround can be omitted since there are convection slots in the top.

Note: Do not place a solid plate on the top of the stove. There must be at least 750 cm² of free air space at the top and at least 500 cm² of free opening at the base.

Insulation requirements

When installing the insert in a home-built surround with combustible walls protected by insulating material, the following types and thicknesses of insulation can be used:

- 50 mm Jøtul JGFW-5 fireproof board (specific thermal conductivity = λ value = 0.06 W/mK)

ENGLISH

- 50 mm Rockwool Fire Protective Bats (λ value = 0.046 W/mK)
- 150 mm Siporex (λ value = 0.144 W/mK).

Other materials may be used. The insulation properties must then always be equal to or exceed the thermal resistance* (R) requirements for the 50 mm Jøtul JGFW-5.

* *Thermal resistance (R) is an indication of how well a material insulates with respect to its thickness. Thermal resistance (R) is calculated as the thickness (d) of the material divided by the thermal conductivity of the material. $R = d/\lambda$ value.*

The thermal resistance (R) for the Jøtul JGFW-5 is 0.83 m²*K/W.

Distance to combustible wall protected by firewall (Fig. 1)

Requirements for regulation firewalls

The firewall must be at least 100 mm thick and made of brick, concrete or lightweight concrete. Other materials and structures with satisfactory documentation may also be used.

Contact your local building authorities regarding restrictions and installation requirements.

Distance to non-inflammable wall

“Non-inflammable wall” here means a non-bearing wall of continuous brickwork/concrete.

Requirements for fireplace surround

Fireplace surrounds must be made of a non-inflammable material. Note that the entire back wall and, if any, side walls within the surround must be covered with insulation/firewalls.

If the cowl is built up to the ceiling and the ceiling is of inflammable material, extra panelling must be installed above the top of the heating chamber and above the cowl's vents in order to prevent the ceiling becoming hot. Use for example: Rock wool, 100 mm thick, on a steel plate (min. 0.9 mm). See Fig. 1 e and f. Ensure there is adequate ventilation in the top of the cowl – e.g. a gap under the ceiling.

NB: Remember that it must be possible to sweep and inspect the installation.

4.3 Air supply

Air must flow between the insert and the brickwork, and it is extremely important that there is an unimpeded air supply to the air inlets.

The air inlet dimensions specified in the text are minimum requirements.

Required air vent sizes (for air circulation):

Base: Minimum of 500 cm² free opening.

Top: Minimum of 750 cm² free opening.

Note: See fig. 1 e and f

4.4 Ceiling

The fireplace can be fitted with the top edge of the hot air opening of the surround at least 400 mm below a ceiling of

inflammable material. See Fig. 1 e and f. Ensure there is adequate ventilation in the top of the cowl – e.g. a gap under the ceiling.

4.5 Chimney

The chimney is the engine that drives the fireplace and it's essential to have a good chimney in order for the fireplace to function properly.

The draught in the chimney creates a vacuum in the stove. This vacuum draws the smoke out of the stove and takes in air through the combustion air baffle to fuel the burning process. The combustion air is also used for the airwash system that keeps the window clear of soot.

The draught in the chimney is caused by the difference in temperatures inside and outside the chimney. The greater the temperature difference, the better the draught in the chimney. It is therefore important to allow the chimney to reach operating temperature before adjusting the air vents to restrict combustion in the stove (a brickwork chimney takes longer to reach operating temperature than a steel chimney).

It is particularly important to reach operating temperature as quickly as possible on days on which the draught in the chimney is poor due to unfavourable wind and weather conditions. Make sure the fuel ignites as quickly as possible. Practical tip: Chop the wood into much smaller pieces and use an extra firelighter.

NB: If the stove has not been used for some considerable time, it is important to check the chimney pipe for blockage.

4.6 Chimney and flue pipe

- The fireplace can be connected to a chimney and flue pipe approved for solid fuel fireplaces with flue gas temperatures as specified in “2.0 Technical Data”.
- The cross-section of the chimney must be at least that of the flue pipe. Use “2.0 Technical Data” to calculate the correct chimney cross-section.
- The fireplace must be connected to a chimney and flue pipe approved for solid fuel fireplaces with flue gas temperatures as specified in «2.0 Technical Data».
- Before a hole is made in the chimney, the fireplace should be test-mounted in order to correctly mark the position of the fireplace and the hole in the chimney. See Fig. 1 for minimum dimensions. **NB: This does not apply if the stove is installed inside a hearth.**
- **NB: A sweeping hatch is not required if the angle of the flue pipe bend is 45° or less. If the angle is greater than 45°, a flue pipe bend with a hatch must be installed to allow sweeping.**

Please note that it is extremely important for connections to have a degree of flexibility. This is to prevent any movement in the installation leading to the formation of cracks.

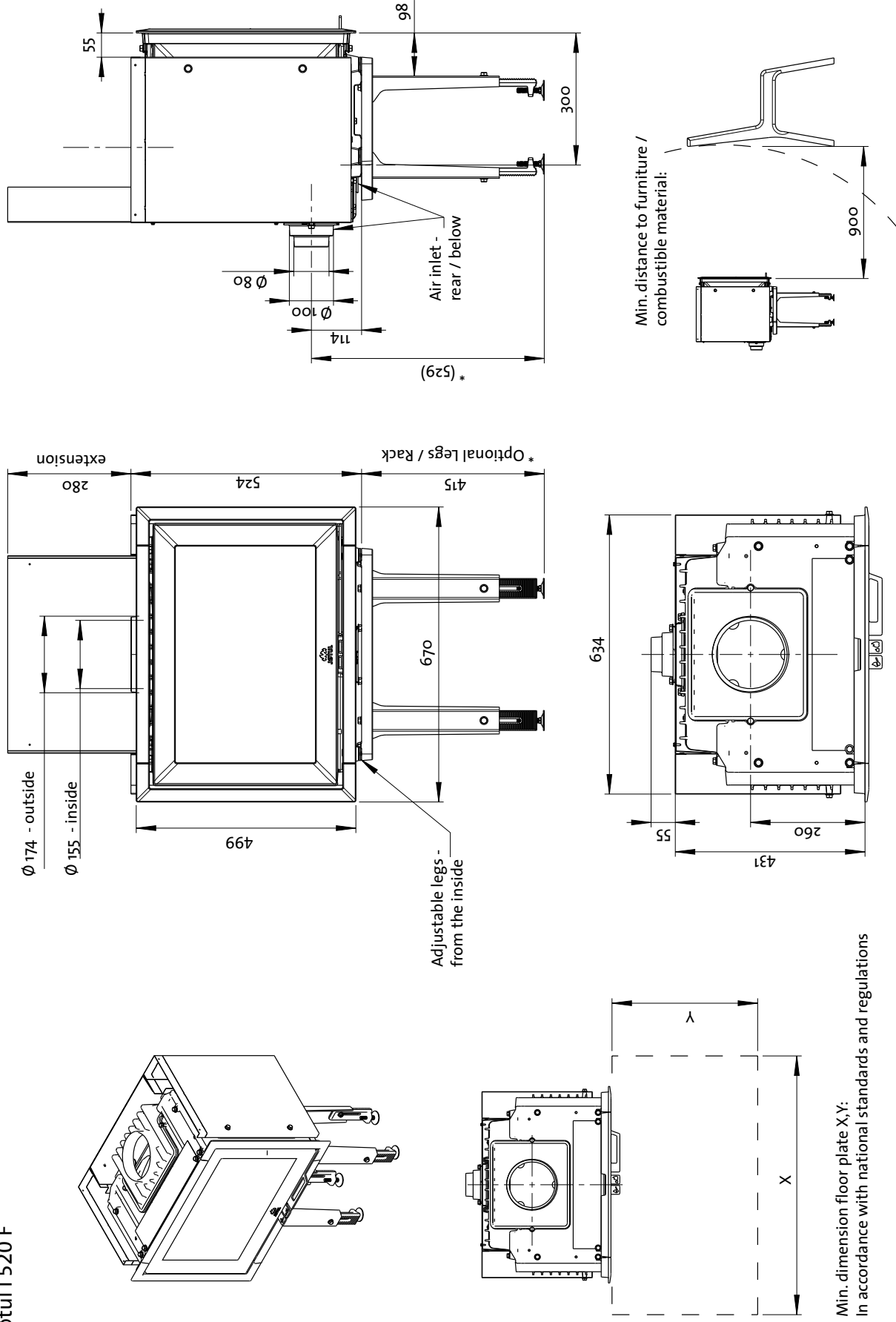
NB: A correct and airtight connection is extremely important for the function of the product.

Weight must not be transferred from the fireplace structure to the chimney. The fireplace structure must not hinder the chimney's ability to move, and must not be anchored to the chimney.

For recommended chimney draught, see “2.0 Technical Data”. If the draught is too strong, a flue pipe damper can be installed and used to reduce the draught.

Fig.1 a

Product:
Jøtul I 520 F

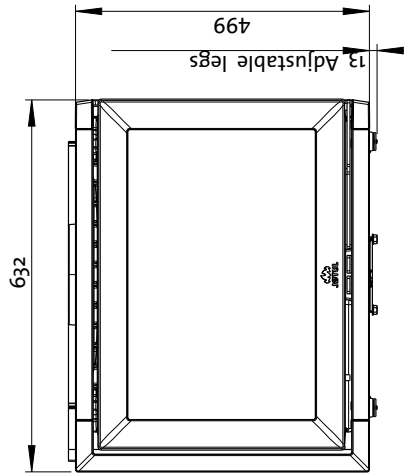
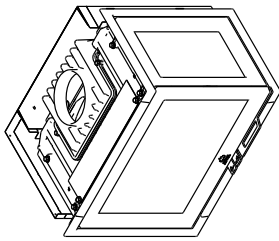


Min. dimension floor plate X,Y:
In accordance with national standards and regulations

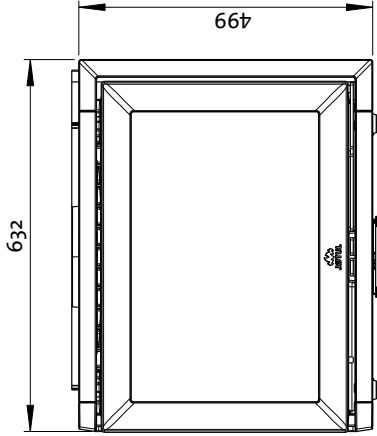
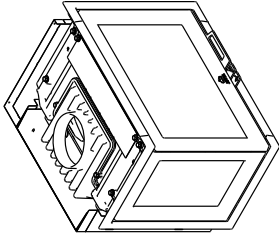
Fig.1b

Product:

Jøtul I 520 FR



Jøtul I 520 FL



Jøtul I 520 FRL

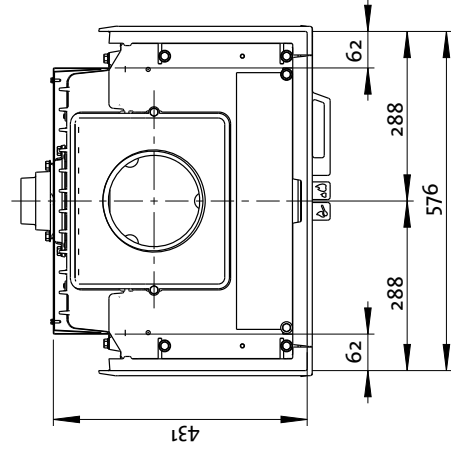
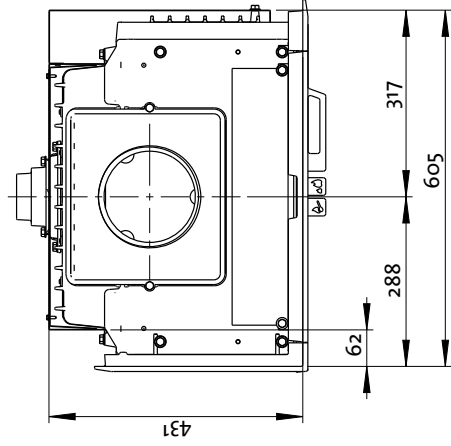
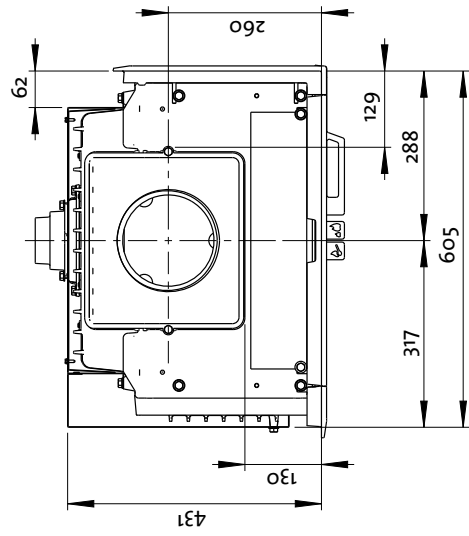
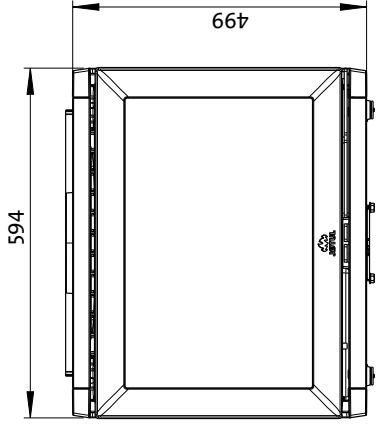
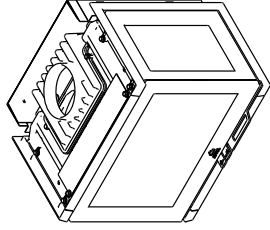
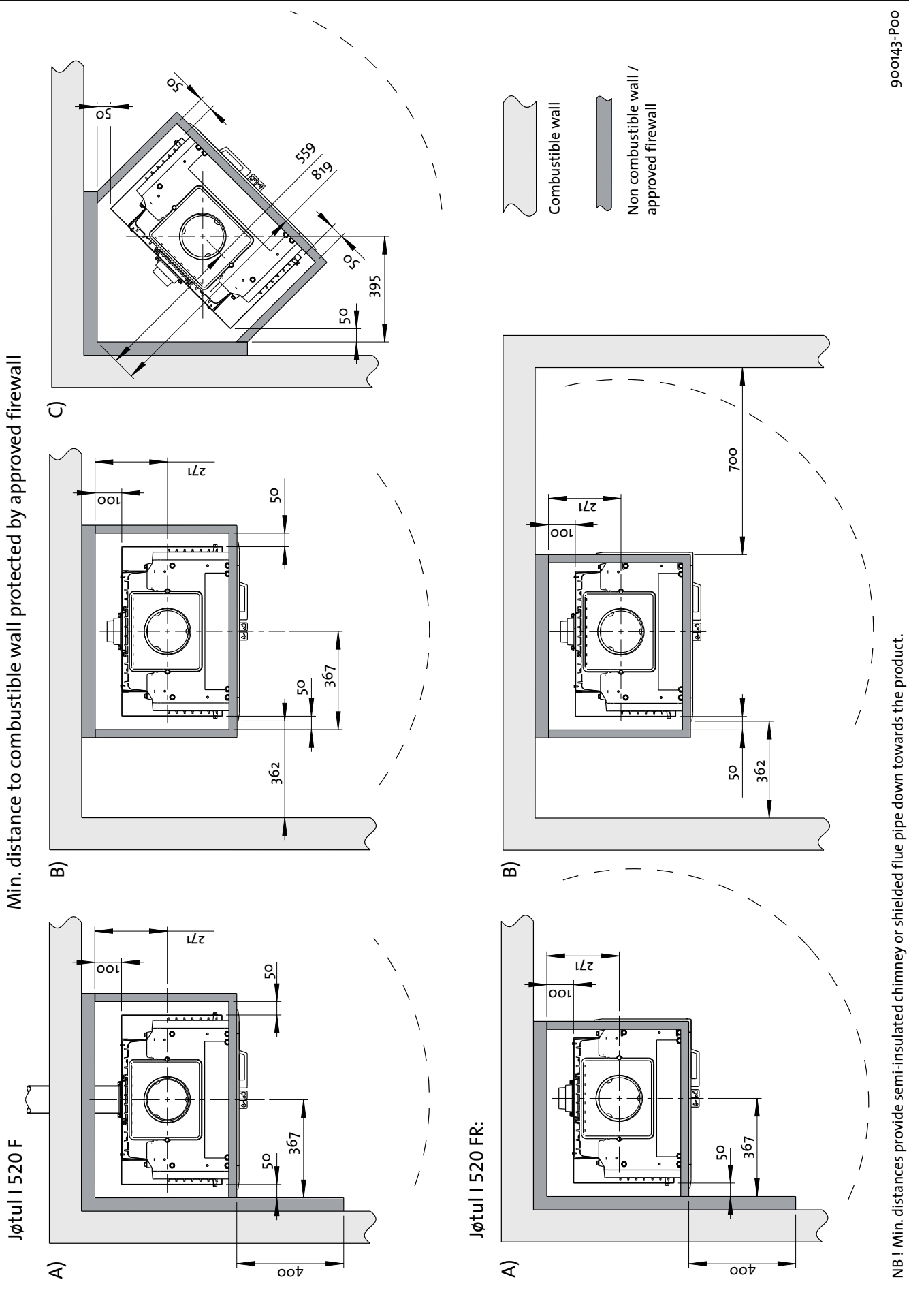


Fig. 1 C

Min. distance to combustible wall protected by approved firewall

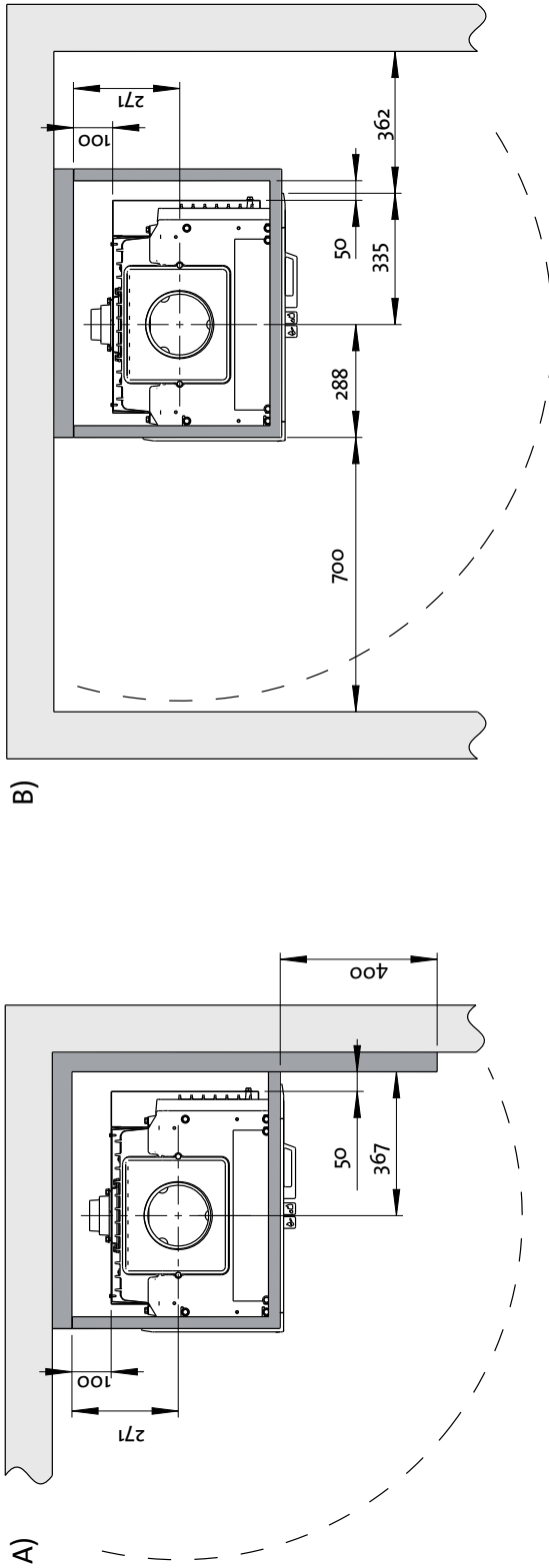


NB ! Min. distances provide semi-insulated chimney or shielded flue pipe down towards the product.

900143-P00

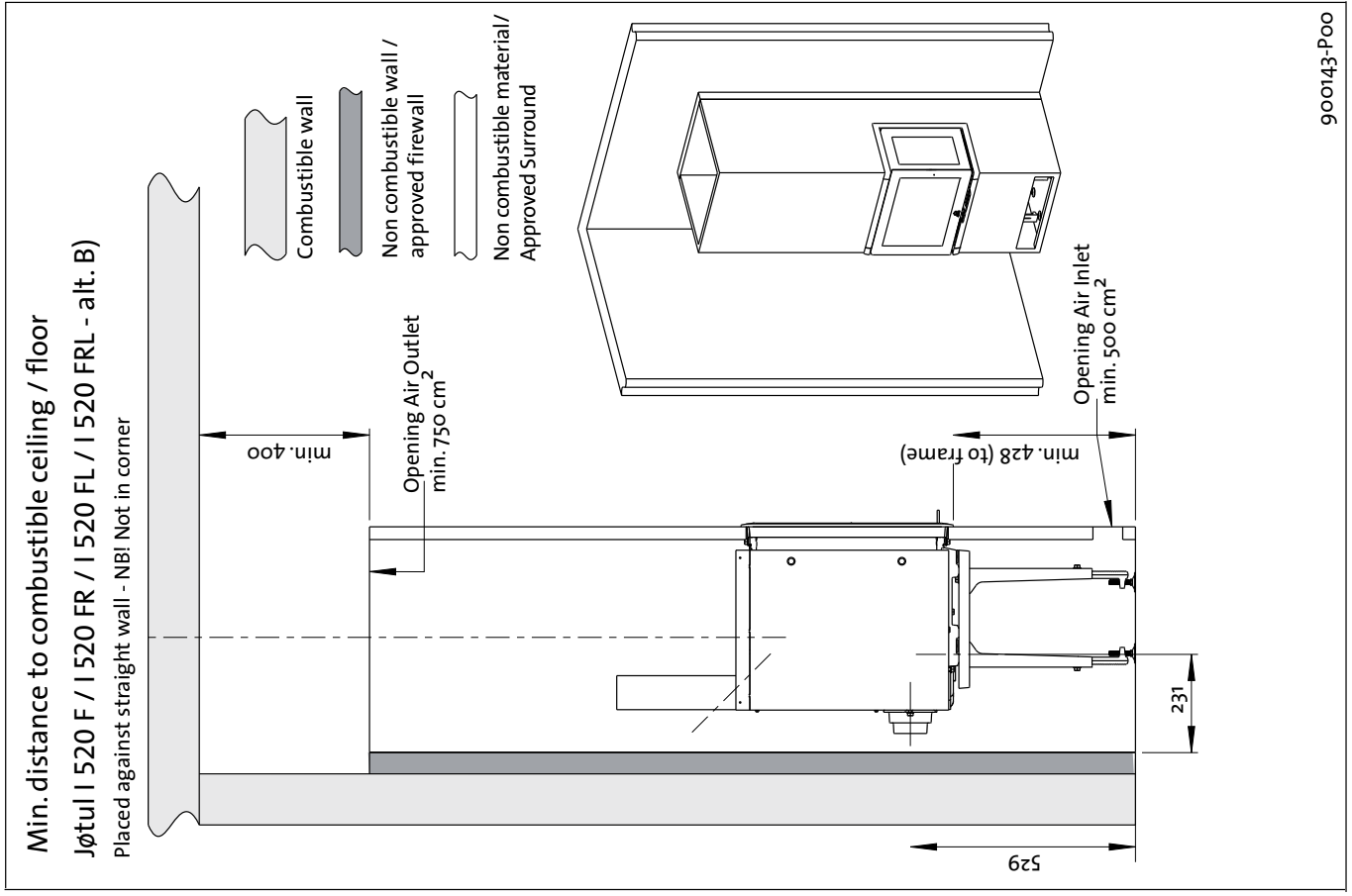
Fig. 1d

Min. distance to combustible wall protected by approved firewall



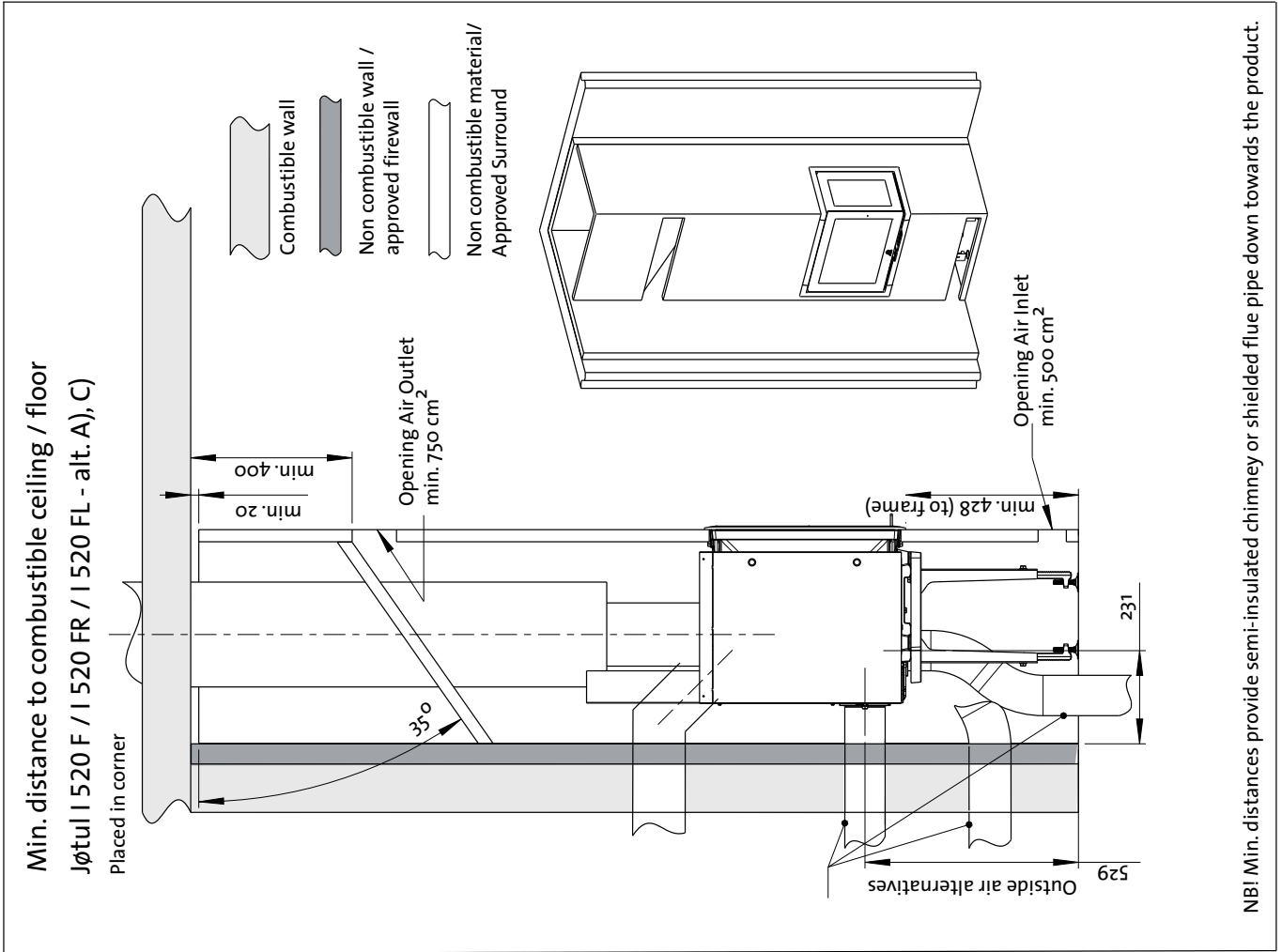
NB! Min. distances provide semi-insulated chimney or shielded flue pipe down towards the product.

Fig. 1 f



900143-P00

Fig. 1 e



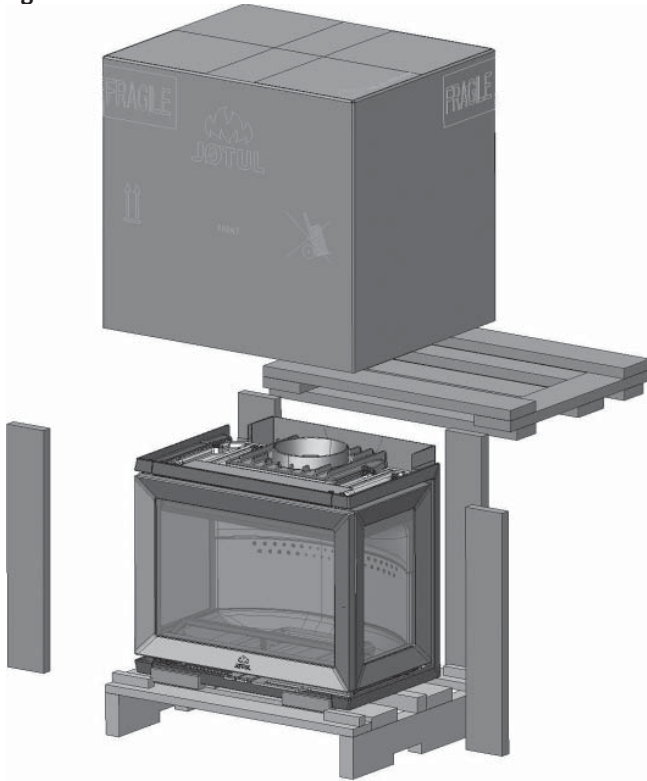
NBI Min. distances provide semi-insulated chimney or shielded flue pipe down towards the product.

ENGLISH

4.7 Preparation/installation

The product comes in one package.

Fig. 2 - a



All the packaging can be recycled.

Fig. 2 b



The product is heavy! Ensure you have help when positioning and installing it.

NB: Before installing the fireplace, check it carefully for any signs of damage.

Outside air connection

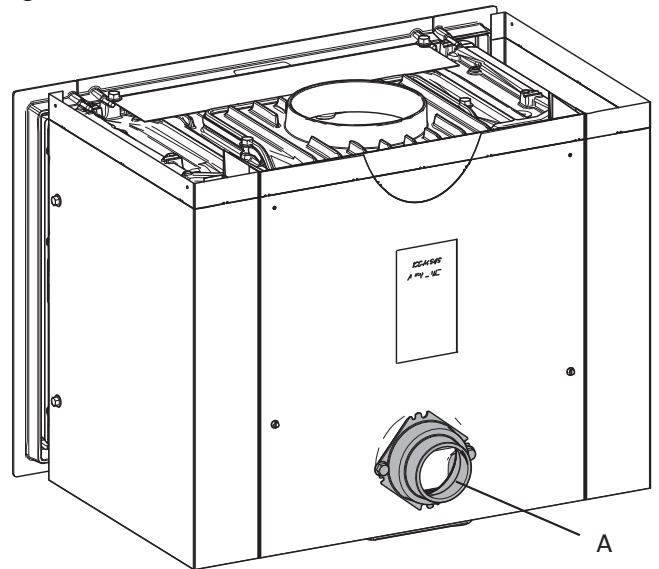
An optional outside air connection kit is available to order. **(Comes with its own manual - Outside air connection Ø 100, item no. 10026187).** The duct connector fits Ø100 and Ø 80 fresh air intake tubes.

This is done **before** bricking in or building the surround.

Full compliance with fire codes and regulations is essential if installing in a pre-existing hearth (open fireplace).

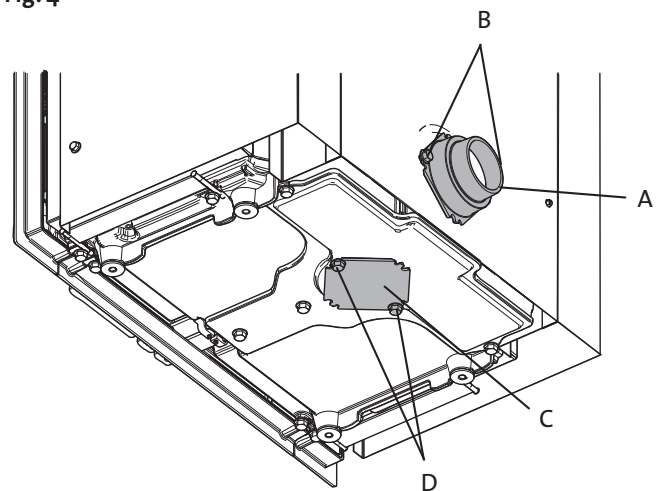
External air supply

Fig. 3



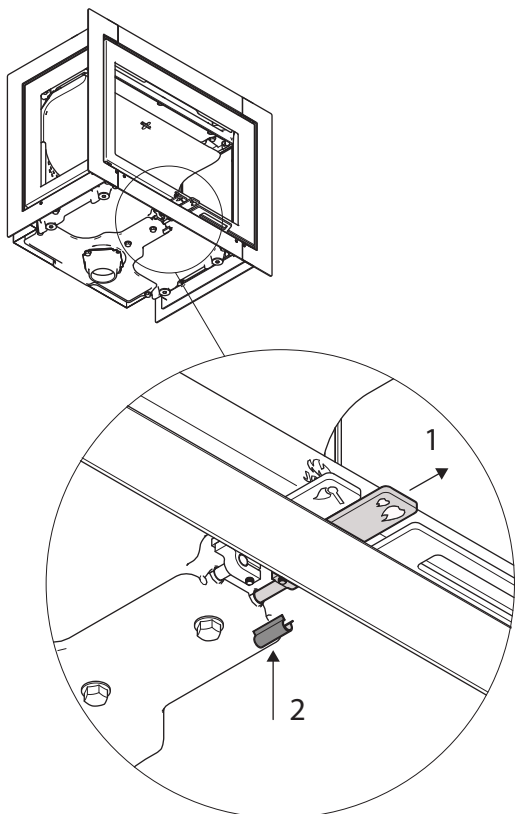
1. The product has an air intake (A) at the rear. If necessary, the air intake can be moved to the bottom of the product. See Fig. 4

Fig. 4



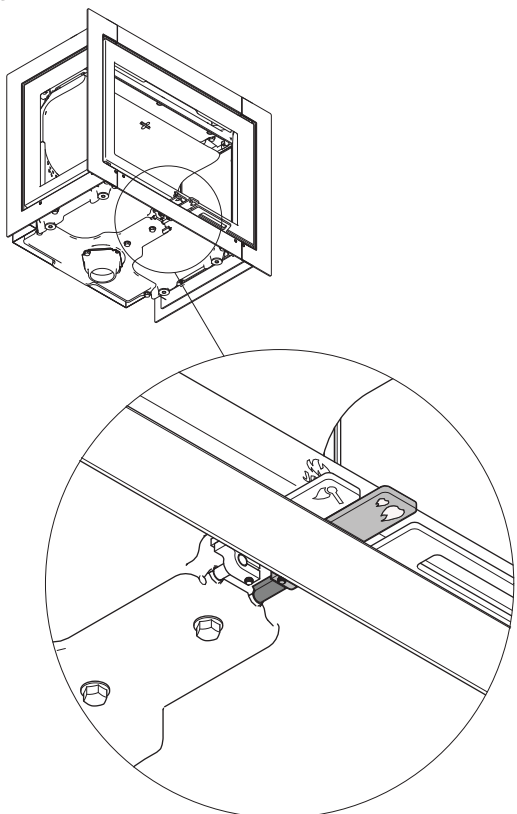
2. Unscrew the two screws (B) and remove the air intake connector (A).
3. Then unscrew the two screws (D) beneath the burn chamber and remove the cover (C).
4. Install the connector (A) beneath where the cover was placed and secure the connector with screws (B).
5. Then secure the removed cover over the air intake hole at the rear. Secure it in place using the same screws.

Fig. 4-b



- Pull out the primary air valve handle
- Place the distance clip to the shaft, as shown on (fig. 4-b) to keep the valve in open position (UK only).

Fig. 4-c



Installation of leg rack (optional)

If building a brick surround, the leg base (optional, item no. 51044759) must be used. See Fig. 1 e and f.



Door hinges

The door is left-hinged as standard but can be changed to right-hinged if required. If so, it should be changed before placing the stove inside the hearth or surround.

An optional kit is required to change the door hinging.

Item no. 50045754. (See the manual, item no. 10045851, which comes with the assembly kit.)

4.8 Connection to chimney

Before installing the product, you need to decide how it is to be connected to the chimney.

Installation of the smoke bell

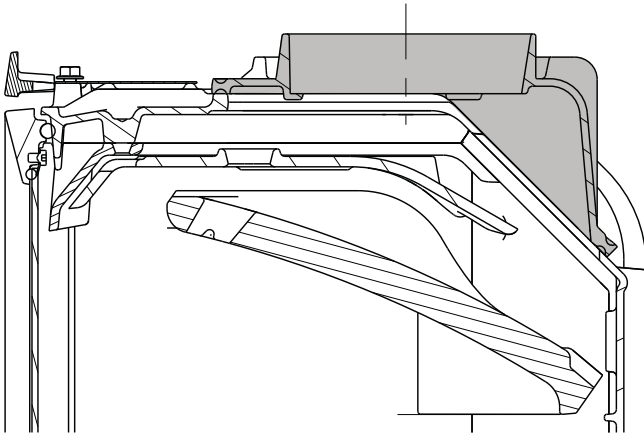
The smoke bell can be installed from the outside and the inside. It is factory-fitted on the outside for a top outlet, but can be mounted to a top outlet from the inside. It can also be rotated 45° (rear outlet) for installation from both outside and inside.

If installing from the inside, the burn plates, baffle and exhaust deflector must be removed.

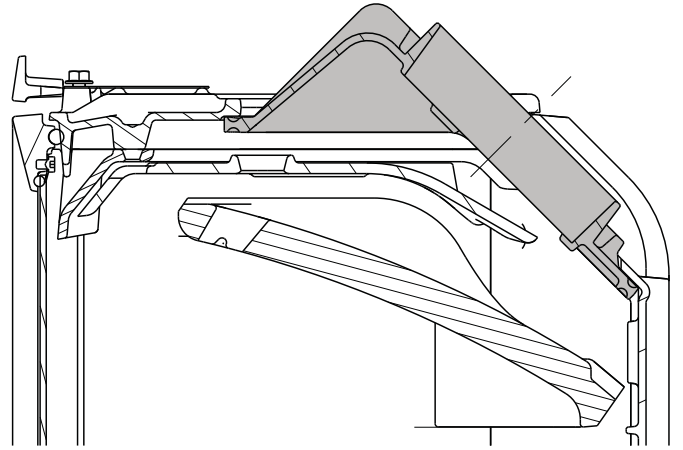
ENGLISH

Fig. 5

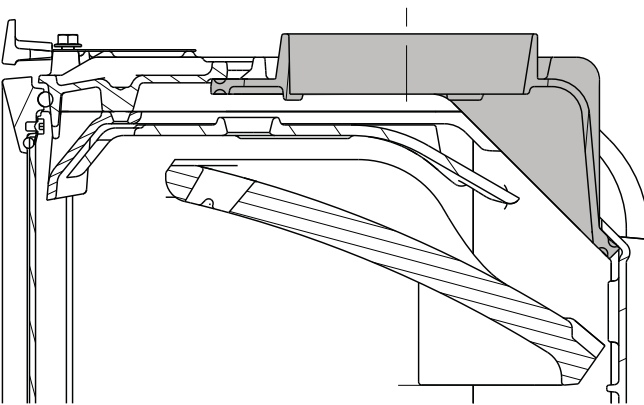
**Top outlet installed from the outside
(factory-fitted)**



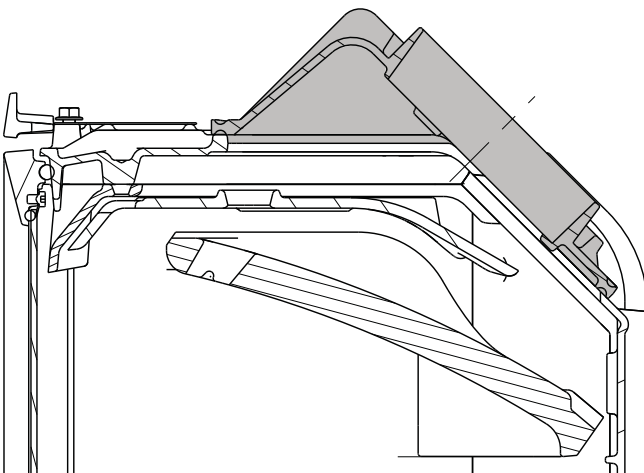
**Rear-installed smoke outlet (rotated 45°
from the inside).**



Top outlet installed from the inside



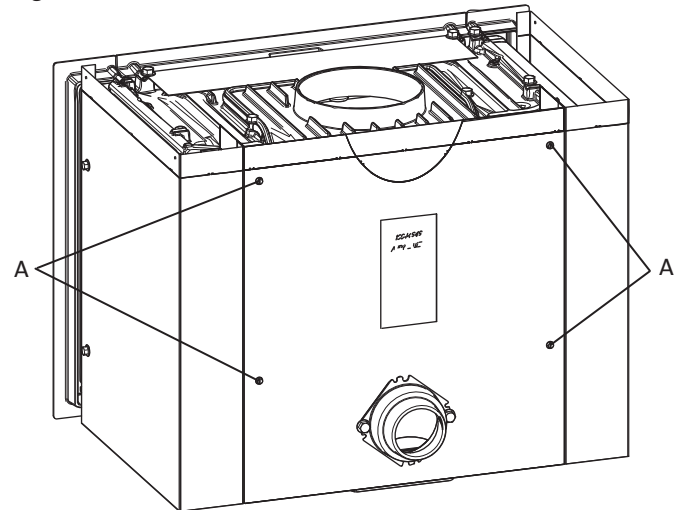
**Rear-installed smoke outlet (rotated 45°
from the outside)**



Top outlet

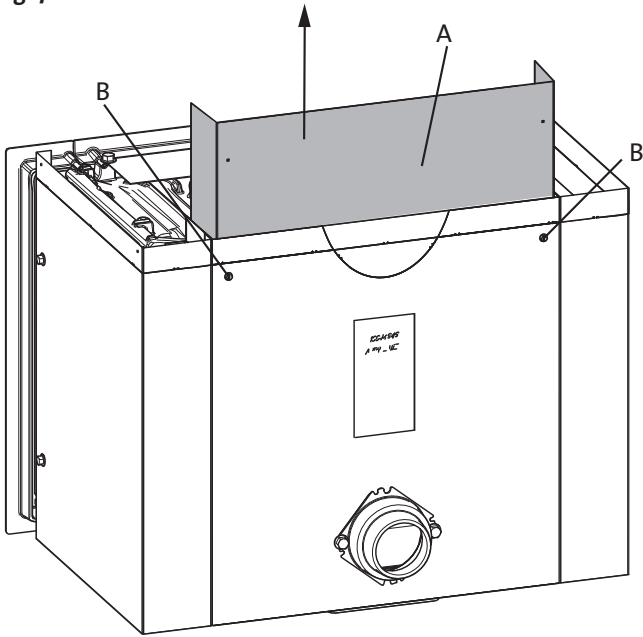
The product is factory-fitted for a top outlet. The inner rear heat shield should be raised to protect the rear wall against heat from the flue pipe.

Fig. 6



1. Loosen the four screws (A).

Fig. 7



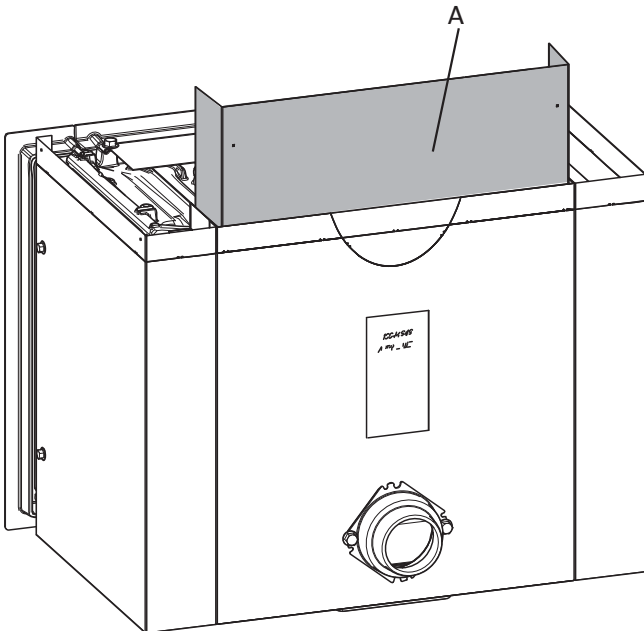
2. Pull the inner heat shield (A) up.
3. Secure it in place using the two upper screws (B).

Converting to a rear outlet

The smoke outlet can be converted to a rear outlet if necessary. The smoke bell can also be installed from the inside if the space where the burn chamber is to be installed is confined.

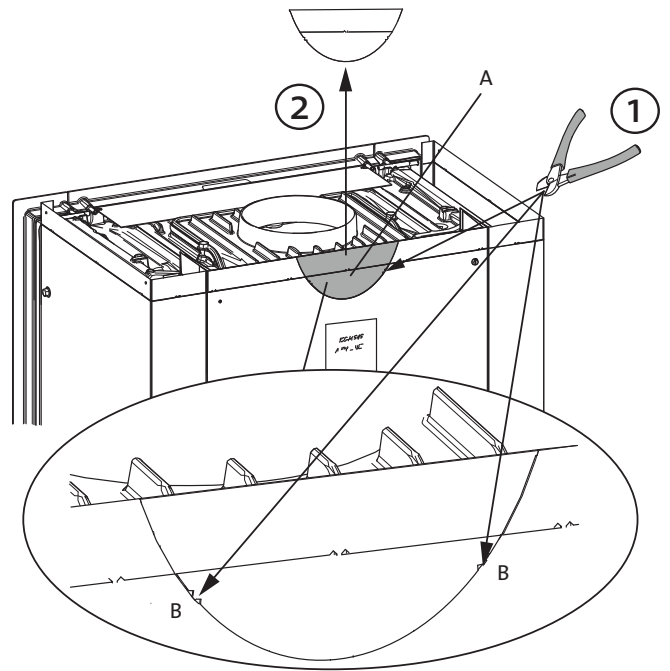
Remove the four screws that were mentioned in Fig. 6.

Fig. 8



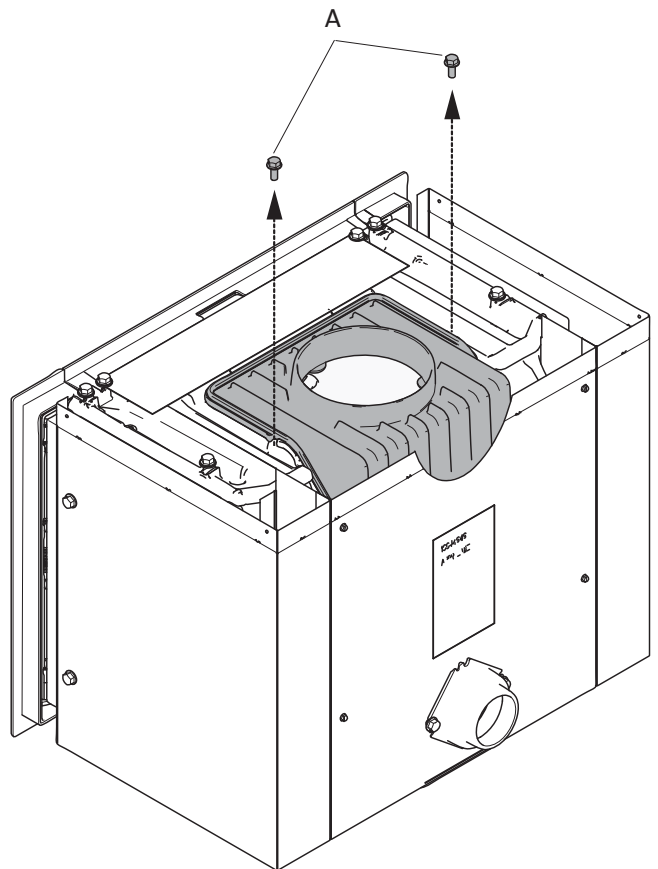
1. Remove the inner heat shield (A).

Fig. 9



2. If using a rear outlet, the curved section (A) must be removed first. Cut along the knock-out holes (B). Then snap off the knock-out section.

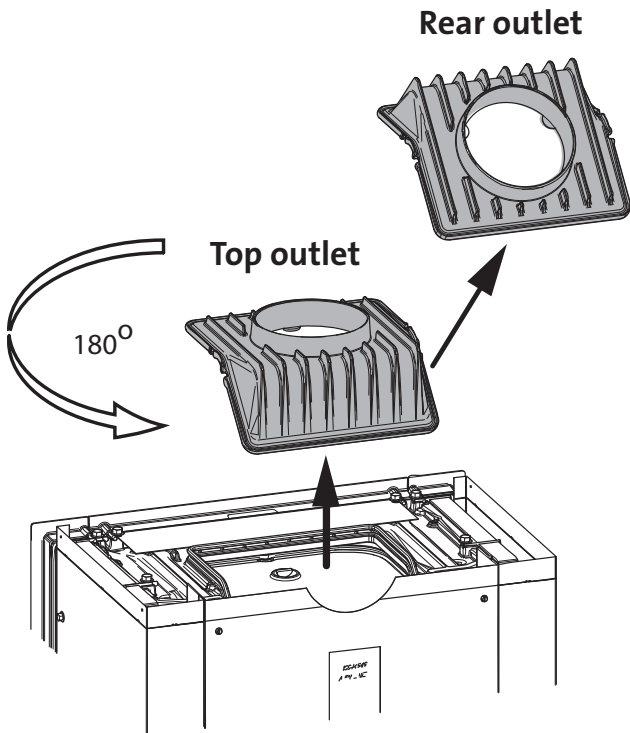
Fig. 10



3. Remove the two screws (A) that are holding the smoke bell to the burn chamber.

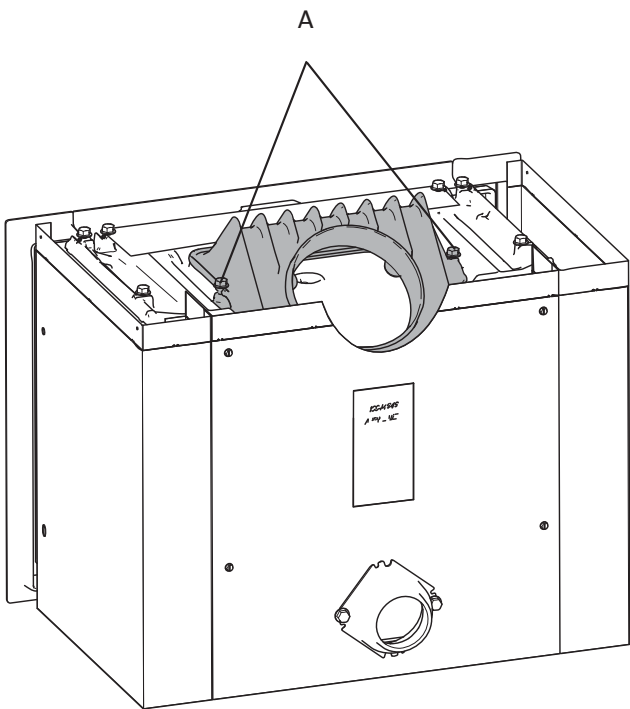
ENGLISH

Fig. 11



4. Lift the smoke bell up and rotate it 180°.

Fig. 12



5. Screw the smoke bell onto the burn chamber again using the same two screws (A).

4.9 Installation

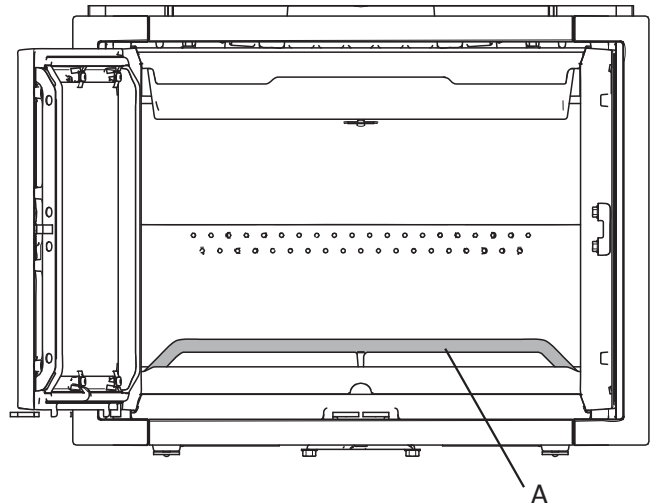
Installation of internal smoke bell

The product comes in four different models. The installation procedure depends on which model is being fitted:

For the following three models, follow **Figures 13 to 20**.

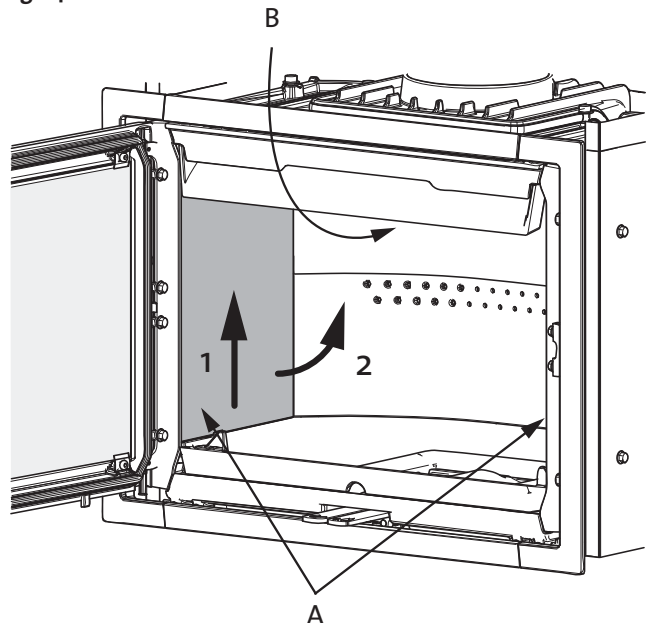
- For the Jøtul I 520 F (glass in the front), Jøtul I 520 FL (glass in the front and left side) and Jøtul I 520 FR (glass in the front and right side).
- For the Jøtul I 520 FRL (glass in front and on both sides), follow **Figures 14 to 20**.

Fig. 13



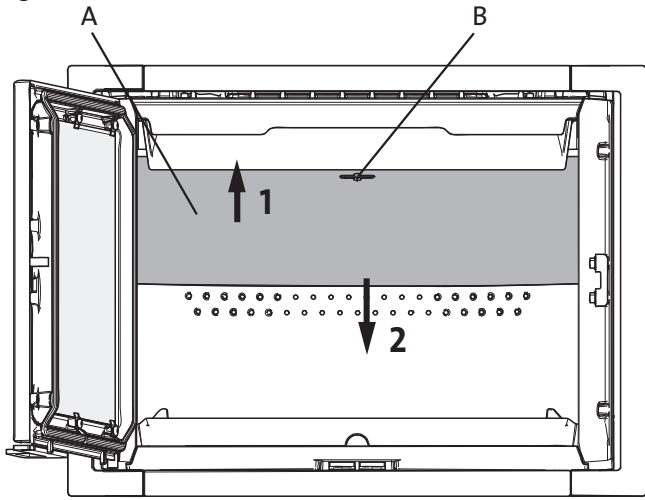
1. Open the door and remove the log retainer (A).

Fig. 14



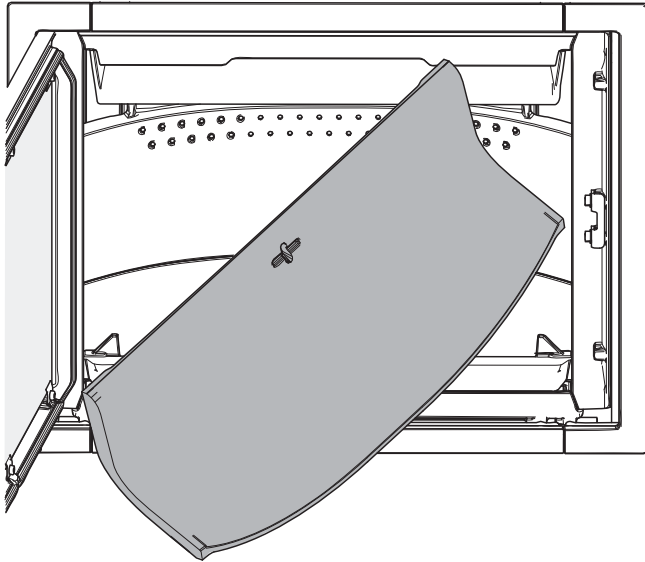
2. Remove the side burn plate (A) by lifting it up slightly while holding the baffle (B) up. Pull the side burn plate out at the bottom and pull it out. Then remove the other side burn plate in the same way.

Fig. 15



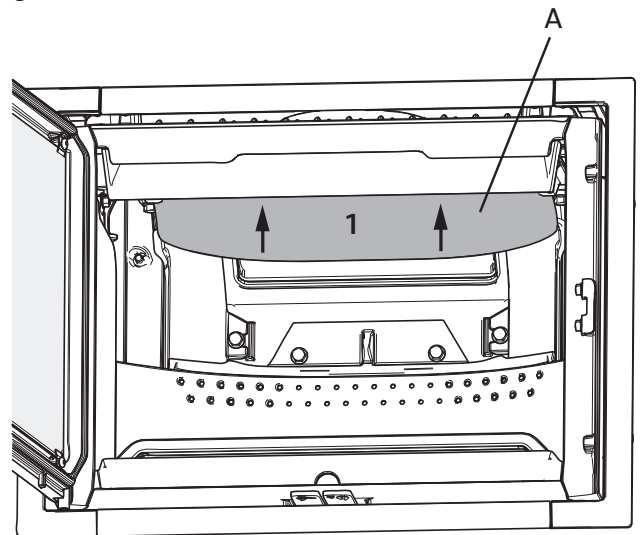
3. First lift the baffle (A) up. Turn the key (B) 90° and then remove the key. Pull the back edge of the baffle down.

Fig. 16



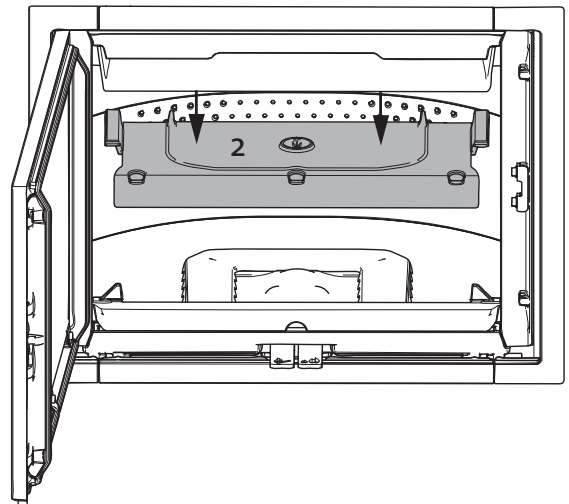
4. Turn one corner towards you and pull it out sideways.

Fig. 17



5. Then remove the exhaust deflector (A) by raising it slightly to begin with. Then push the exhaust deflector backwards.

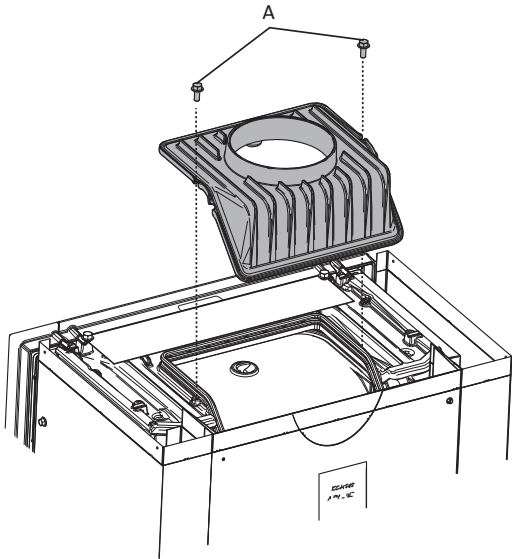
Fig. 18



6. Lower the exhaust deflector and lift it out.

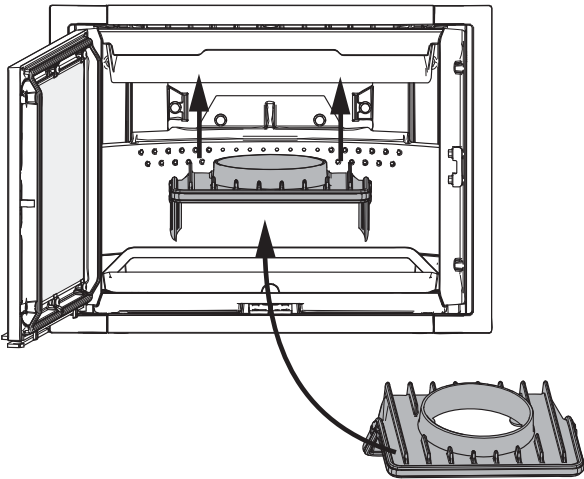
ENGLISH

Fig. 19



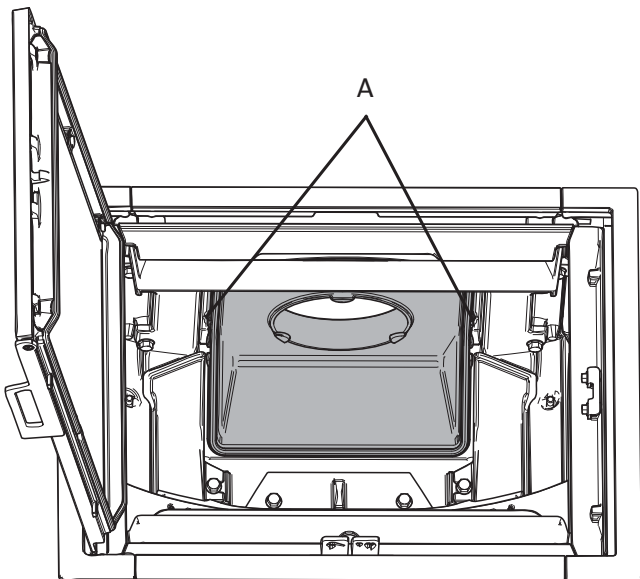
7. Remove the two screws (A) on either side of the smoke bell and lift it off.

Fig. 20



8. Secure the smoke bell from the inside.

Fig. 21

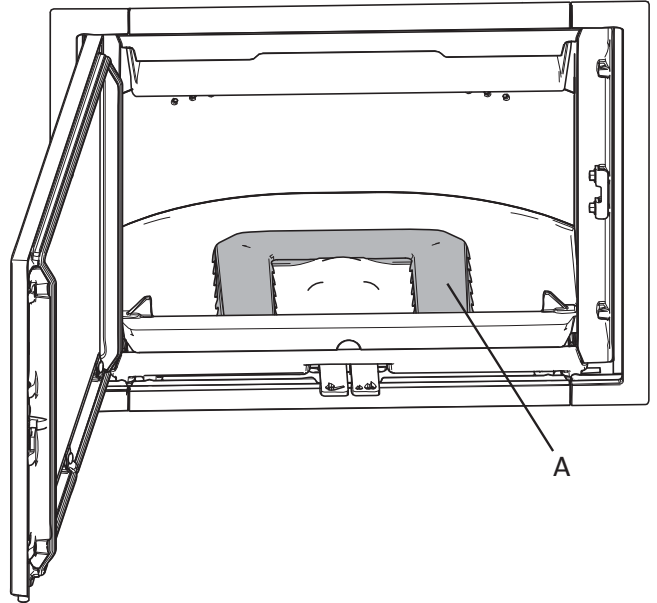


9. Screw the same screws (A) in from the inside.

Levelling the insert

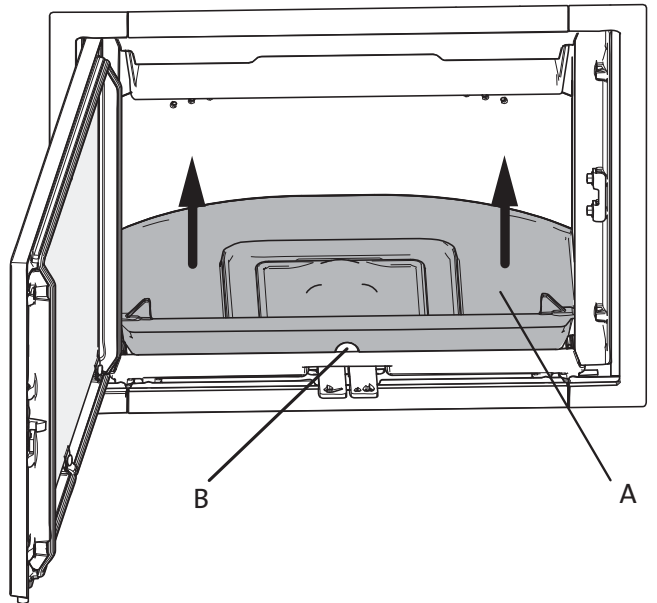
It is important that the insert is level when installing it inside a brick or prefabricated surround and hearth/open fireplace.

Fig. 22



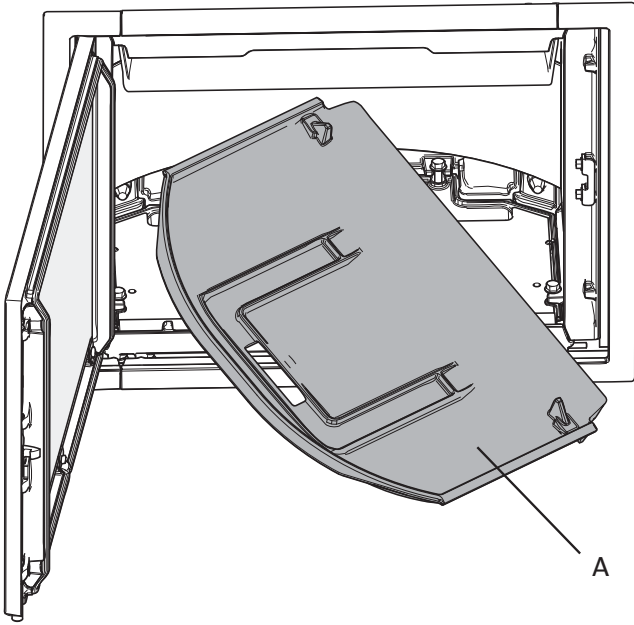
1. Lift the air duct (A) up and remove it.

Fig. 23



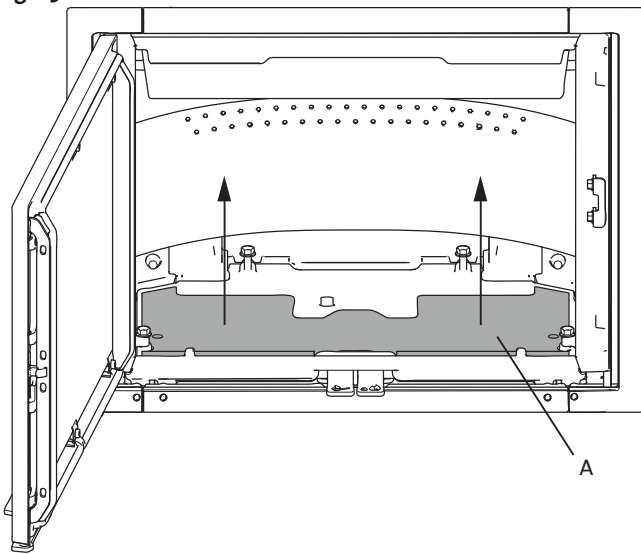
2. Take hold of the hole (B) at the front edge of the inner bottom (A) and lift it up.

Fig. 24



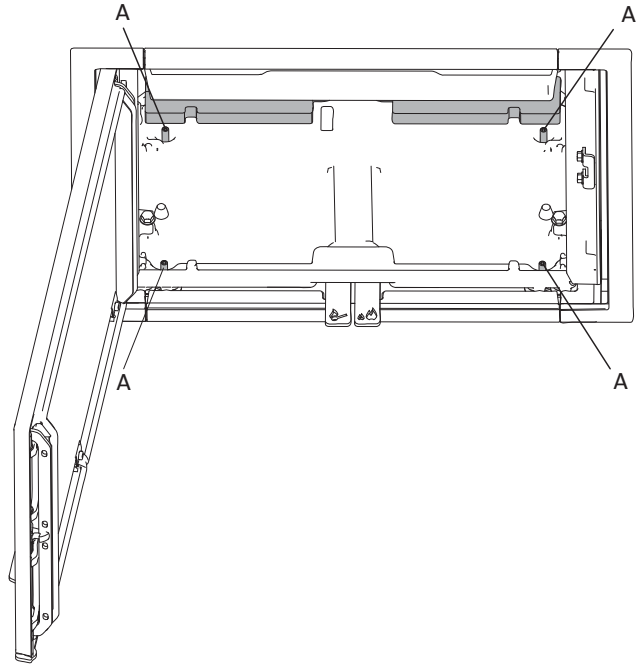
3. Turn one corner towards you and pull the inner bottom out.

Fig. 25



4. Lift the insulation sheet (A) up.

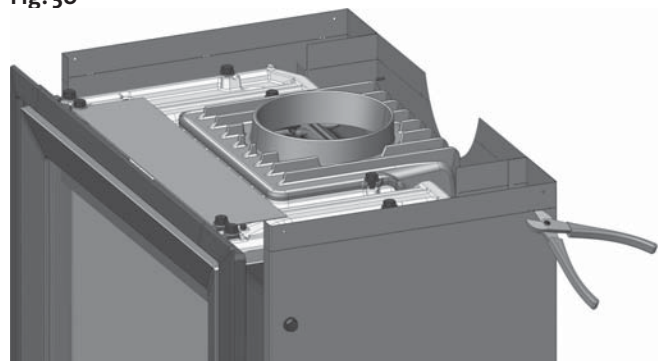
Fig. 26



5. Use the Allen key supplied to adjust the levelling screws (A) until the burn chamber is level and at the correct height.
6. Refit the exhaust deflector, the baffle and the side panels.

Placing an insert inside an open fireplace

Fig. 30



1. Cut along the knock-out holes at the top of the heat shield and remove that section.

ENGLISH

4.10 Installing inside an open fireplace

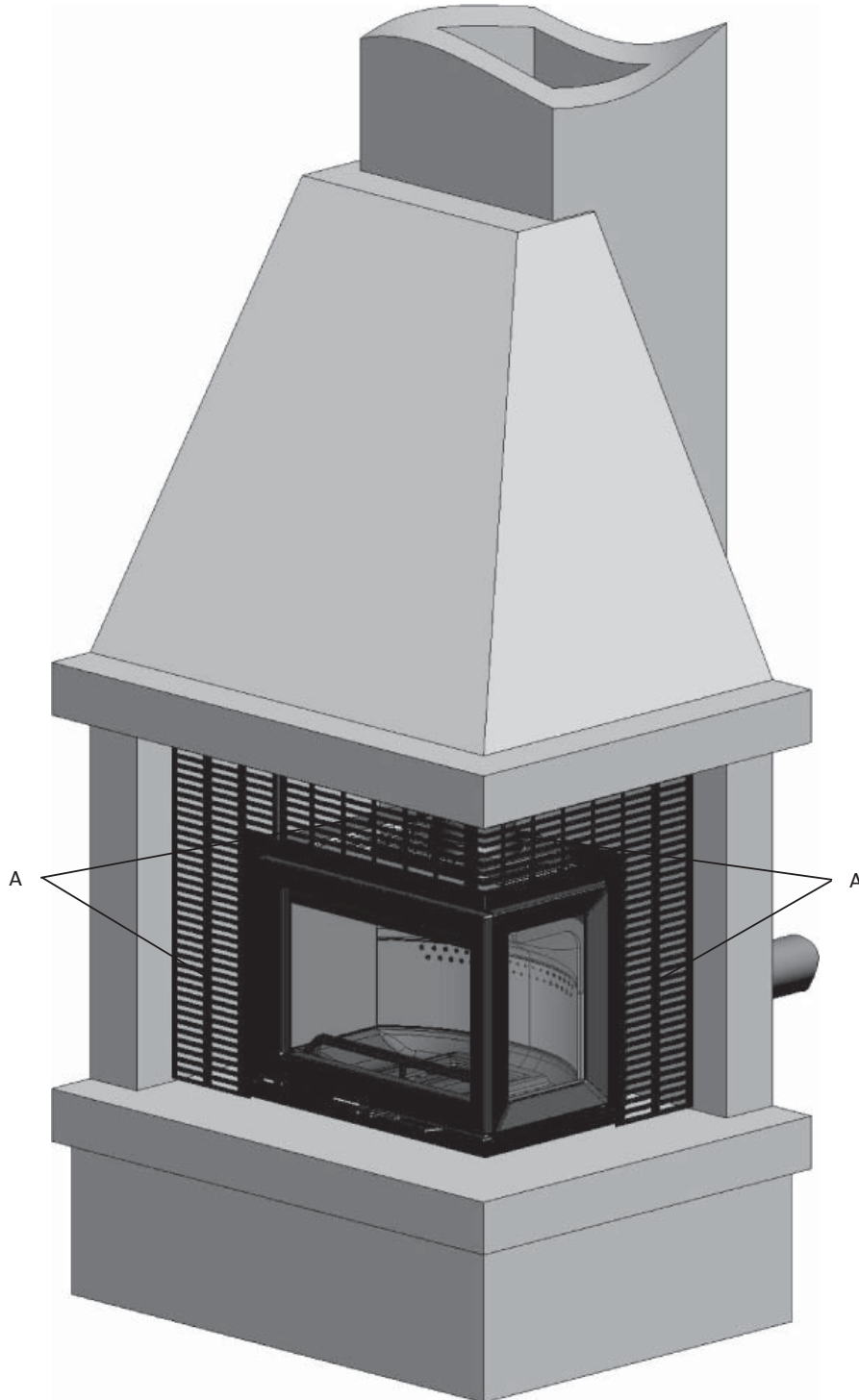
The Jøtul I 520 is designed to be placed inside a pre-existing, code-compliant masonry fireplace. The fireplace must satisfy the requirements regarding installation against combustible materials. It is important that the convection air openings are sufficiently large ($500 / 750 \text{ cm}^2$) to utilize the heat emission from the product.

There are several options for installation in hearths/open fireplaces. Here are three options:

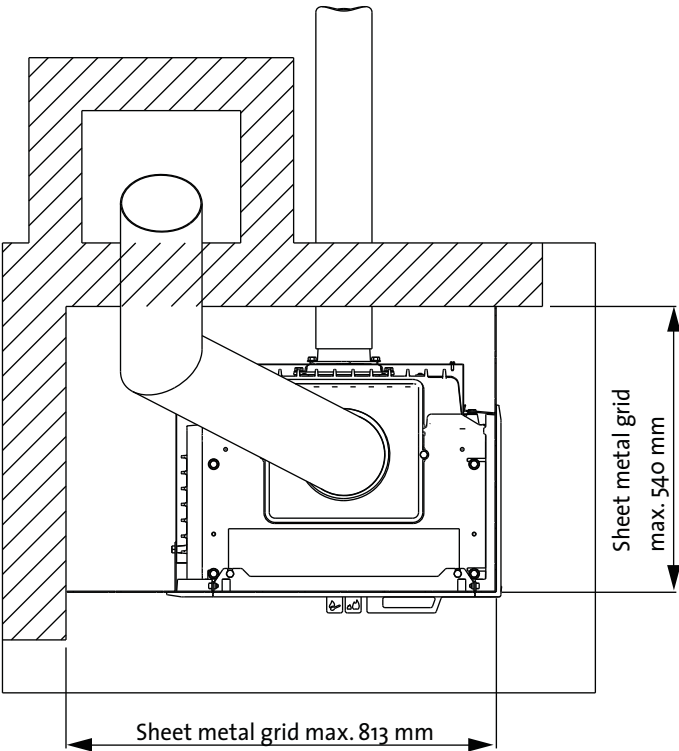
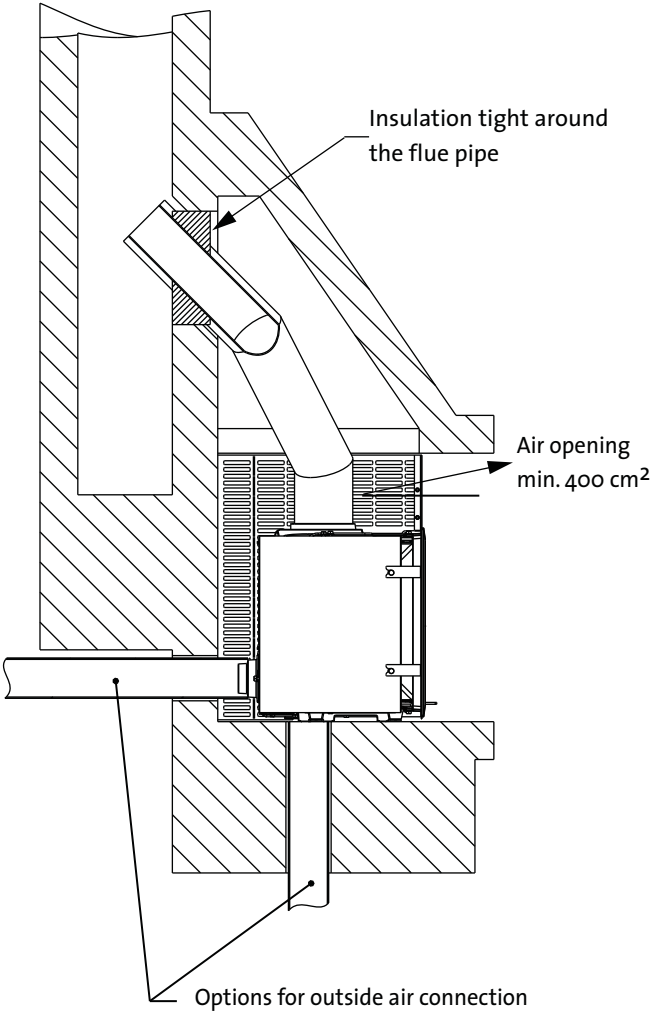
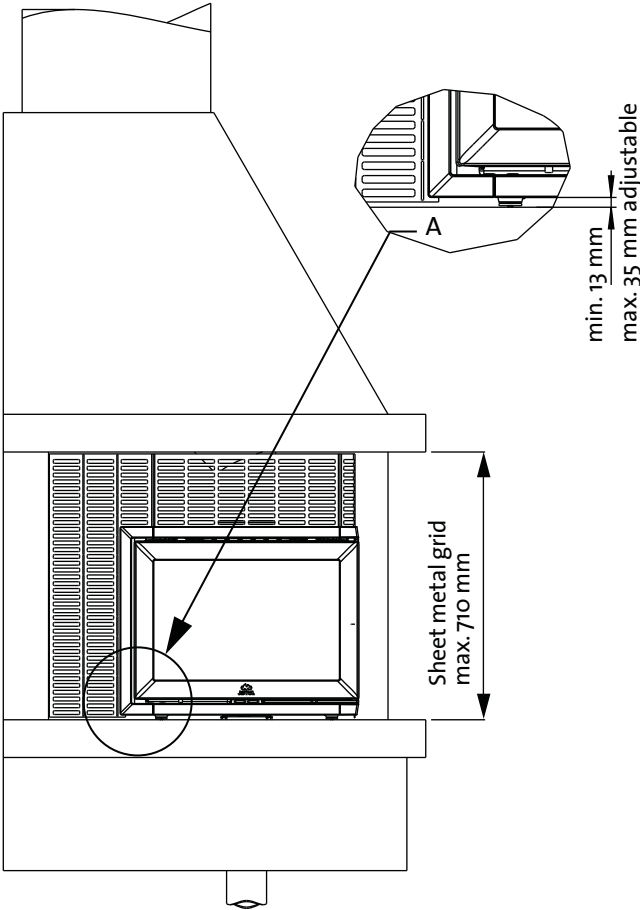
1) Placed in a corner with plenty of space

The illustration shows the Jøtul I 520 FR (glass in the door and on the right-hand side). In this example, a sheet metal grid is used (optional - item no. 50045748) to fill the space between the insert and the fireplace.

Fig. 27



The sheet metal grid (A) must be cut to fit the fireplace. See separate manual for instructions on how to fit the sheet metal grids.

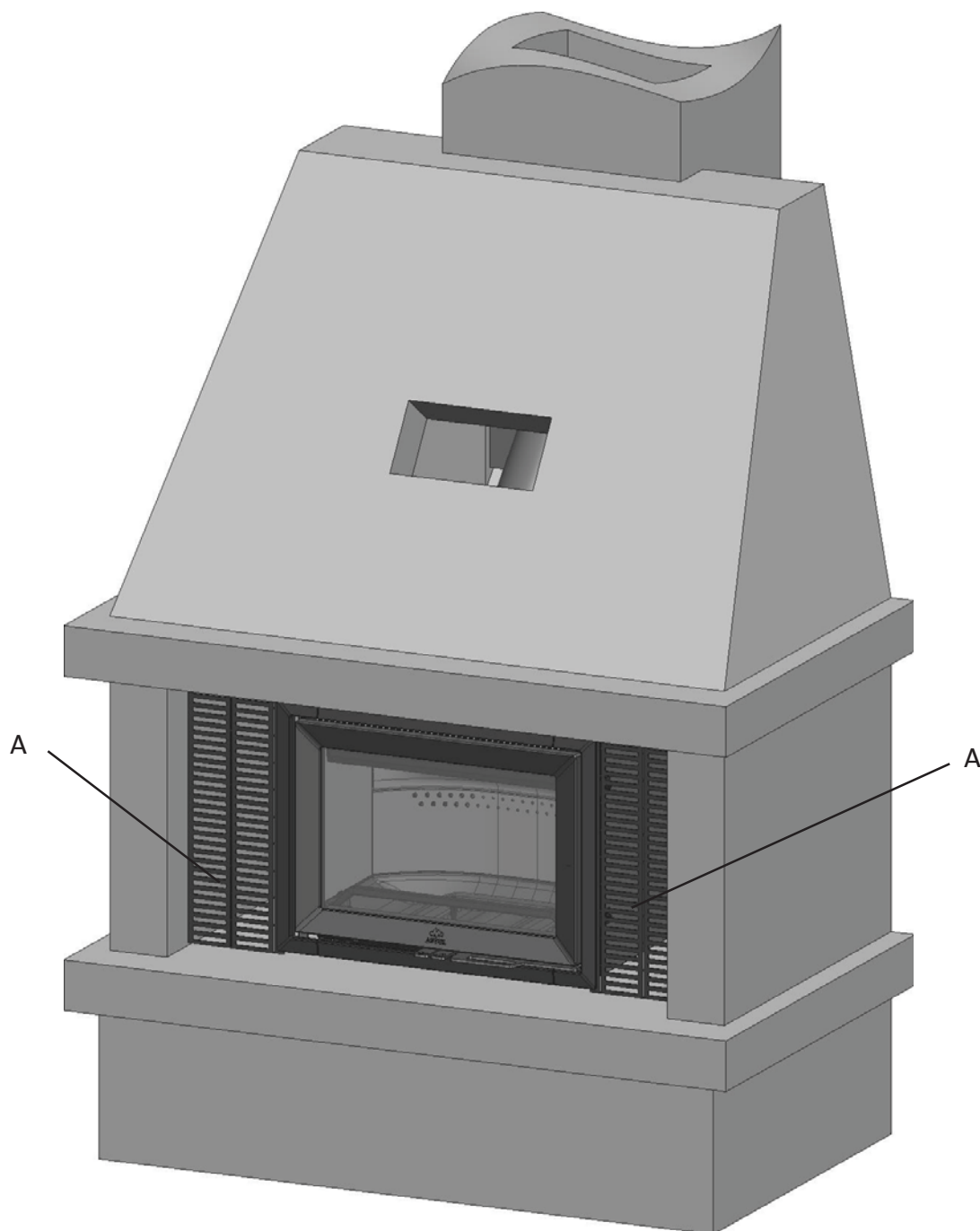


ENGLISH

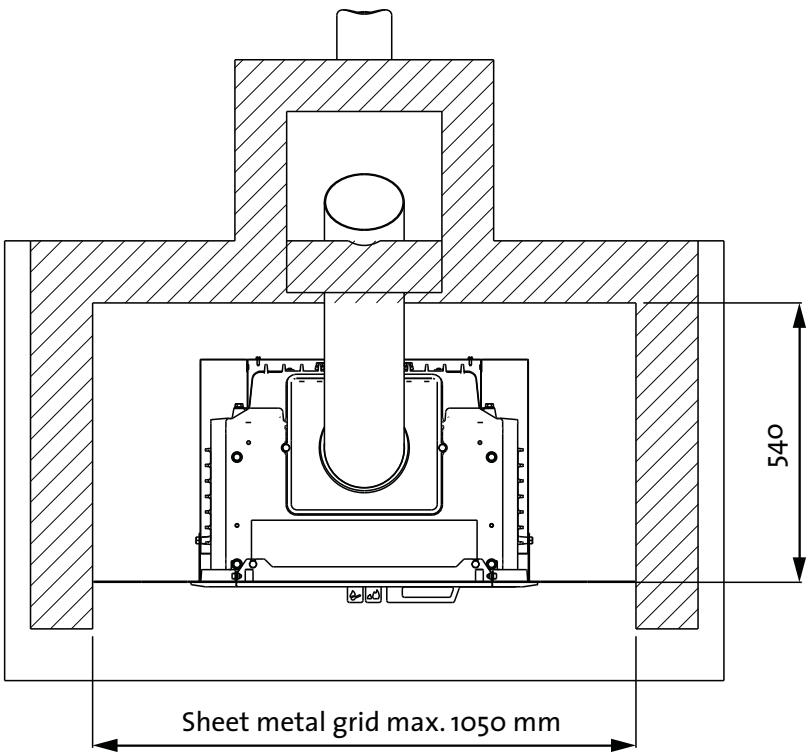
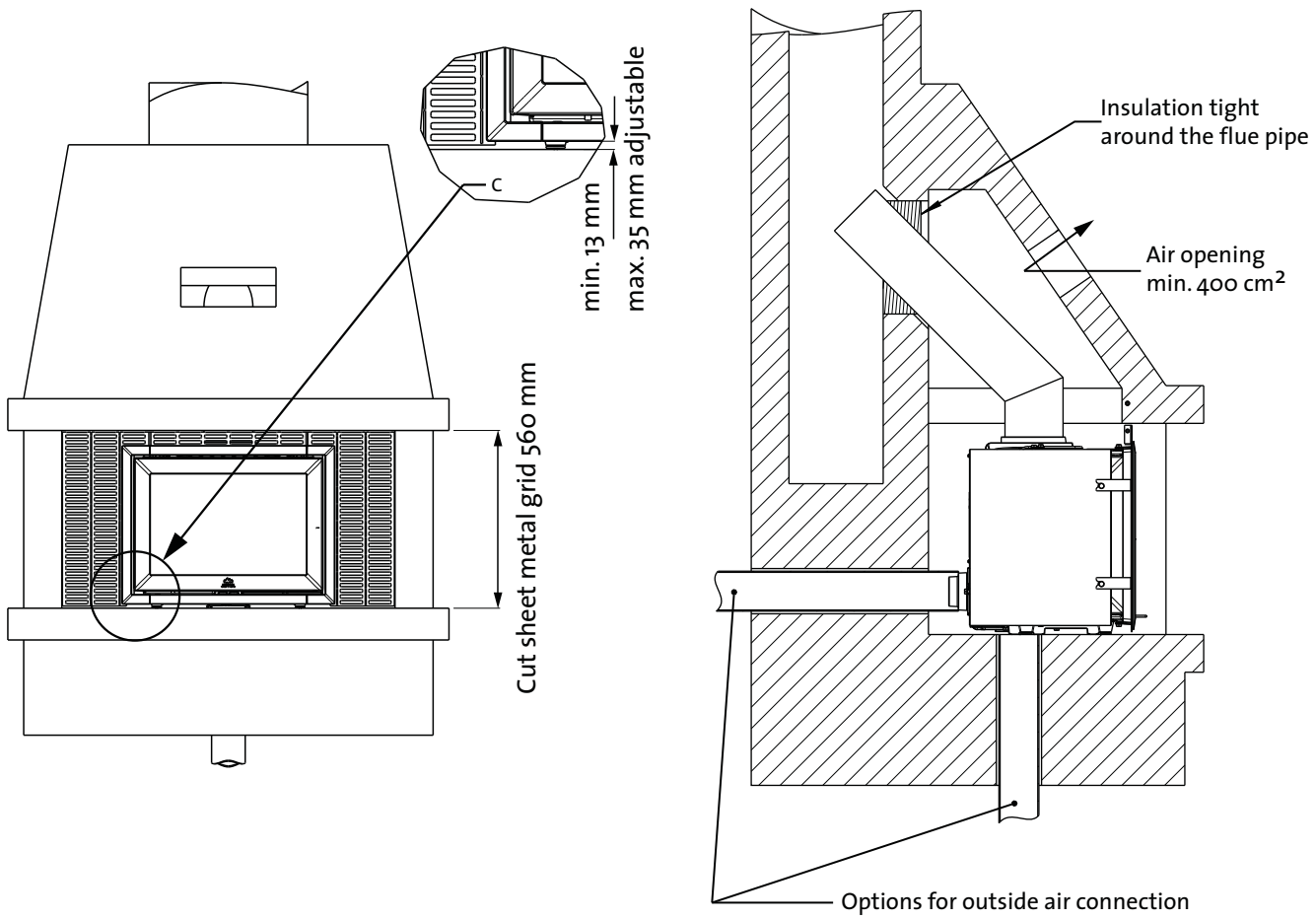
2) Installation in open fireplace

Installation against a straight wall with plenty of space at the sides, low height. The illustration shows the Jøtul I 520 F. In this example, a metal grille is used (optional - item no. 50045747) to fill the space between the insert and the fireplace.

Fig. 28



The sheet metal grid (**A**) must be cut to fit the fireplace. See separate manual for instructions on how to fit sheet metal grids.

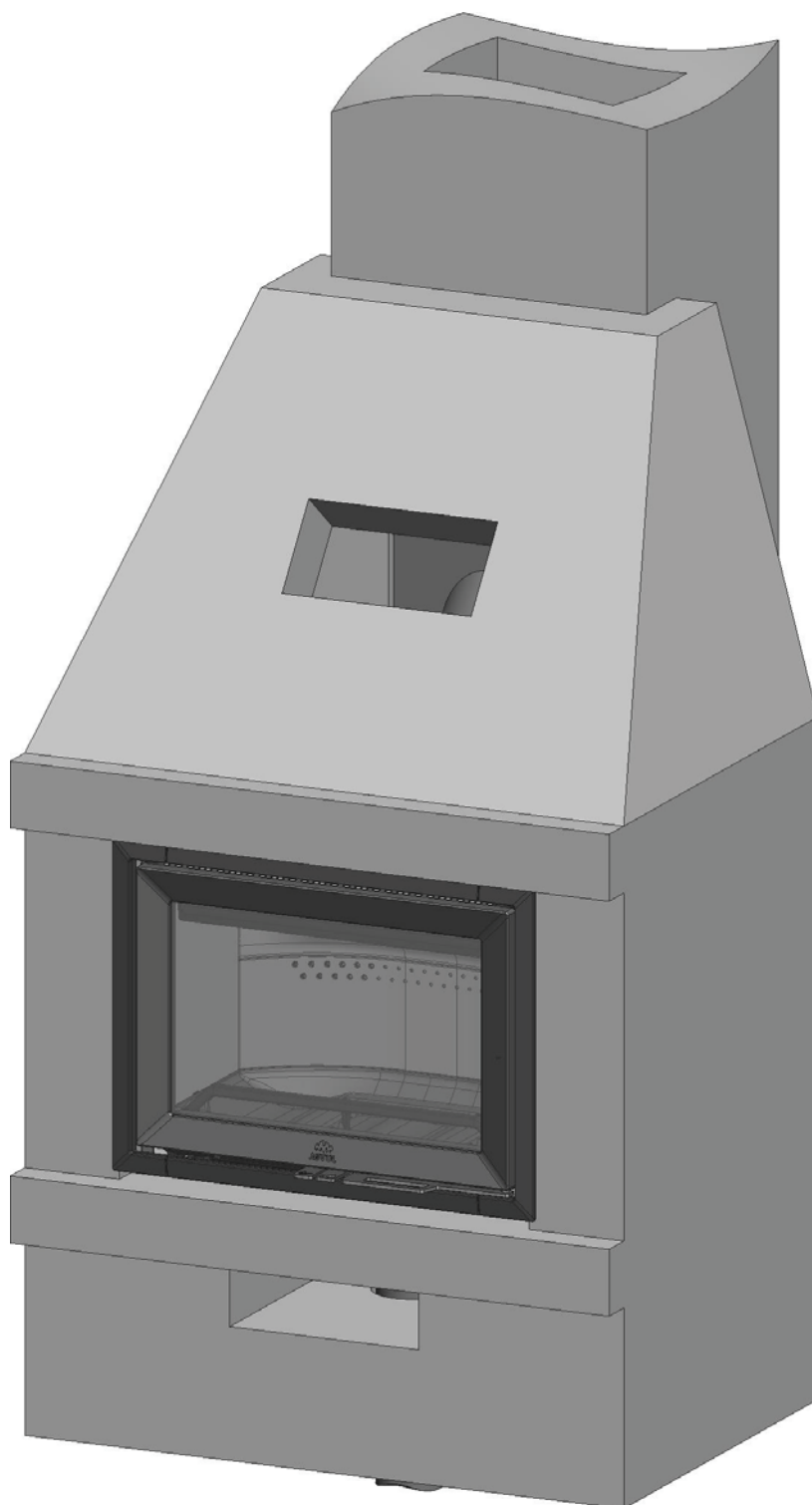


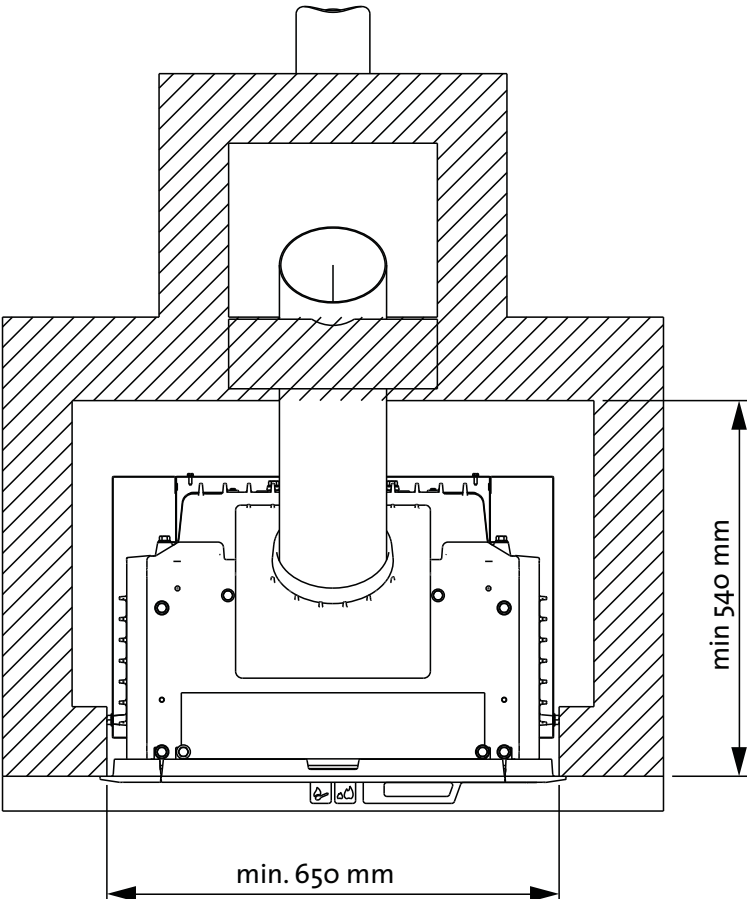
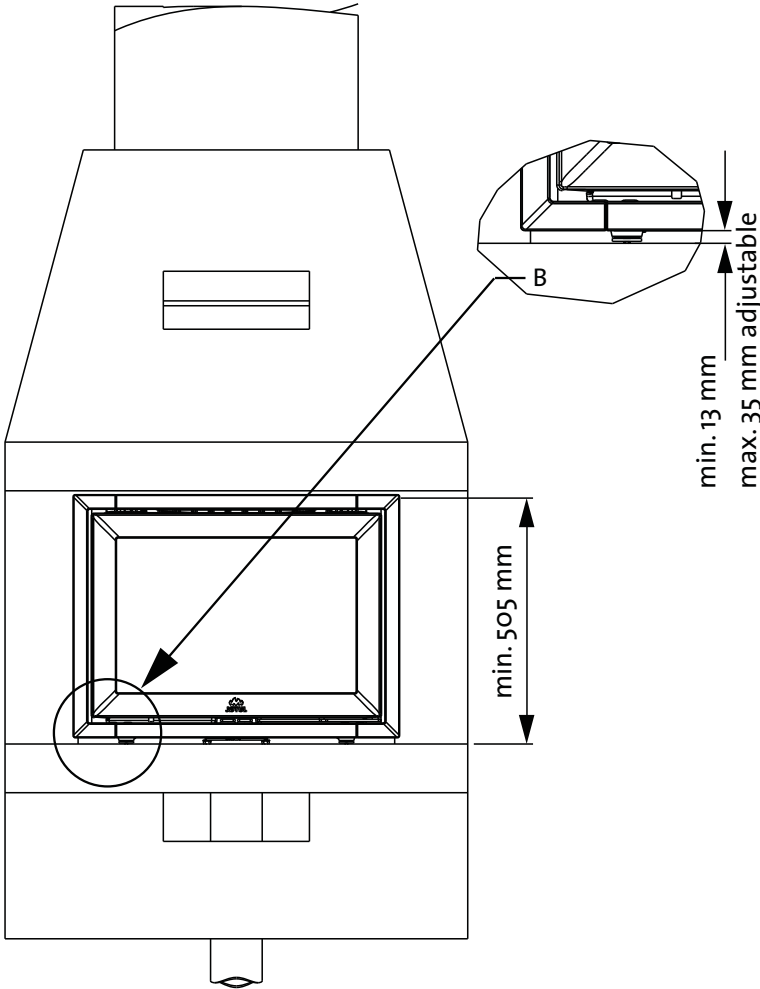
ENGLISH

3) Installation in open fireplace

Installation against a straight wall with little space directly in front. The illustration shows the Jøtul I 520 F with a smoke bell rotated 45° from the inside. See Fig. 29 for details.

Fig. 29





ENGLISH

Fig. 31

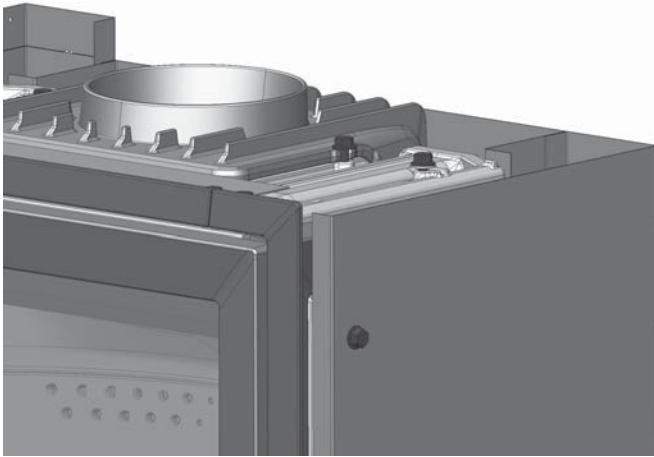
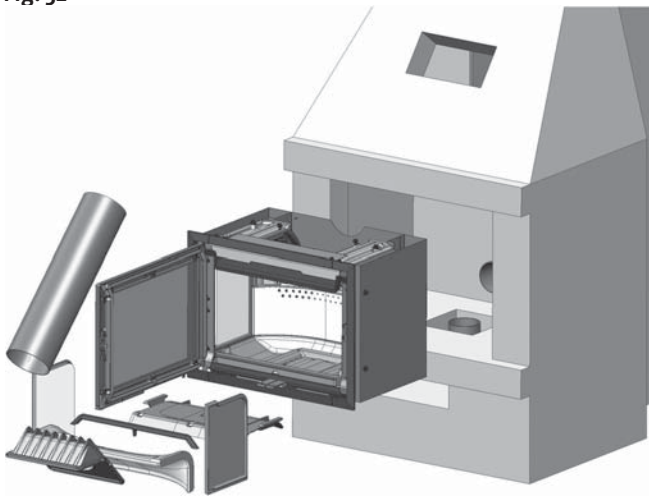
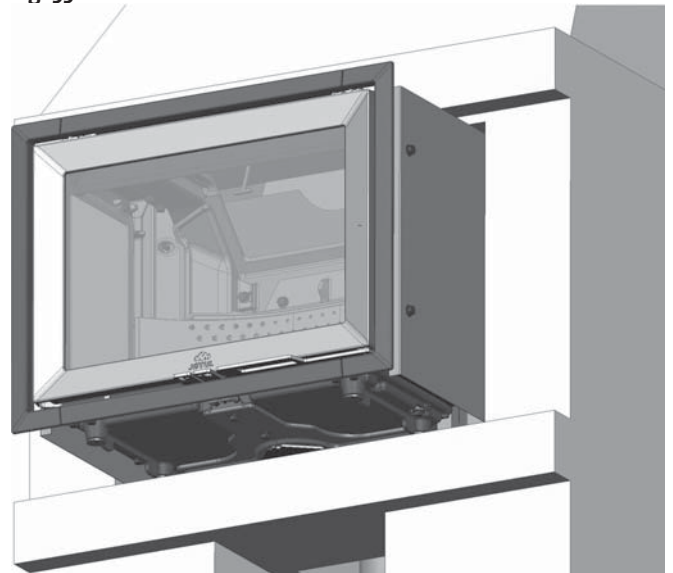


Fig. 32



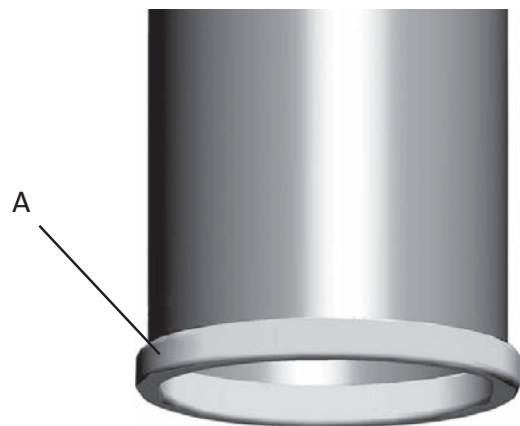
2. Before inserting the burn chamber inside the fireplace, remove the log retainer, side burn plates, back burn plate, baffle and exhaust deflector. These are fitted back into place when the flue pipe and smoke bell have been installed. See the figures below.

Fig. 33



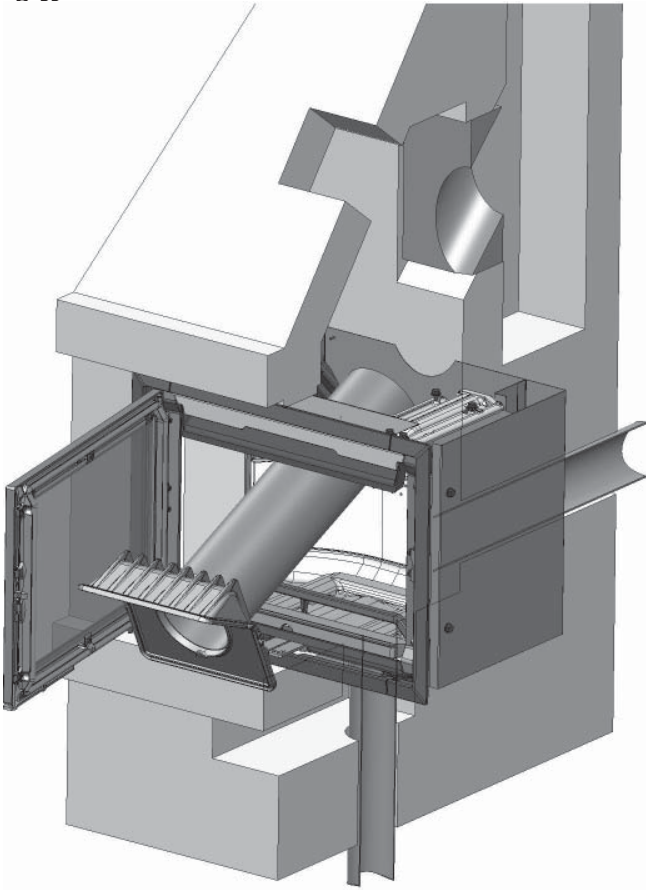
3. Slide the burn chamber in on the moulded runners on the bottom until it is in place. Level the burn chamber as described in "Levelling the insert".

Fig. 34



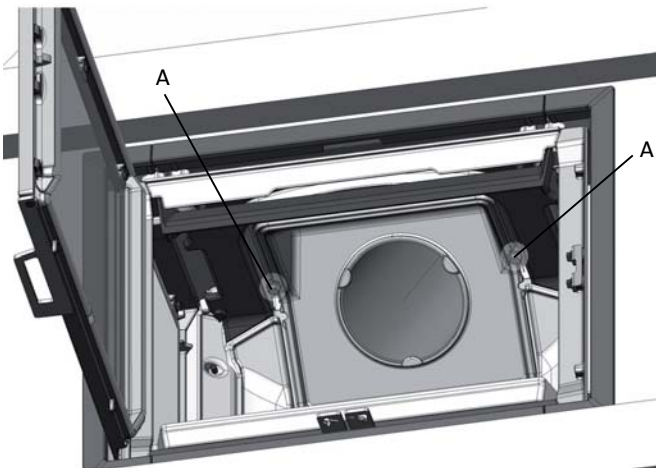
4. Fit the gasket (A) onto the edge of the flue pipe.

Fig. 35



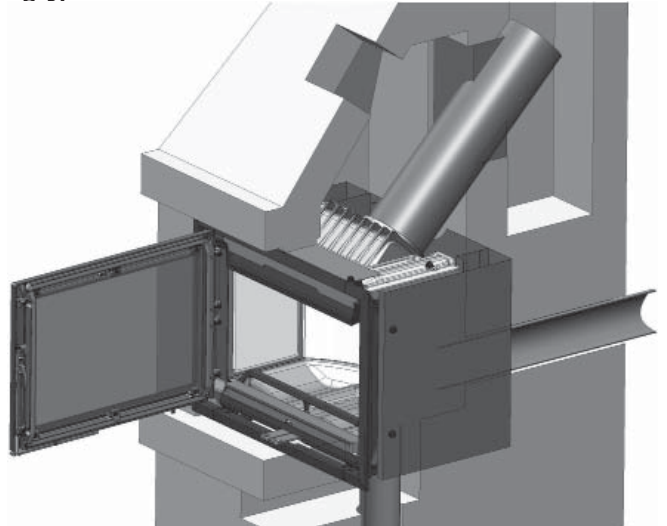
5. Attach the smoke bell (A) to the end of the flue pipe where the gasket is fitted.
6. Attach the flue pipe with the smoke bell on from the inside of the burn chamber.

Fig. 36



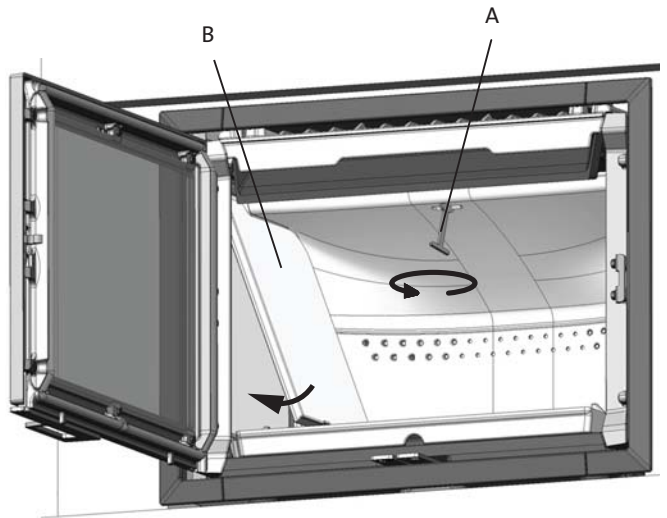
7. Then attach the smoke bell using the screws (A) that had previously been removed when it was taken off the top outlet.

Fig. 37



8. If installing as shown in example 3, we recommend threading the flue pipe in through the door opening of the burn chamber. Push the flue pipe with the smoke bell on in through the door opening and the opening for the smoke bell and any insulation material and up inside the chimney.

Fig. 38



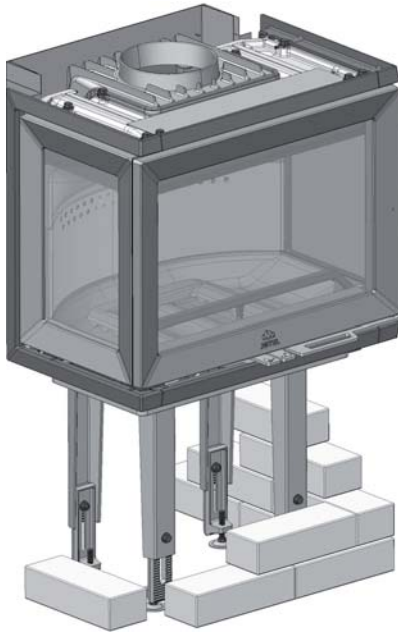
9. Push the key (A) up through the opening in the baffle, turn it and secure it.
10. Insert the side burn plates (B) into place.

ENGLISH

When building a brick surround

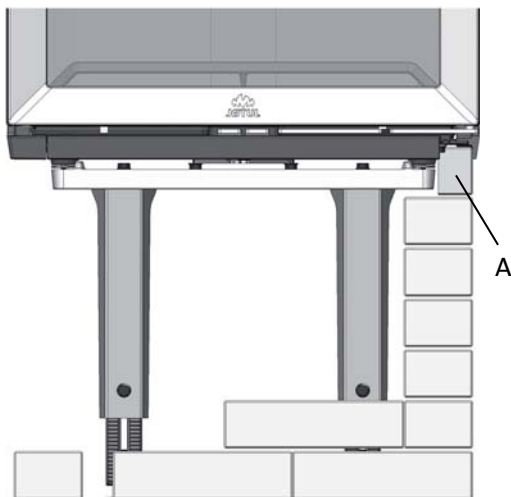
If building a brick surround, a leg rack (optional, item no. 51044759) must be used. NB: Maximum leg length must be used! See Fig. 1 e and 1 f. The base is designed so that space is left to the bricks on the inside of the frame that is provided.

Fig. 39



1. The bricks are laid so that they fit under the insert frame.

Fig. 40



2. The last bricks (A) are cut to fit between the leg base and the frame. NB: Remember to leave openings in the brickwork for convection air (Fig. 1 e and f).

5.0 Daily use

5.1 Control handles

Ignition vent (A)

This vent is used when lighting the fire and to get the fire going well when adding more wood. If continuously using hard wood, such as oak and beech, the ignition vent can be open 0% to 50%. If using soft wood, such as birch and pine, the ignition vent can be closed. Setting for normal use: 0% to 50%.

Through air or air vent (B)

The through air is preheated and added to the fire indirectly. The through air also flushes the glass to prevent the formation of soot. Soot may form on the glass if the through air control is set too low. The heat output is determined by the through air. Setting for normal use: 40% to 70%.

Clean Burn Technology

The Jøtul I 520 incorporates clean burn technology. The air passes through a specially-designed duct system. This ensures optimal combustion of the gases that are released during the burning process. The pre-heated air passes into the burn chamber through the small holes in the back burn plate of the chamber. The airflow is determined by the combustion rate and cannot therefore be regulated.

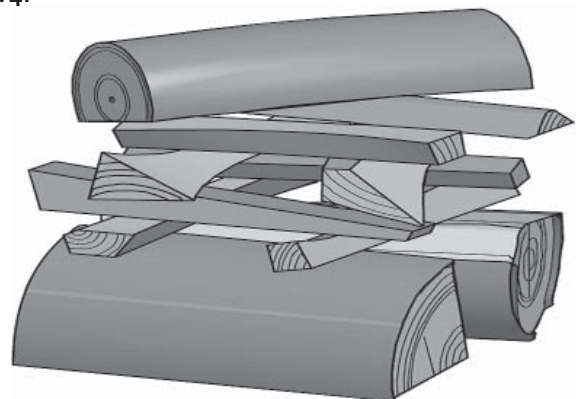
5.2 Lighting the fire

Important!

Please note that if too little wood is used when lighting the fire, or if the pieces of wood are too large, it will not be possible to attain the optimum working temperature in the burn chamber. This can result in poor combustion and may lead to a heavy build-up of soot, or cause the fire to die out when the door is closed.

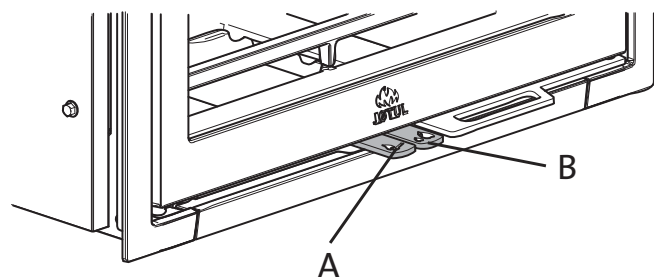
If the house has a mechanical ventilation system, the pressure inside the house is negative and the fireplace does not have an outside air connection, open a window near to the stove before lighting a fire. Let the window remain open for a minute or two until the fire has begun to burn properly.

Fig. 41



- Place two medium-sized logs on each side at the bottom of the burn chamber. NB: In order to avoid a build-up of soot on the glass, it is important not to let the logs touch the glass.
- Place firelighters or bark off the birch wood between the logs. Stack some finely split wood on top in a criss-cross pattern. Light the fire.

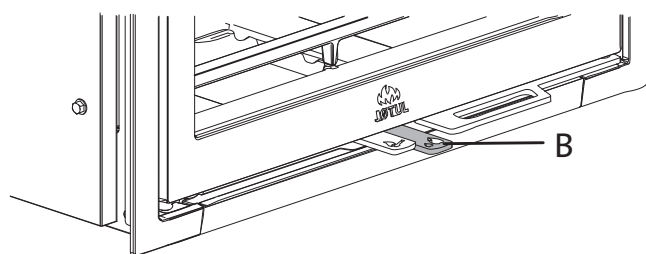
Fig. 42



- Pull out the ignition vent (A) (the air vent (B) automatically follows).

5.3 Stoking the fire

Fig. 43



- To be able to control the heat output, it is important to have a thick layer of embers and a high temperature in the burn chamber. Stoke the fire with more wood when it has burned down to embers. **NB: Use a glove or something similar to protect your hand in case the handles are hot.**
- Open the door slightly and allow the pressure in the burn chamber to even out for a few seconds before opening the door fully. This prevents smoke and ash from spilling out. Never put on more wood while the fire is burning well.
- Stoke with 2 or 3 logs that together weigh about 2 kg. To ensure optimal combustion, logs must NOT be higher than the upper holes in the rear plate.
- Close the door.
- Leave the ignition vent and the air vent open for 2 or 3 minutes until the logs have turned black and are burning well. Then adjust the ignition and air vents to 40% to 70%.
- The conditions for controlling combustion vary depending on the temperature in the burn chamber and the draught in the chimney.

Important! It is important to get the wood burning quickly and we therefore recommend that you open up the air supply. Burning at too low a temperature and with too little air can in some cases cause gas ignition which may damage the stove.

Warning against overheating

Never overheat the fireplace

The fireplace has been designed and tested for use at a nominal output of 7 kW. This corresponds to a combustion rate of about 2.3 kg of wood per hour.

The maximum amount each time is 3.4 kg per hour (3-4 logs at a time).

Important!

- Never have a fire burning with the ignition vent fully open for any length of time. A sure sign of overheating is when parts of the stove glow red. If this happens, reduce the air vent opening immediately.
- Seek professional advice if you suspect that the chimney is not drawing properly (too much/too little draught).

Odours when using the fireplace for the first time

When the fireplace is used for the first time, it may emit an irritating gas which may smell slightly. This is because the paint on the outside is drying. The gas is not toxic but you should open some windows to ensure the room is thoroughly ventilated. Let the fire burn with a high draught until all traces of the gas have disappeared and no smoke or odours can be detected.

5.4 Fuel requirements

Wood quality

Chopping and storing wood

- You can use any type of wood as firewood. However, harder types such as beech and ash are generally better as they burn more evenly and create less ash. Other wood types, like maple, birch and spruce, also make excellent firewood.
- Firewood is best if you fell the tree and saw and split the wood before May 1st.
- Remember to cut the logs to the size of your stove's combustion chamber. We recommend a diameter of 6 to 10 cm and the length should be about 10 - 20 mm shorter than the combustion chamber, to leave enough space for air to circulate. Logs with a larger diameter than this will need splitting before use. Split wood dries faster.
- Sawed and split logs should be stored in a dry place for 1 to 2 years before they are sufficiently dry to use.
- It's a good idea to bring logs in to stand at room temperature for a few days before using them.

Moisture

To avoid environmental problems and to ensure optimum burning efficiency, the wood must be completely dry before it is used as firewood:

- The moisture content should not be more than 20%.
- A moisture content of between 15% and 18% yields best results. An easy way to check if wood is dry is to knock two logs together. If the wood is damp, the logs will sound dull when knocked together.
- If the wood used is too damp, most of the heat it produces will be used to evaporate the water. The stove does not heat up and does not heat the room. This is not economical. It also causes soot to build up on the glass, in the burn chamber and in the chimney. Burning damp wood also causes pollution.

ENGLISH

Be especially careful never to use the following materials as fuel in your fireplace:

- Household rubbish, plastic bags, etc.
- Painted or impregnated timber (which is extremely toxic).
- Laminated wooden planks.
- Driftwood

These may harm the product and are also pollutants.

NB: Never use petrol, paraffin, methylated spirit or similar liquids to light the fire. You may cause serious injury to yourself and damage to the product.

5.5 Wood consumption

Wood consumption, at nominal heat output: Approx. 2.3 kg/h.

The size of the logs should be:

Kindling (finely split wood):

Length: 30 - 50 cm

Diameter: 6 - 10 cm

Quantity for kindling: 3 logs weighing 0.6-0.8 kg each and 10 to 12 sticks weighing about 1 kg in total.

Stoking the fire:

Wood (split wood):

Length: 30 - 50 cm

Quantity required each time: 2 or 3 logs weighing 0.7 kg each, i.e. 1.5-2.0 kg each time.

Stoking frequency: Approx. 50 minutes

Nominal heat output is achieved when the air vent is open approximately 40% to 70% and the ignition vent is open 0% to 50%.

When testing in accordance with the EN 13229 standard, the amount used is 3 pieces of 1.7 kg.

Vent setting: 50% opening of the ignition vent and 50% opening of the air vent.

6.0 Maintenance

6.1 Cleaning the glass

The product is equipped with an air wash for the glass. Air is sucked in through the air vent on the top of the product and down along the inside of the glass.

Good advice! For normal cleaning, moisten a paper towel with warm water and add some ash from the burn chamber. Rub it over the glass and then clean the glass with clean water. Dry well. If it is necessary to clean the glass more thoroughly we recommend using a glass cleaner (*follow the instructions on the bottle*).

6.2 Ash removal

- Only remove ash when the fireplace is cold.
- Use a scoop or similar to remove the ash through the door.
- Always leave some ash as a protective layer on the bottom of the fireplace.

6.3 Cleaning and soot removal

Soot deposits may build up on the internal surfaces of the fireplace during use. Soot is a good insulator and will therefore reduce the fireplace's heat output. If soot deposits accumulate when using the product, they can easily be removed by using a soot remover.

An annual internal cleaning is necessary to get the best heating effect from your product. It is a good idea to do this when cleaning the chimney and flue pipes.

6.4 Sweeping flue pipes to the chimney

Flue pipes must be swept through the flue pipe sweeping hatch or through the door opening.

6.5 Inspection of the fireplace

Jøtul recommends that you carefully inspect your fireplace yourself after it has been swept/cleaned. Check all visible surfaces for cracks. Also check that all joints are sealed and that the gaskets are in the correct position. Any gaskets showing signs of wear or deformation must be replaced.

Thoroughly clean the gasket grooves, apply ceramic glue (available from your local Jøtul dealer) and press the gasket well into place. The joint will dry quickly.

6.6 Exterior maintenance

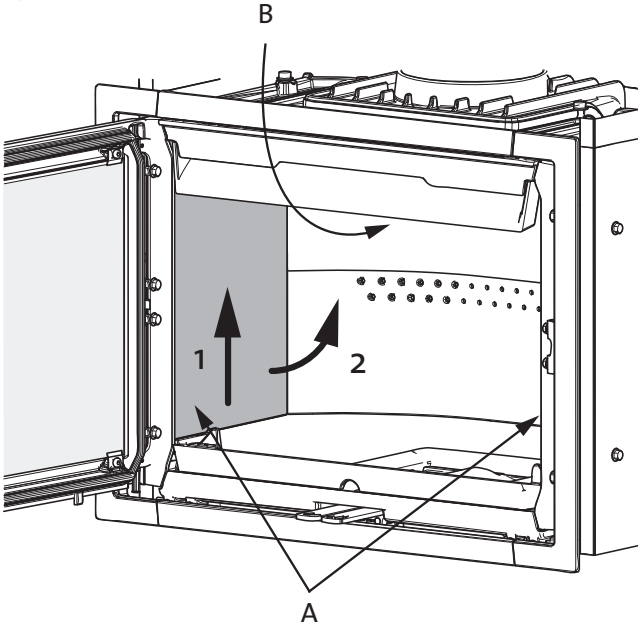
Painted products may change colour after several years' usage. The surface should be cleaned and brushed free of any loose particles before new paint is applied.

7.0 Servicing

Warning! Any unauthorised changes to the product are illegal!
Only original spare parts may be used!

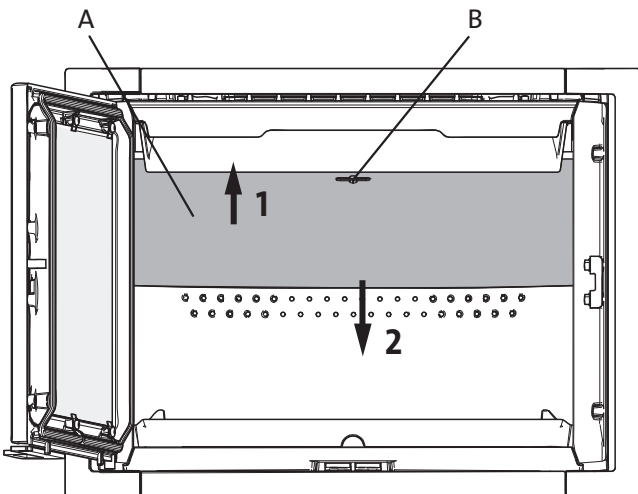
7.1 Replacing the burn plates, baffle and exhaust deflector

Fig. 44



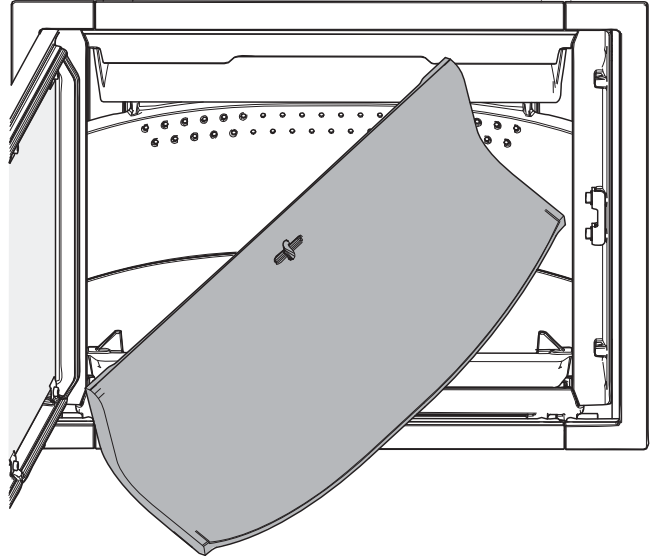
1. First remove the log retainer (Fig. 13 A).
2. Remove the side burn plate (A) by lifting it up slightly while holding the baffle (B) up. Pull the side burn plate out at the bottom and lift it out.
3. Then lift out the other side burn plate while holding the baffle up in the same way as for the first side burn plate.

Fig. 45



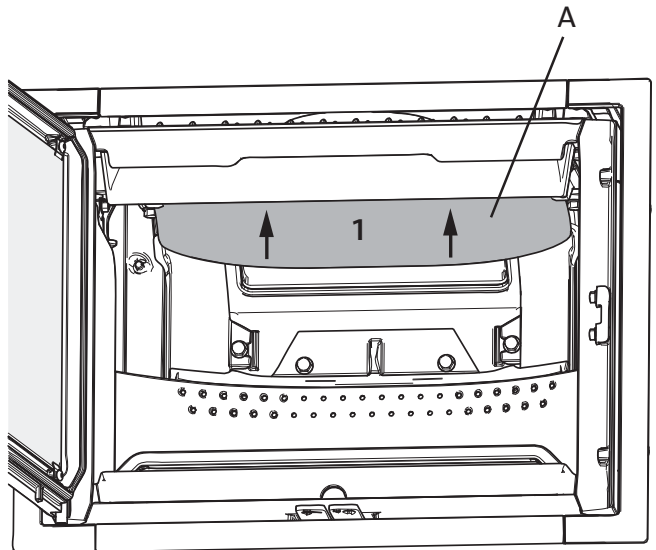
4. First lift the baffle (A) up. Turn the key (B) 90° and then remove the key. Pull the back edge of the baffle down.

Fig. 46



5. Turn one corner towards you and pull it out sideways.

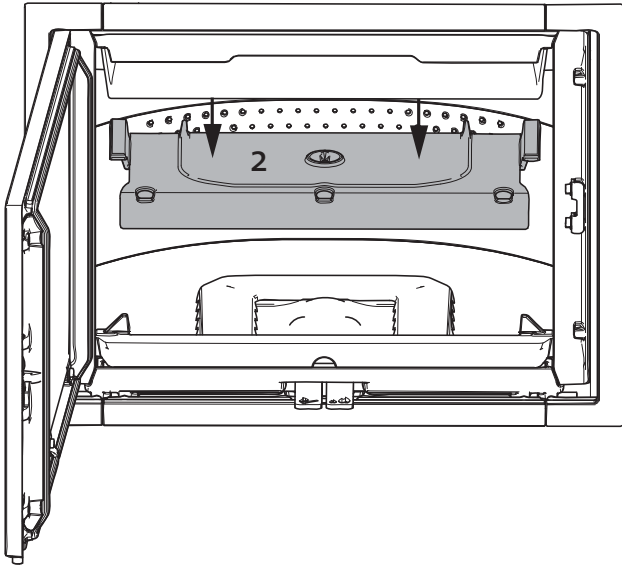
Fig. 47



6. Then remove the exhaust deflector (A) by raising it slightly to begin with. Then push the exhaust deflector backwards.

ENGLISH

Fig. 48

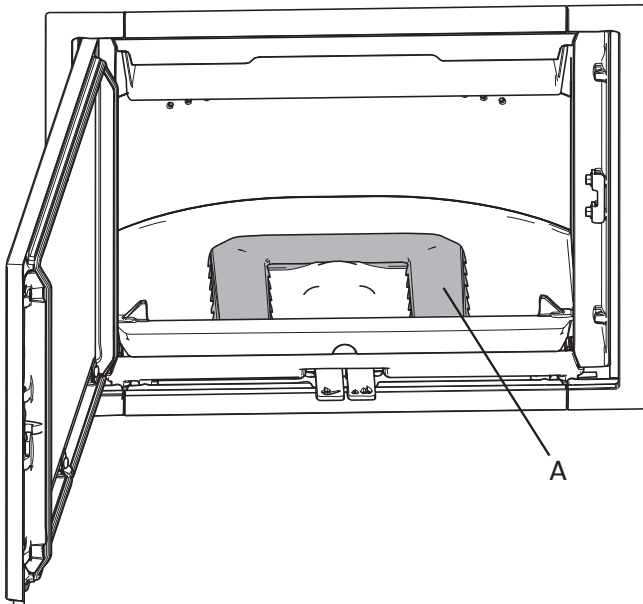


7. Lower the exhaust deflector and lift it out.
8. When refitting, follow the same procedure in reverse order.

7.2 Replacing the air duct and inner bottom

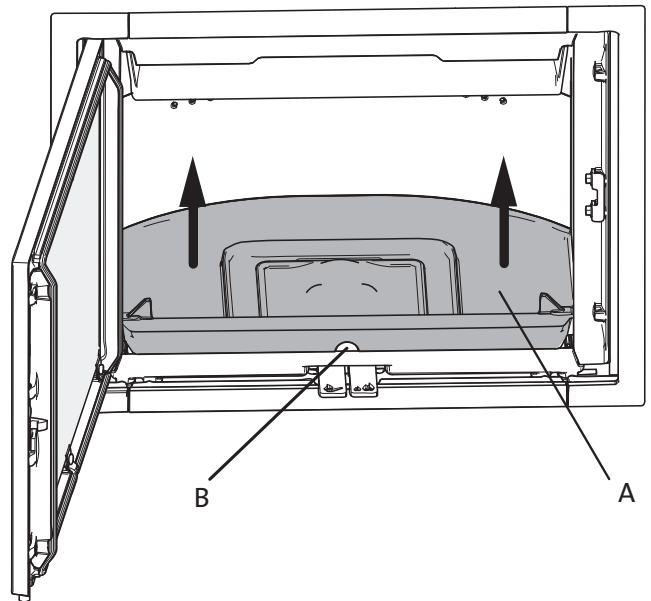
It is important that the insert is level when installing it inside a brick or prefabricated surround and hearth/open fireplace.

Fig. 49



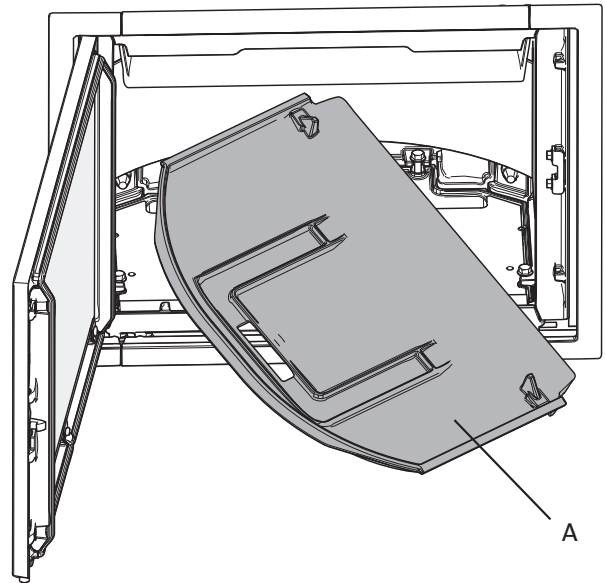
1. Lift the air duct (A) up and remove it.

Fig. 50



2. Take hold of the hole (B) at the front edge of the inner bottom (A) and lift it up.

Fig. 51



3. Turn one corner towards you and pull the inner bottom out.
4. When refitting, follow the same procedure in reverse order.

8.0 Optional extras

8.1 Leg Rack, complete

Item no. 51044759

8.2. Door lock, complete, left

For right-hinged door

Item no. 50045754

8.3 Frames

Frame for the Jøtul I 520 F

Item no. 50045750

Frame for the Jøtul I 520 FL/FR

Item no. 50045751

Frame for the Jøtul I 520 FRL

Item no. 50045752

8.4 Convection top plate, complete I 520 F

Item no. 50045755

8.5 Sheet metal grid

Sheet metal grid Jøtul I 520 F

Item no. 50045747

Sheet metal grid Jøtul I 520 FR

Item no. 50045748

Sheet metal grid Jøtul I 520 FL

Item no. 50045749

9.0 Recycling

9.1 Recycling packaging

Your fireplace is delivered with the following packaging:

- A wooden pallet that can be cut up and burned in the fireplace.
- Cardboard packaging that should be taken to a local recycling facility.
- Plastic bags that should be taken to a local recycling facility.

9.2 Recycling the fireplace

The fireplace is made of:

- Metal that should be taken to a local recycling facility.
- Glass that should be disposed of as hazardous waste. The glass in the fireplace must not be placed in a regular source segregation container.
- Vermiculite burn plates that can be disposed of in regular waste containers.

10.0 Warranty

Jøtul AS provides its customers with a ten-year warranty with the right to return external cast-iron items if they show defects as a result of faulty materials and/or manufacturing after the initial purchase/installation of the fireplace. The buyer is entitled to return the goods provided that the fireplace has been installed in compliance with current laws and regulations and in compliance with Jøtul's installation and operating instructions.

The warranty does not cover:

The installation of optional extras, for example, to rectify local draught conditions, air supply or other circumstances beyond Jøtul's control. The warranty does not cover consumables, such as burn plates, smoke baffles, fire grates, bottom grates, brick refractories, dampers and gaskets as they deteriorate over time due to normal wear and tear. The warranty does not cover damage caused as a result of using unsuitable fuel when lighting the fire, such as driftwood, impregnated and painted wood, plank offcuts, chipboard, etc. Overheating may easily occur if unsuitable fuel is used, i.e. the fireplace becomes red hot, which causes the paint to discolour and the cast iron parts to crack.

The warranty is not valid for damage caused while the product is in transit from the distributor to the delivery address. The warranty is not valid either for damage caused by the use of non-original parts.

NEDERLANDS

Inhoudsopgave

2.0	Wettelijke voorschriften	32
1.0	Technische gegevens.....	32
3.0	Veiligheid.....	33
4.0	Installatie.....	33
5.0	Dagelijks gebruik	56
6.0	Onderhoud	58
7.0	Groot onderhoud	59
8.0	Opties.....	61
9.0	Recycling.....	61
10.0	Garantie.....	61

1.0 Wettelijke voorschriften

Een haard moet in overeenstemming met de in uw land geldende wet- en regelgeving worden geïnstalleerd.

Bij het installeren van de producten moeten alle lokale voorschriften die betrekking hebben op nationale en Europese normen, worden nageleefd.

Bij het product horen een installatiehandleiding met technische gegevens en een algemene gebruikers- en onderhoudshandleiding. De installatie kan pas in gebruik worden genomen nadat deze door een gekwalificeerde technicus is gecontroleerd.

Op het hiteschild is een typeplaatje van hittebestendig materiaal bevestigd. Hierop staat informatie over de identificatie en documentatie van het product.

2.0 Technische gegevens

Materiaal:	Gietijzer
Afwerking:	Verf
Type brandstof:	Hout
Max. lengte van blokken:	50 cm
Rookuitlaat:	Boven
Afmeting kachelpijp:	Ø 200 mm/314 cm ² doorsnede
Gewicht:	Ongeveer 125 kg
Opties:	Paneel, glas, asrand, intern aselement

Productafmetingen, afstanden: Zie **afb. 1**

Technische gegevens conform EN 13229

Nominale warmteafgifte:	7 kW
Efficiëntie:	77%
CO-uitstoot (13% O ₂):	0.07%
CO-uitstoot (13% O ₂):	884 mg/Nm ₃
OGC-uitstoot (13% O ₂):	60 mg/Nm ₃
Stofuitstoot (13% O ₂):	14 mg/Nm ₃
Temperatuur rookgas:	305 °C
Debiet rookgas:	7,1 g/s
Schoorsteentrek, EN 13229:	12 Pa
Aanbevolen trek met rookkanaal:	16-18 Pa
Brandstofverbruik:	2,3 kg/u
Hoeveelheid aanmaakhout:	1,7 kg
Max. aanmaakhout:	3,4 kg per keer en 3,8 kg/kg/u cyclisch
Bedrijf:	

Onder “cyclische verbranding” wordt normaal gebruik van een kachel verstaan. Met andere woorden: als u met het produceren van warmte wilt doorgaan, voegt u meer brandstof toe zodra de vorige lading hout tot sintels is verbrand.

Product: Jøtul Room heater fired by solid fuel				CE	
Standard	:	:	:	:	:
Minimum distance to adjacent combustible materials:	:	:	:	:	:
Emission of CO in combustion products	:	:	:	:	:
Flue gas temperature	:	:	:	:	:
Nominal heat output	:	:	:	:	:
Efficiency	:	:	:	:	:
Operation range	:	:	:	:	:
Fuel type	:	:	:	:	:
Operational type	:	:	:	:	:
The appliance can be used in a shared flue.					
Country	Classification	Certificate/standard	Approved by		
Norway	Klasse II				
Sweden	roc	SP	SP Sveriges Provnings- och Forskningsinstitut AB		
EUR	Intermittent	EN	SP Swedish National Testing and Research Institute		
Follow user's instructions. Use only recommended fuels. Montage- und Bedienungsanleitung beachten. Verwenden Sie nur empfohlenen Brennstoffen. Respectez les consignes d'utilisation. Utilisez uniquement les combustibles recommandés.					
Serial no. Y-xxxx, Year: 200x					
Manufacturer: 221546					
Jøtul AS					
POB 1441					
NI-1602 Fredrikstad					
Norway					

Al onze producten zijn voorzien van een label met een serienummer en een jaartal. Noteer dit nummer op de daarvoor bestemde plaats, zoals aangegeven in de installatie-instructies.

Houd dit serienummer bij de hand als u contact opneemt met uw leverancier of met Jøtul.

Serial no.

3.0 Veiligheid

NB! Om optimale prestaties en veiligheid te garanderen, raadt Jøtul aan haar kachels te laten monteren door een gekwalificeerd installateur (zie www.jotul.com voor een volledige dealerlijst).

Aanpassingen aan het product door de distributeur, installateur of consument kunnen ertoe leiden dat het product en de beveiligingen niet naar behoren functioneren. Hetzelfde geldt voor de installatie van niet door Jøtul geleverde accessoires of optionele extra's. Dit kan ook het geval zijn indien essentiële onderdelen voor het functioneren en de veiligheid van de haard gedemonteerd of verwijderd worden.

In al deze gevallen is de fabrikant niet verantwoordelijk of aansprakelijk voor het product en het recht op reclamatie komt hierdoor te vervallen.

3.1 Maatregelen op het gebied van brandpreventie

Elk gebruik van de haard brengt een zeker risico met zich mee. Neem daarom de volgende instructies nauwkeurig in acht:

- De minimale veiligheidsafstanden tijdens het gebruik van de haard zijn weergegeven in **afb. 1**.
- Zorg ervoor dat er geen meubels of andere brandbare materialen te dicht bij de haard staan. Brandbare materialen mogen nooit binnen 1 meter afstand van de haard geplaatst worden.
- Laat het vuur vanzelf uitgaan. Blus het vuur nooit met water.
- De haard wordt tijdens gebruik warm en kan bij aanraking brandwonden veroorzaken.
- Verwijder de as niet voordat de haard koud is. De as kan smeulende resten bevatten en moet daarom in een onbrandbare bak worden bewaard.
- De as moet naar buiten worden afgevoerd of worden weggegooid op een plek waar geen brandgevaar bestaat.

Bij brand in de schoorsteen

- Sluit alle luiken en ventilatieopeningen.
- Houd de deur van de vlamkast gesloten.
- Controleer of er rook is op zolder en in de kelder.
- Bel de brandweer.
- Voordat u de haard opnieuw in gebruik neemt na een brand, moet een deskundige de haard en de schoorsteen controleren om na te gaan of deze goed werkt.

4.0 Installatie

4.1 Vloer

Fundering

Controleer of de fundering geschikt is om een kachel te dragen, zie "2.0 Technische gegevens" voor het gespecificeerde gewicht.

Eisen voor het beschermen van een houten vloer onder de kachel

Het product kan rechtstreeks op een houten vloer worden geplaatst, waarbij de vloer moet worden afgedekt met een plaat van metaal of van een ander onbrandbaar materiaal. De aanbevolen dikte bedraagt minimaal **0,9 mm** en de plaat moet het hele omringende vloeroppervlak bedekken.

Wij raden aan om vloeren die niet aan de fundering zijn bevestigd (zgn. "zwevende vloeren") uit het installatiegebied te verwijderen.

Haal brandbare vloerbedekkingen, zoals linoleum, tapijt etc. onder de vloerplaat weg.

Eisen voor het beschermen van brandbare vloeren vóór de kachel

Bescherm de vloer vóór de kachel met een plaat van metaal of van een ander onbrandbaar materiaal. De aanbevolen dikte is minimaal 0,9 mm. De afstand tussen de deur en het frame moet minimaal 428 mm zijn (zie fig 1f).

De vloerplaat moet aan de nationale wet- en regelgeving voldoen.

Neem contact op met de plaatselijke bouwtoezichtinstanties voor informatie over beperkingen en installatie-eisen.

4.2 Wand

Afstand tot brandbare muur met isolatie (afb. 1)

De Jøtul I 520 kan in een open structuur/ombouw worden geïnstalleerd, op voorwaarde dat de afstand tot de muur (zowel brandbaar als niet-brandbaar) minimaal 700 mm is aan de zijkanten met glas en minimaal 362 mm aan de zijkanten zonder glas. Deze afstanden moeten worden nageleefd vanwege de warmte die op het plafond en aangrenzende muren wordt overgebracht (afb. 1 e en f). Bij dit type installatie kunnen de convectiegaten in de voorkant en zijkanten van de ombouw worden weggelaten, aangezien er convectiegleuven in de bovenkant zitten.

NB: Leg geen massieve plaat boven op de kachel. Er moet minimaal 750 cm² vrije luchtruimte aan de bovenkant en minimaal 500 cm² vrije opening aan de basis aanwezig zijn.

NEDERLANDS

Isolatie-eisen

Wanneer het element wordt geplaatst in een zelfgebouwde ombouw met brandbare muren beschermd door isolatiemateriaal, kan isolatiemateriaal van de volgende typen en diktes worden gebruikt:

- 50 mm Jøtul JGFW-5 brandbestendige plaat (specifieke thermische geleidbaarheid = λ -waarde = 0,06 W/mK)
- 50 mm Rockwool brandbeschermende bouwplaat (λ -waarde = 0,046 W/mK)
- 150 mm Siporex (λ -waarde = 0,144 W/mK)

Andere materialen mogen worden gebruikt. In dat geval moeten de isolatiekenmerken altijd minstens gelijk zijn aan de eisen betreffende thermische weerstand* (R) van de 50 mm Jøtul JGFW-5.

- *Thermische weerstand (R) is een indicatie van hoe goed een materiaal isoleert met betrekking tot de dikte ervan. Thermische weerstand (R) wordt berekend als de dikte (d) van het materiaal, gedeeld door de thermische geleidbaarheid van het materiaal. $R = d/\lambda$ -waarde.*

De thermische weerstand (R) voor de Jøtul JGFW-5 is 0,83 m²*K/W.

Afstand tot brandbare muur met brandmuur (afb. 1)

Eisen voor brandmuren

De brandmuur moet minimaal 100 mm dik zijn en zijn gemaakt van steen, beton of lichtgewichtbeton. Andere materialen en constructies met de juiste documentatie mogen ook worden gebruikt.

Neem contact op met de plaatselijke bouwtoezichtinstanties voor informatie over beperkingen en installatie-eisen.

Eisen voor de haardombouw

De haardombouw moet van onbrandbaar materiaal zijn gemaakt.

Let op: de hele achtermuur in de ombouw en naastgelegen gebieden moeten zijn bedekt met isolatie/brandmuren.

Als de haardkap tot aan het plafond wordt opgebouwd en het plafond uit brandbaar materiaal bestaat, moet u boven de verbrandingskamer en boven de openingen van de kap extra panelen monteren om te voorkomen dat het plafond heet wordt. Gebruik bijvoorbeeld: Steenwol van 100 mm dik op een stalen plaat (min. 0,9 mm). Zie **afb. 1 e en f**. Let op of er voldoende ventilatie is bovenin de kap, bijv. een opening onder het plafond.

Let op: vergeet niet dat de installatie moet kunnen worden geveegd en gecontroleerd.

4.3 Luchttoevoer

Er moet lucht tussen het element en het metselwerk stromen. Bovendien is een onbelemmerde luchttoevoer naar de luchtopeningen van groot belang.

De in de tekst gespecificeerde maten voor de luchtinlaten zijn minimumeisen.

Vereiste maatvoering luchtopeningen (voor luchtcirculatie):

Basis: minimaal 500 cm³ vrije opening.

Boven: minimaal 750 cm³ vrije opening.

Zie **afb. 1 e en f**.

4.4 Plafond

De kachel is goedgekeurd voor installatie met de bovenste rand van de heteluchtopening op een afstand van minimaal 400 mm van een plafond van een onbrandbaar materiaal, zie **afb. 1 e en f**. Let op of er voldoende ventilatie is bovenin de kap, bijv. een opening onder het plafond.

4.5 Schoorsteen

De schoorsteen is als het ware de aandrijving van de kachel en het is van cruciaal belang dat er een goede schoorsteen aanwezig is om de kachel goed te laten werken.

De trek in de schoorsteen creëert een vacuüm in de kachel. Dit vacuüm trekt de rook uit de kachel en zuigt lucht naar binnen via de keerplaat voor de verbrandingslucht om de verbranding te voeden.

De verbrandingslucht wordt ook gebruikt voor het airwash-systeem dat voorkomt dat zich roet hecht aan de ruit.

De trek in de schoorsteen wordt veroorzaakt door het temperatuurverschil in en buiten de schoorsteen. Hoe groter het temperatuurverschil, hoe beter de trek in de schoorsteen. Het is daarom van belang om de schoorsteen zijn bedrijfstemperatuur te laten bereiken, voordat u de luchtopeningen aanpast om de verbranding in te kachel te verminderen (*een stalen schoorsteen bereikt sneller de bedrijfstemperatuur dan een gemetselde schoorsteen*).

Met name wanneer de trek in de schoorsteen slecht is als gevolg van ongunstige wind- en weersomstandigheden is het van belang om de bedrijfstemperatuur zo snel mogelijk te bereiken. Zorg ervoor dat de brandstof zo snel mogelijk vlam vat. Praktische tip: Hak het hout in veel kleinere stukken en gebruik een extra aansteker.

NB: Als de kachel aanzienlijke tijd niet is gebruikt, dient u de schoorsteenpijp te controleren op verstoppingen.

4.6 Schoorsteen en kachelpijp

- De kachel mag uitsluitend worden aangesloten op een schoorsteen en kachelpijp die zijn goedgekeurd voor kachels op vaste brandstof met rookgastemperaturen zoals gespecificeerd in «2.0 Technische gegevens».
- De doorsnede van de schoorsteen moet minimaal gelijk zijn aan die van de kachelpijp. Zie “2.0 Technische gegevens” om de juiste doorsnede van de schoorsteen te berekenen.
- Als de doorsnede van de schoorsteen groot genoeg is, kunnen er meerdere kachels op vaste brandstof op dezelfde schoorsteen worden aangesloten.
- Voordat u een opening in de schoorsteen maakt, moet de kachel op proef worden gemonteerd om de juiste positie van de kachel en het gat in de schoorsteen te kunnen bepalen, zie afb. 1 voor de minimummaten. **NB: Dit is niet van toepassing wanneer de kachel in een haard wordt geplaatst.**
- **NB:** Er is geen veegluik vereist wanneer de hoek van de bocht in de kachelpijp 45° of minder is. Als de hoek groter is dan 45°, moet een kachelpijpbocht met luik worden geïnstalleerd om te kunnen vegen.

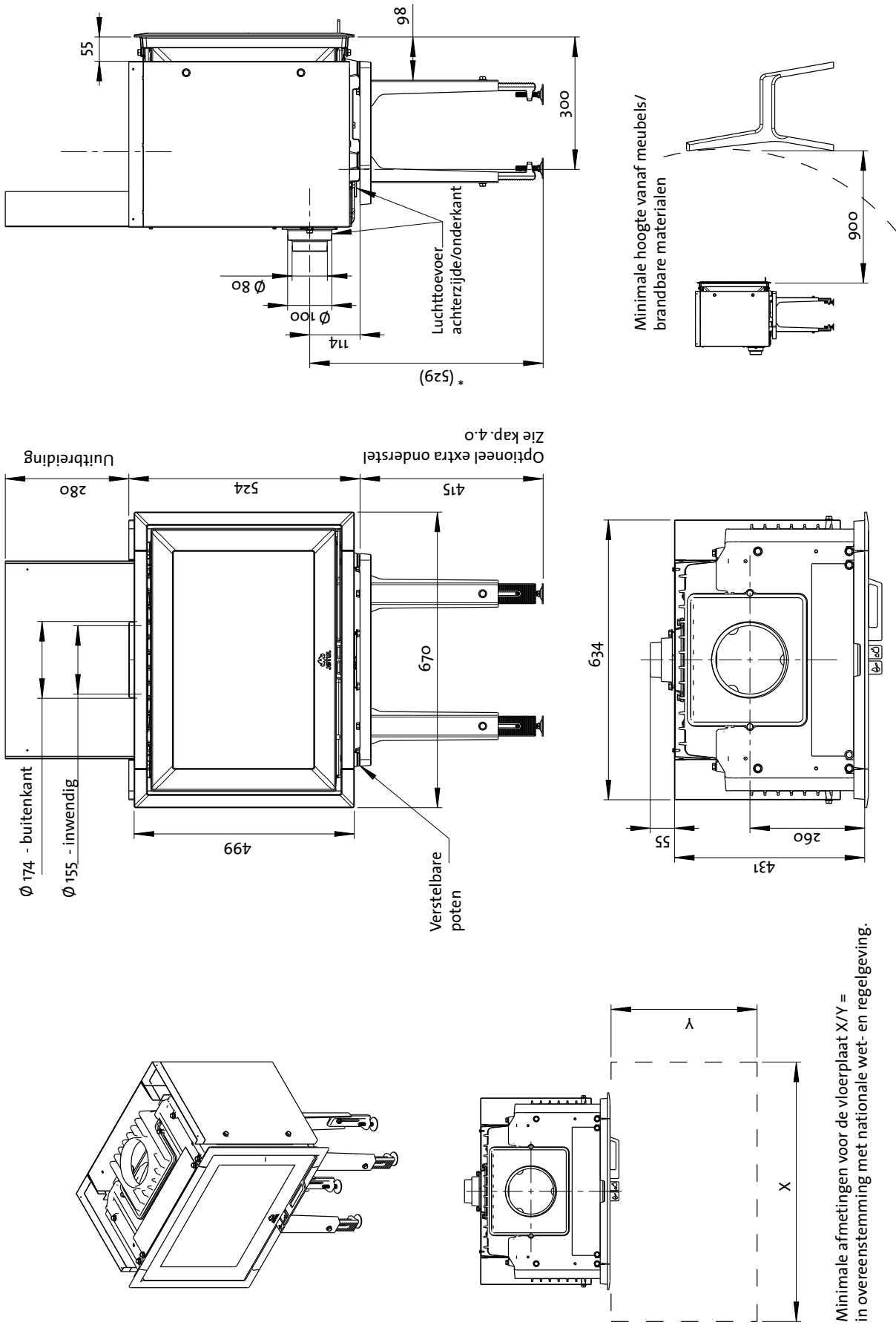
Let op: het is zeer belangrijk dat de aansluitingen enigszins flexibel zijn. Zo voorkomt u dat evt. kleine verplaatsingen tijdens de installatie tot vervorming of barsten leiden.

Let op: voor het goed functioneren van het product is een juiste en luchtdichte aansluiting van zeer groot belang.

Gewicht mag niet van de haardconstructie naar de schoorsteen worden overgebracht. De haardconstructie mag het bewegen van de schoorsteen niet hinderen en de constructie mag niet aan de schoorsteen worden verankerd.

Zie “2.0 Technische gegevens” voor de aanbevolen schoorsteentrek. Als de trek te sterk is, kan een demper worden geïnstalleerd om de trek te verminderen.

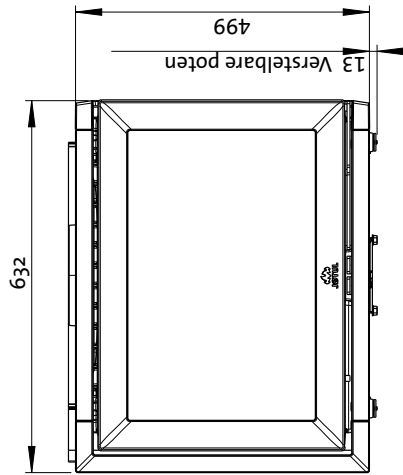
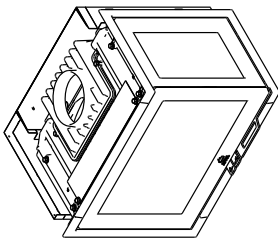
Jøtul I 520 F



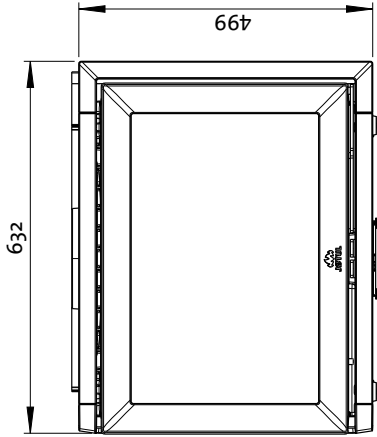
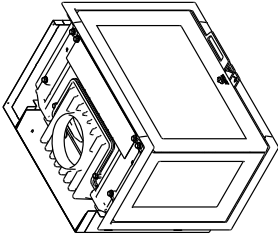
Minimale afmetingen voor de vloerplaat X/Y = in overeenstemming met nationale wet- en regelgeving.

Afb. 1 b

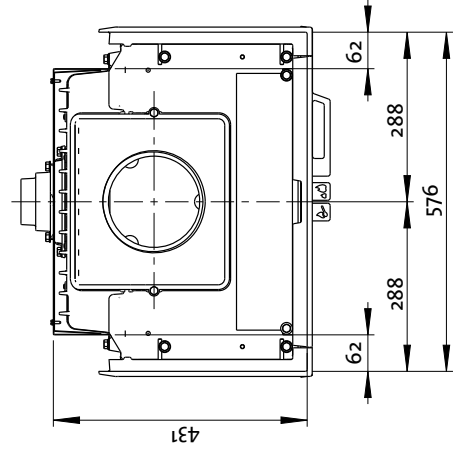
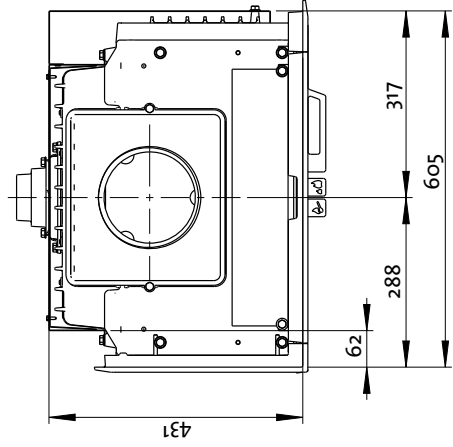
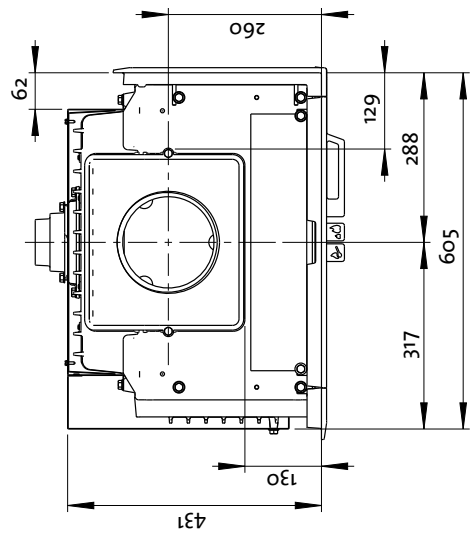
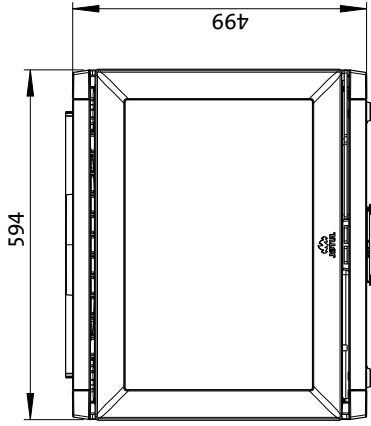
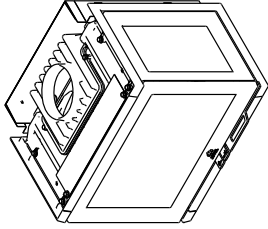
Jøtul I 520 FR



Jøtul I 520 FL

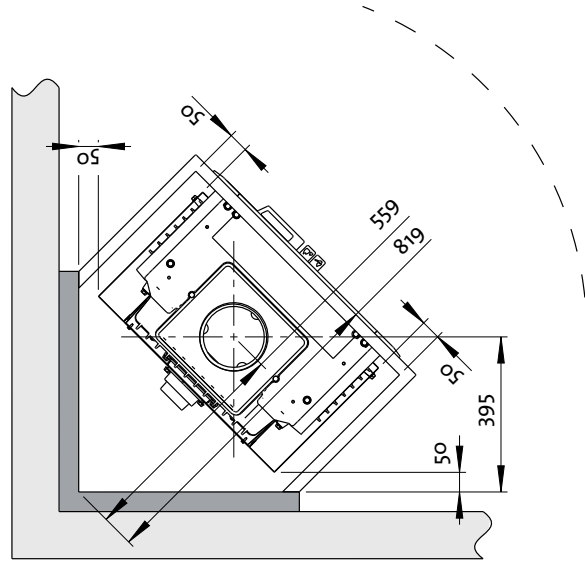
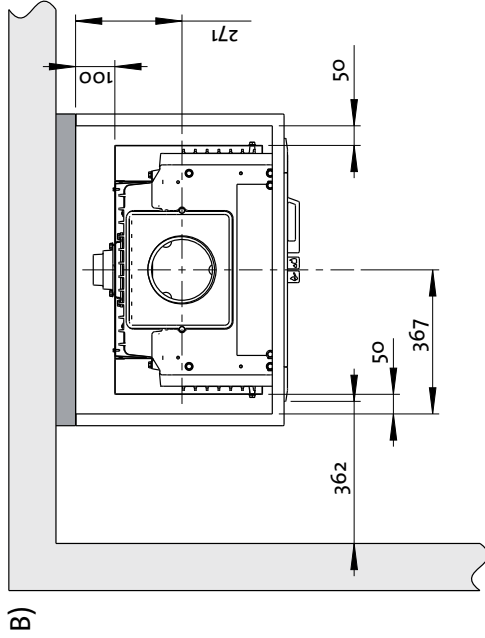
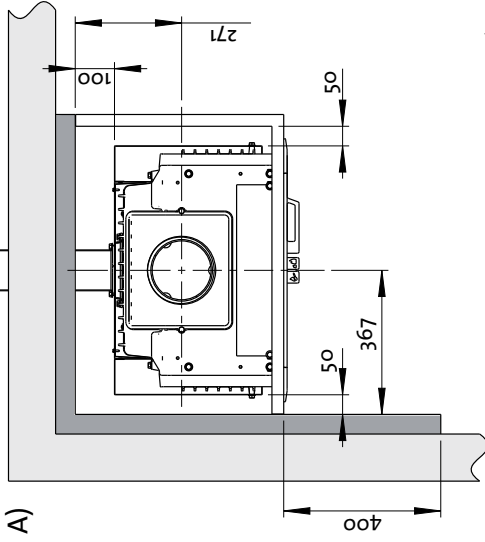


Jøtul I 520 FRL

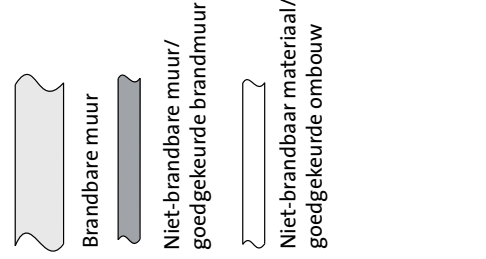
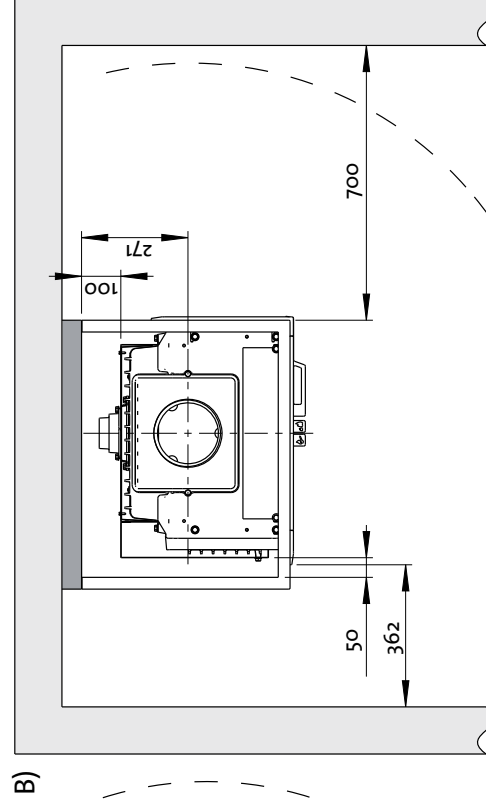
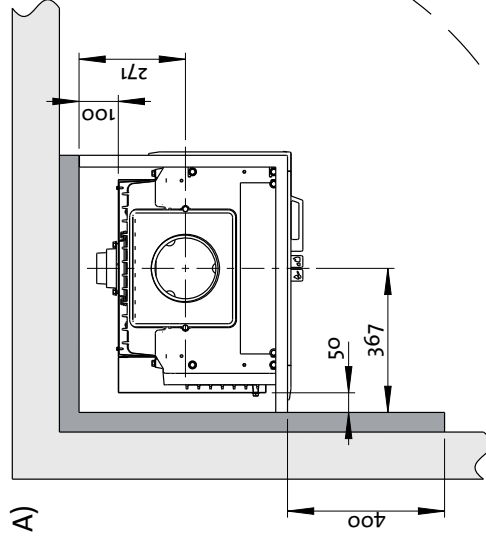


Minimale afstand tot brandbare muur beschermd door brandmuur

Jøtul I 520 F



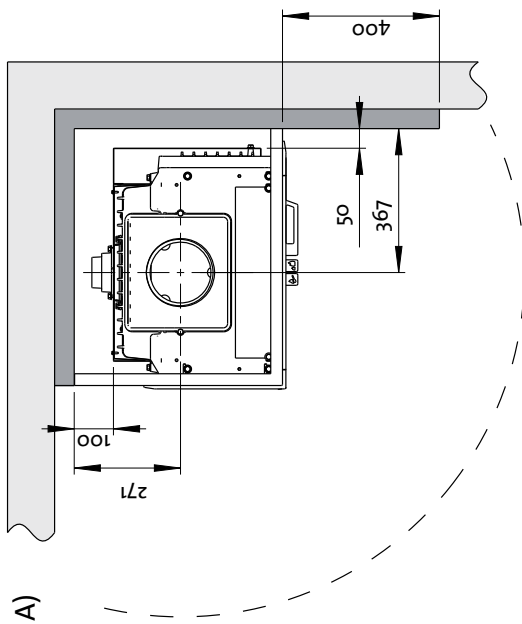
Jøtul I 520 FR:



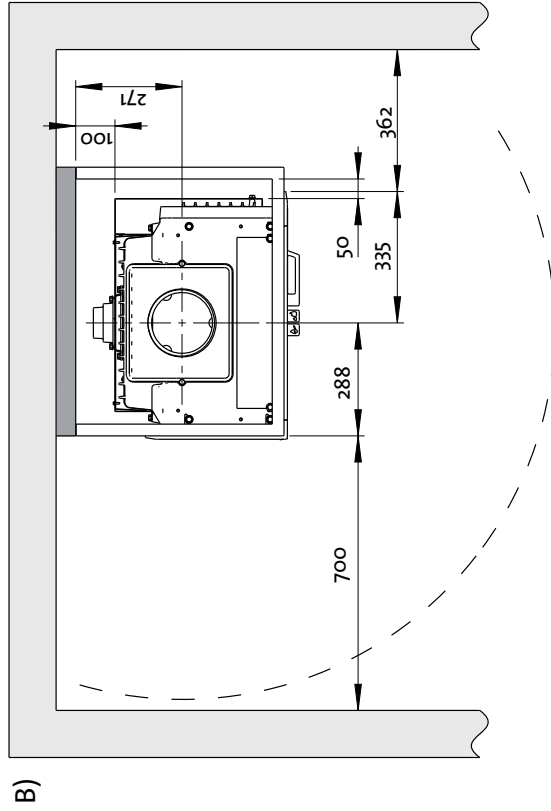
NB: De minimale afstanden gelden voor een semi-geïsoleerde schoorsteen of afgeschermde kachelpijp tot aan het product.

Afb. 1 d

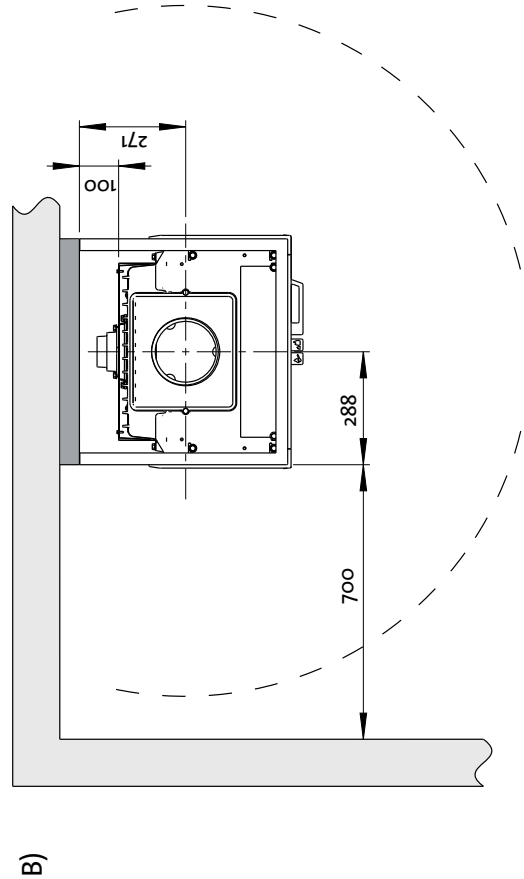
Jøtul I 520 FL



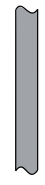
Minimale afstand tot brandbare muur beschermd door brandmuur



Jøtul I 520 FRL



Brandbare muur



Niet-brandbare muur/
goedgekeurde brandmuur

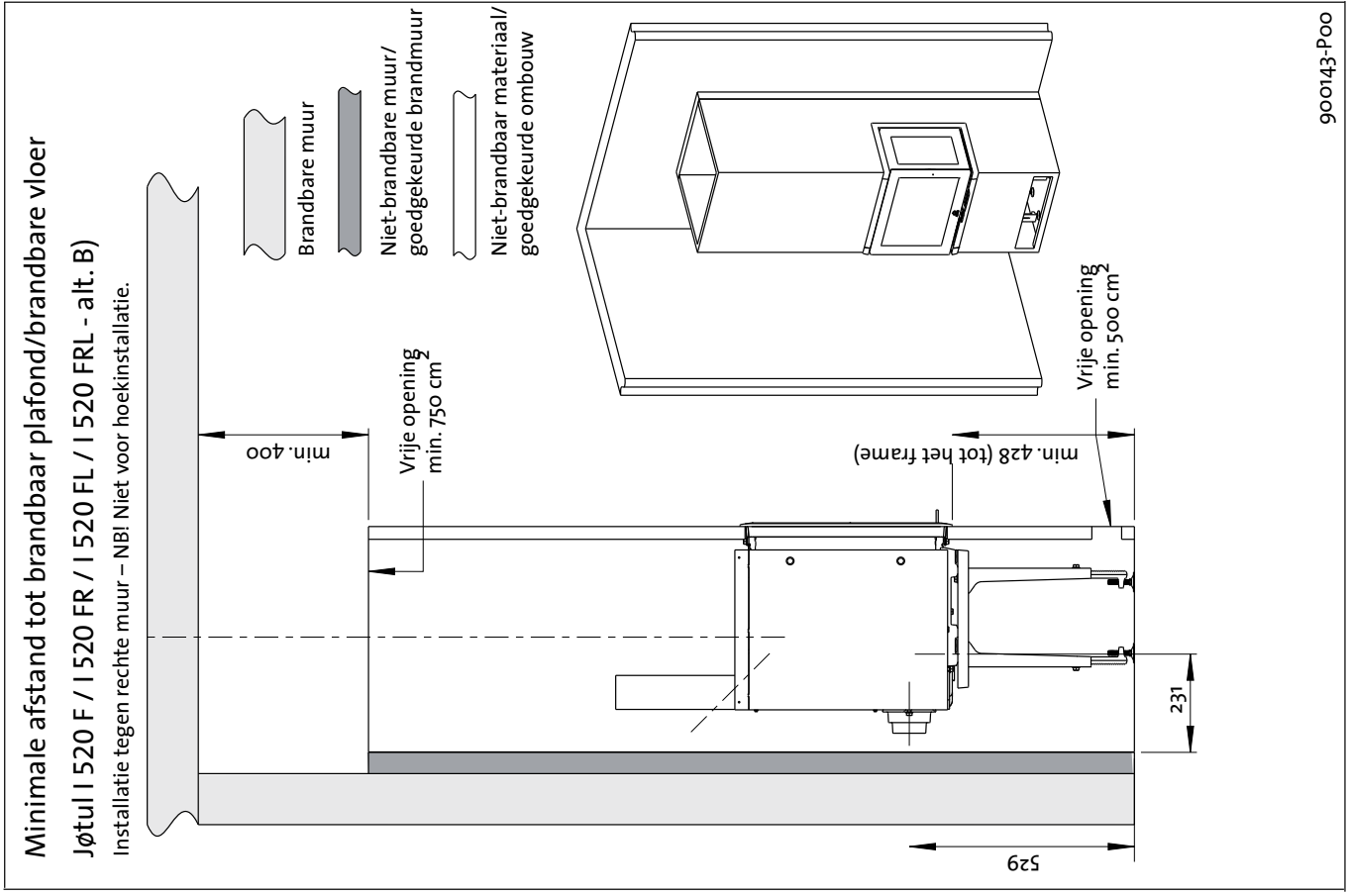


Niet-brandbaar materiaal/
goedgekeurde ombouw

NB: De minimale afstanden gelden voor een semi-geïsoleerde schoorsteen of afgeschermd kachelpijp tot aan het product.

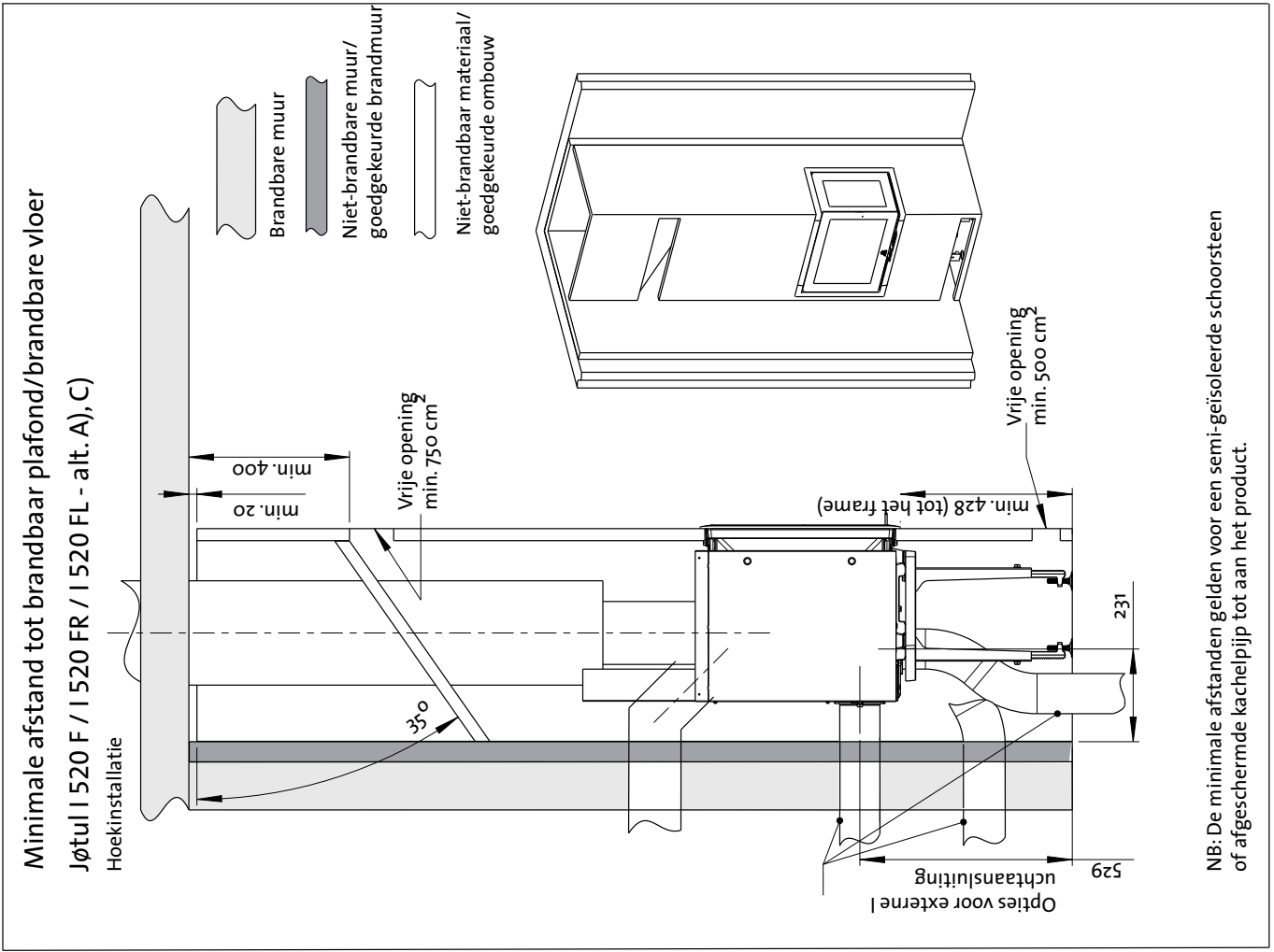
900143-P00

Afb. 1 f



900143-P00

Afb. 1 e

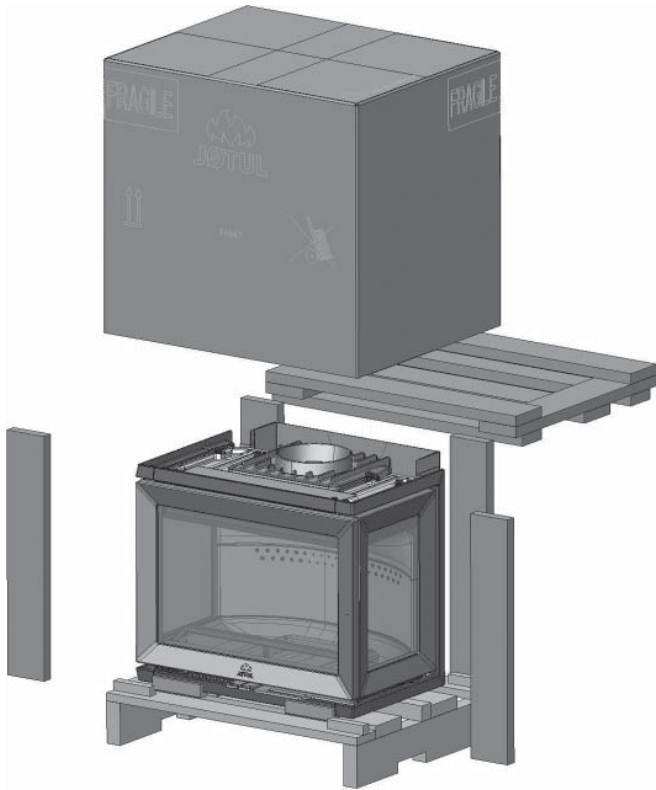


NB: De minimale afstanden gelden voor een semi-geïsoleerde schoorsteen of afgeschermd kachelpijp tot aan het product.

4.6 Voorbereiding/installatie

Het product zit in één verpakking.

Afb. 2 a



Alle verpakkingsdelen kunnen worden gerecycled.

Afb. 2 b



Het product is zwaar! Zorg voor hulp bij het plaatsen en installeren.

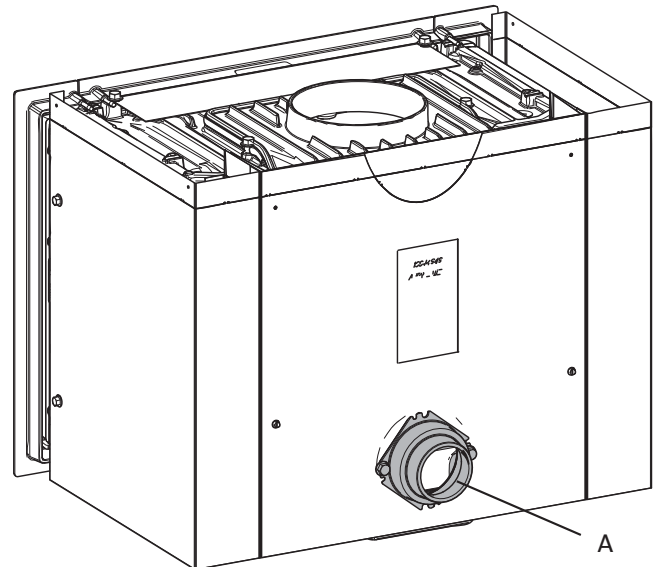
NB: Controleer de kachel voor het plaatsen op eventuele beschadigingen.

Externe luchtaansluiting

U kunt optioneel een set voor externe luchtaansluiting bestellen. (Wordt geleverd met eigen instructiehandleiding. Externe luchtaansluiting \varnothing 100, artikelnr. 10026187). De luchtaansluiting past op toevoerbuizen voor verse lucht met \varnothing 100 en \varnothing 80. Dit moet worden uitgevoerd voordat de ombouw wordt gemetseld of gebouwd. Bij installatie in een bestaande haard moeten alle brandveiligheidsvoorschriften en normen worden nageleefd.

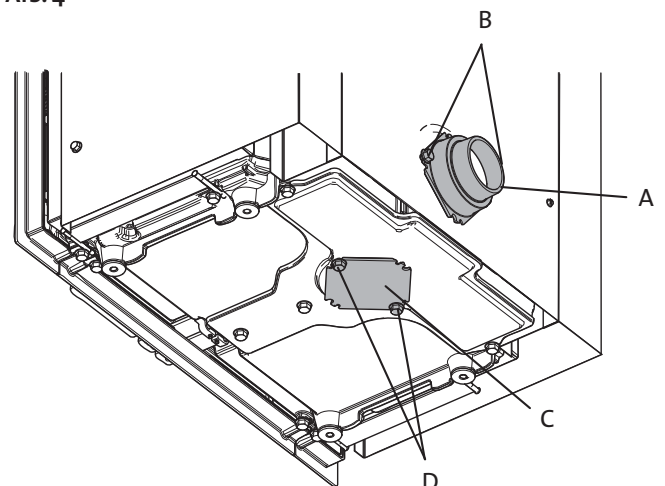
Externe luchttoevoer

Afb. 3



1. Het product is uitgerust met een luchttoevoer (A) aan de achterkant. Indien nodig kan de luchttoevoer worden verplaatst naar de onderkant van het product. Zie **afb. 4**.

Afb. 4

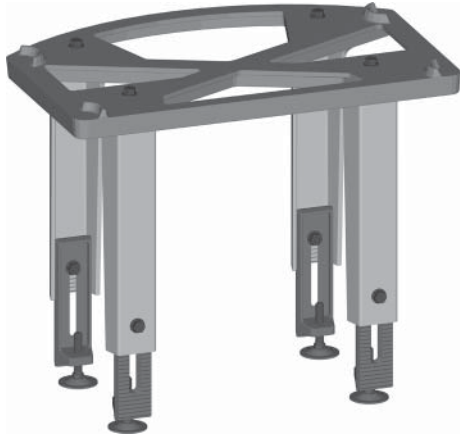


2. Draai de twee schroeven (B) los en verwijder de luchttoevoeraansluiting (A).
3. Schroef daarna de twee schroeven (D) onder de verbrandingskamer los en verwijder de afdekking (C).
4. Installeer de aansluiting (A) op de plek waar de afdekking zat en maak deze vast met schroeven (B).
5. Plaats dan de verwijderde afdekking over het luchttoevoergat aan de achterkant. Bevestig deze met dezelfde schroeven.

NEDERLANDS

Installatie van onderstel (optie)

Bij het metselen van een stenen ombouw moet het onderstel (optioneel, artikelnr. 51044759) worden gebruikt. Zie afb. 1 e en f.



Deurscharnieren

De scharnieren van de deur zitten standaard links, maar kunnen ook rechts worden geplaatst. Als de scharnieren moeten worden verplaatst, moet dat worden gedaan voordat de kachel in de haard of ombouw wordt gemonteerd.

Om de scharnieren te verplaatsen, is een optionele set nodig. Artikelnr. 50045754. (Zie de instructiehandleiding, artikelnr. 10045851, die wordt geleverd bij de montageset.)

4.7 Aansluiting op de schoorsteen

Voordat u het product installeert, moet u beslissen hoe u het wilt aansluiten op de schoorsteen.

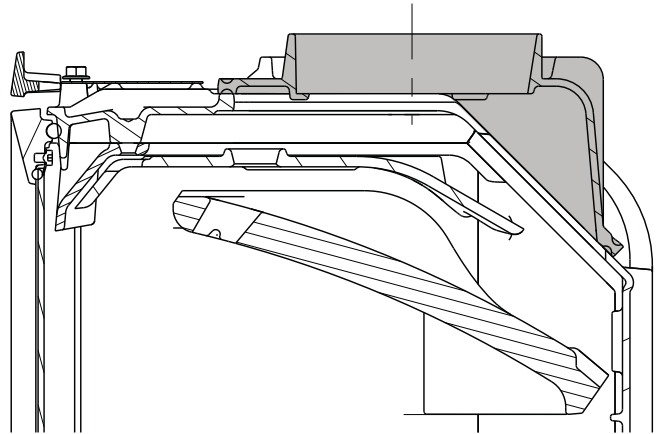
Installatie van de rookkap

De rookkap kan van binnenuit en van buitenaf worden geïnstalleerd. Vanuit de fabriek wordt deze geleverd aan de buitenkant voor een uitlaat bovenin, maar de rookkap kan ook worden gemonteerd als uitlaat bovenin aan de binnenkant. Tevens kan deze 45° worden gedraaid (uitlaat achter) voor installatie van buitenaf en binnenin.

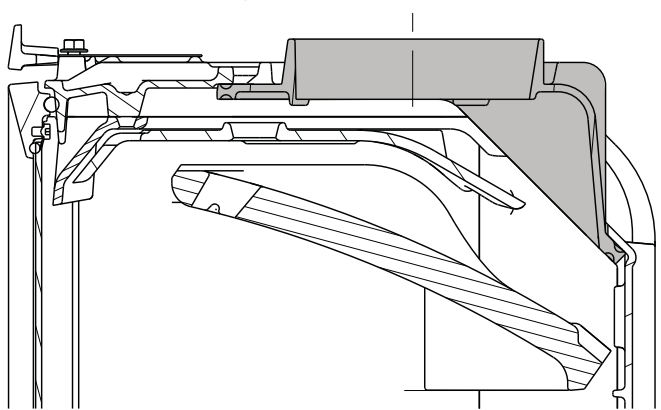
Als de rookkap binnenin wordt geïnstalleerd, moeten de branderplaten, keerplaat en uitlaatplaten worden verwijderd.

Afb. 5

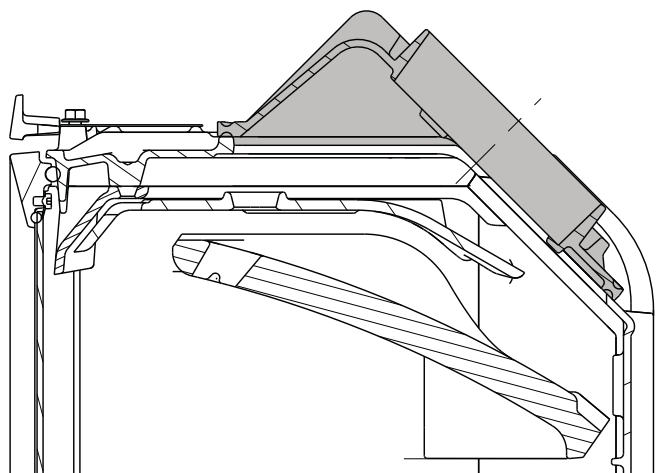
Uitlaat bovenin geïnstalleerd van buitenaf (fabriekslevering)



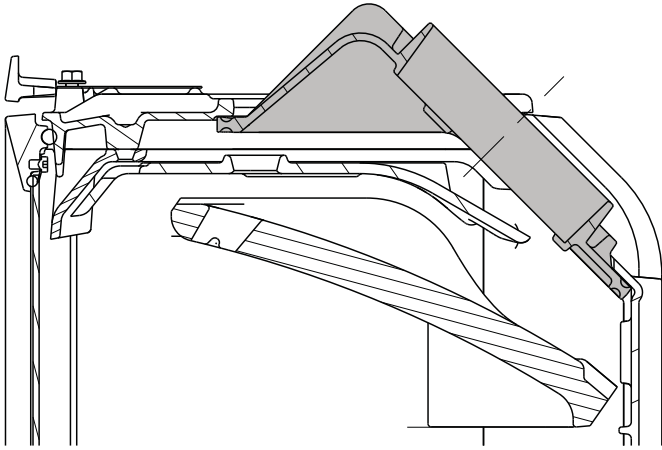
Uitlaat bovenin geïnstalleerd van binnenuit



Rookuitlaat aan de achterkant (45° gedraaid) van buitenaf



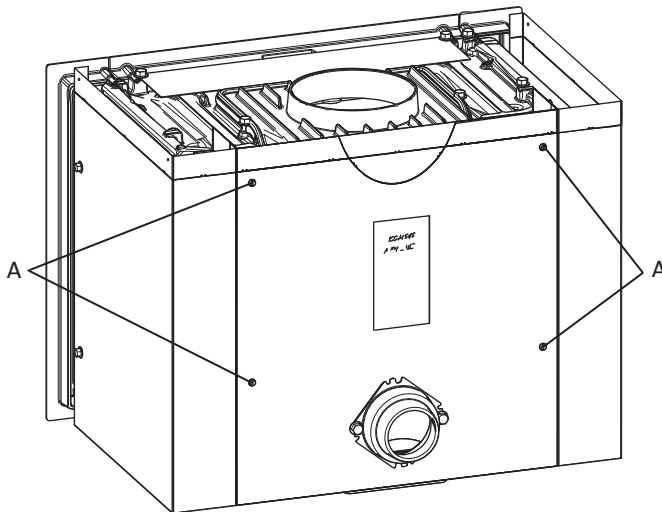
Rookuitlaat aan de achterkant (45° gedraaid) van binnenuit



Uitlaat bovenin

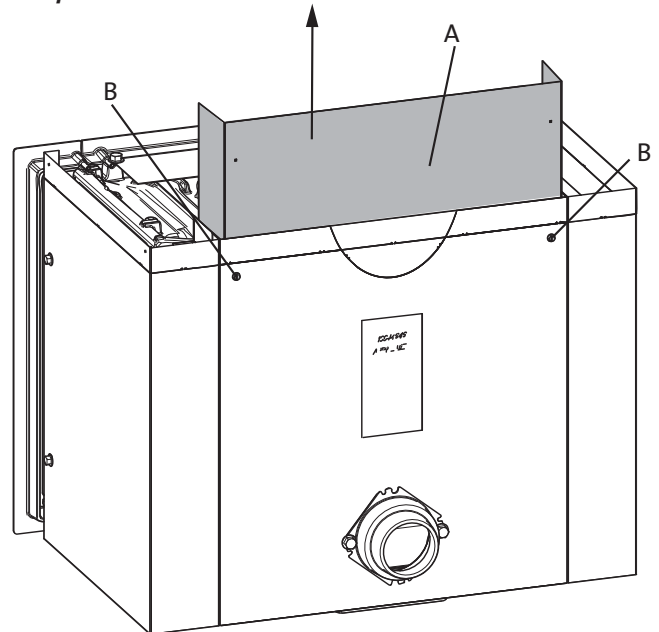
Het product is in de fabriek gebouwd voor een uitlaat bovenin. Het achterste hitteschild aan de binnenkant moet omhoog worden gebracht om de achtermuur te beschermen tegen de warmte van de kachelpijp.

Afb. 6



1. Draai de vier schroeven los (A).

Afb. 7



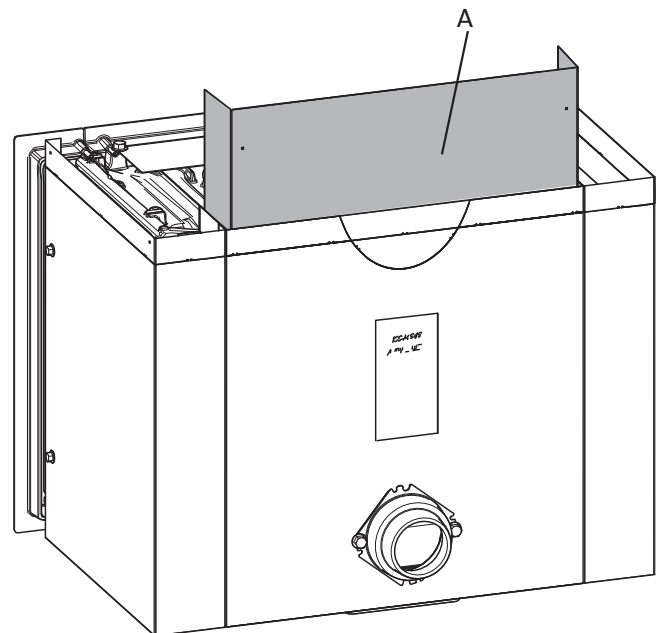
2. Trek het binnenste hitteschild (A) omhoog.
3. Bevestig het schild met de twee bovenste schroeven (B).

Ombouwen tot een achteruitlaat

De rookuitlaat kan, indien nodig, worden omgebouwd tot een achteruitlaat. De rookkap kan ook van binnenuit worden geïnstalleerd indien de ruimte waar de verbrandingskamer wordt geïnstalleerd beperkt is.

Verwijder de vier schroeven die u ziet op afb. 6.

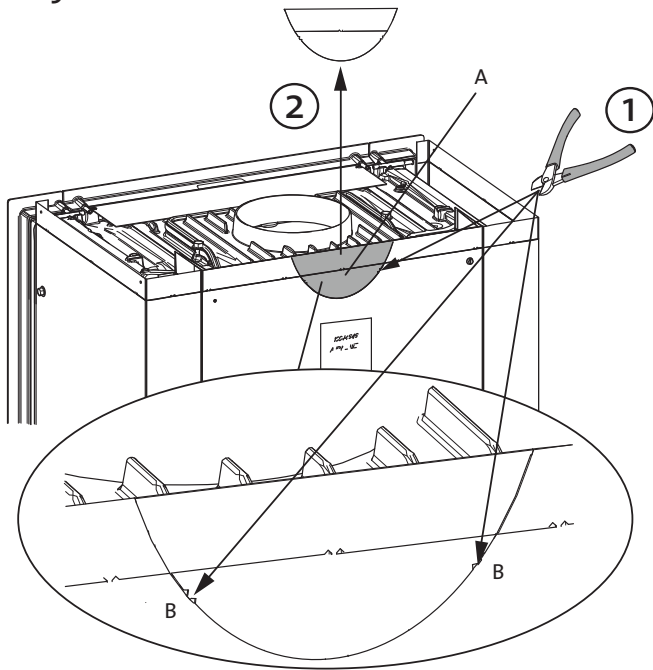
Afb. 8



1. Verwijder het binnenste hitteschild (A).

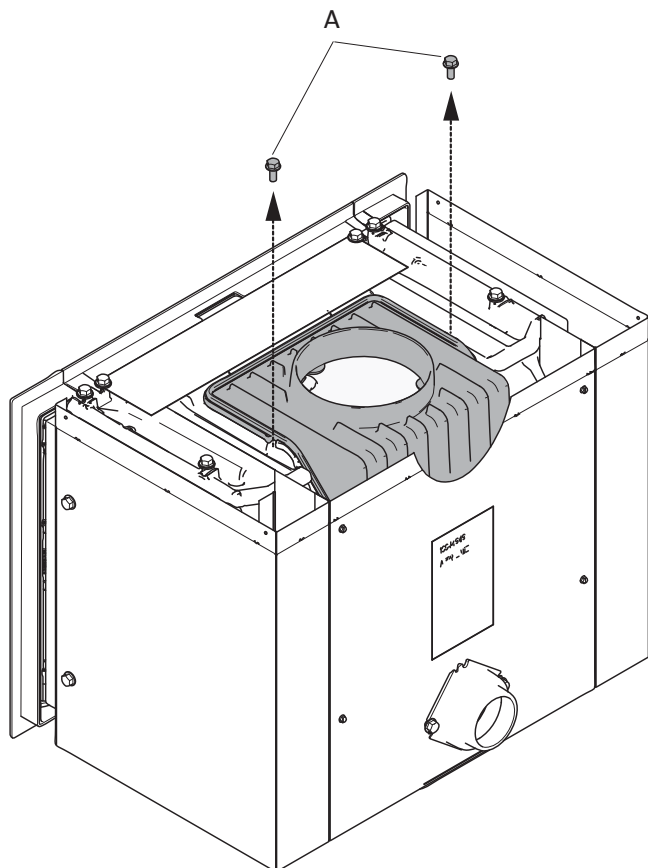
NEDERLANDS

Afb. 9



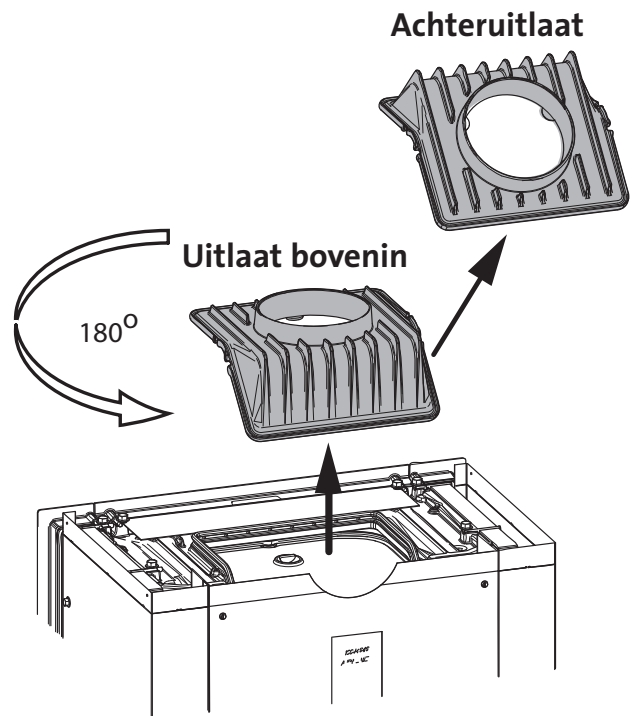
2. Bij het gebruik van een achteruitlaat moet het gebogen deel (A) eerst worden verwijderd. Snijd langs de uittikgaten (B). Verwijder daarna het uittikdeel.

Afb. 10



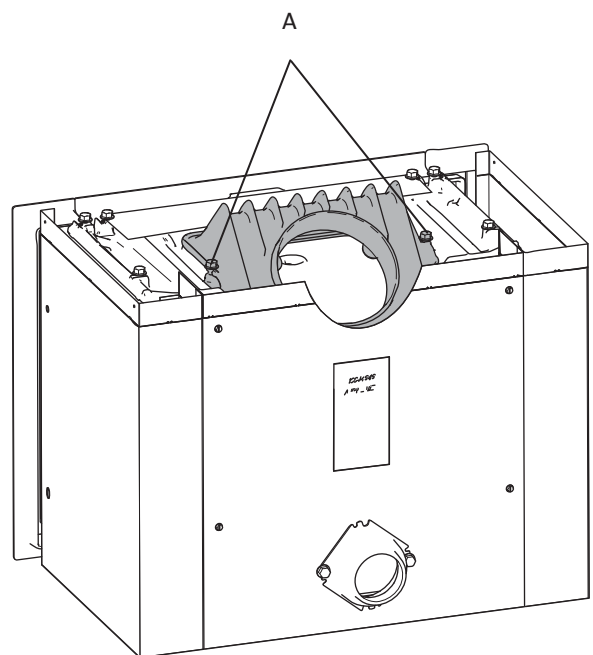
3. Draai de twee schroeven (A) los waarmee de rookkap aan de verbrandingskamer is bevestigd.

Afb. 11



4. Til de rookkap op en draai deze 180°.

Afb. 12



5. Bevestig de rookkap op de verbrandingskamer met behulp van dezelfde twee schroeven (A).

4.8 Installatie

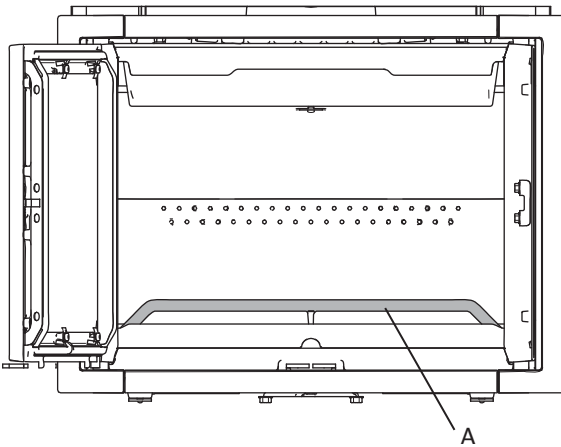
Installatie van interne rookkap

Het product wordt geleverd in vier verschillende modellen. De installatieprocedure is afhankelijk van welk model er wordt geplaatst:

Voor de volgende drie modellen volgt u de afbeeldingen **13 tot en met 20**.

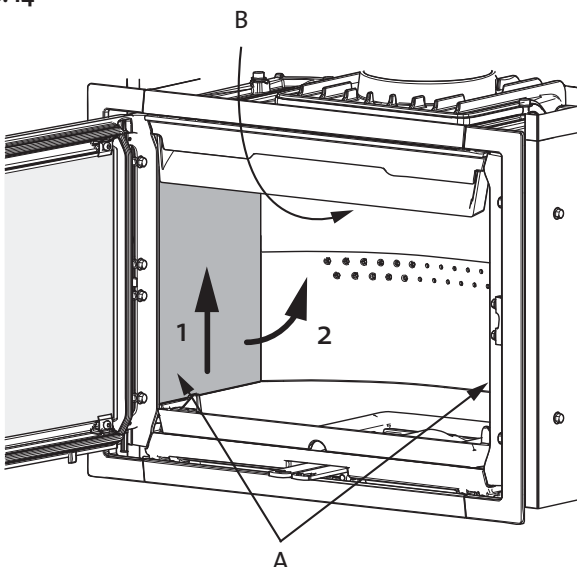
- Voor de Jøtul I 520 F (ruit aan de voorkant), Jøtul I 520 FL (ruit aan de voorkant en de linkerkant) en Jøtul I 520 FR (ruit aan de voorkant en rechterkant).
- Voor de Jøtul I 520 FRL (ruit aan de voorkant en beide zijanten) volgt u de afbeeldingen **14 tot en met 20**.

Afb. 13



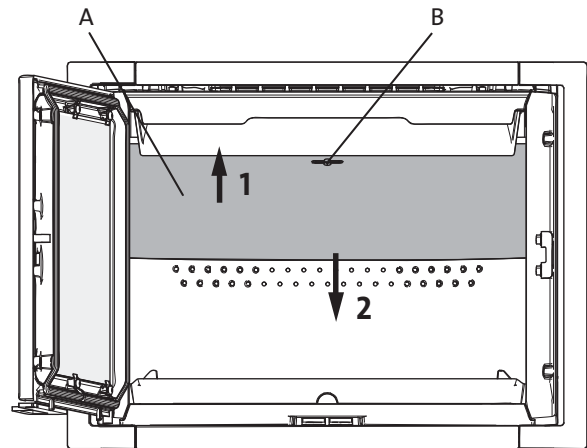
1. Open de deur en verwijder de blokhouder (A).

Afb. 14



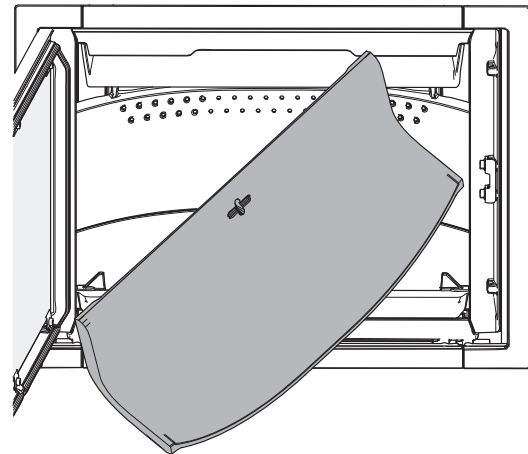
2. Verwijder de branderplaat voor de zijkant (A) door deze een klein stukje op te tillen terwijl u de keerplaat (B) omhoog houdt. Trek de branderplaat voor de zijkant er aan de onderkant uit. Verwijder de andere branderplaat voor de zijkant op dezelfde manier.

Afb. 15



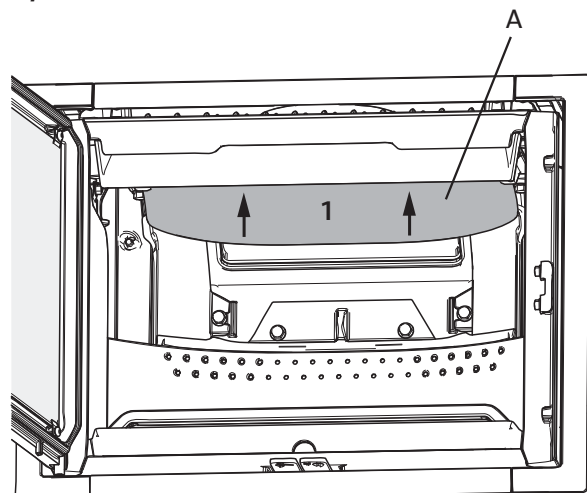
3. Til eerst de keerplaat (A) op. Draai de sleutel (B) 90° en verwijder deze dan. Trek de achterkant van de keerplaat naar beneden.

Afb. 16



4. Draai één hoek naar u toe en trek deze zijdelings naar buiten.

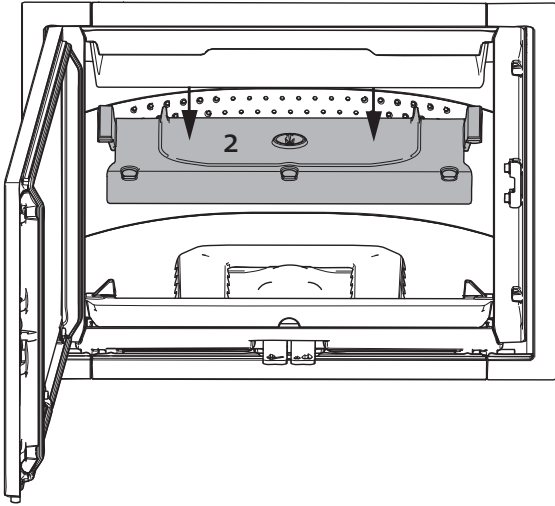
Afb. 17



5. Verwijder daarna de uitlaatplaat (A) door deze eerst een klein stukje op te tillen. Duw de uitlaatplaat daarna naar achteren.

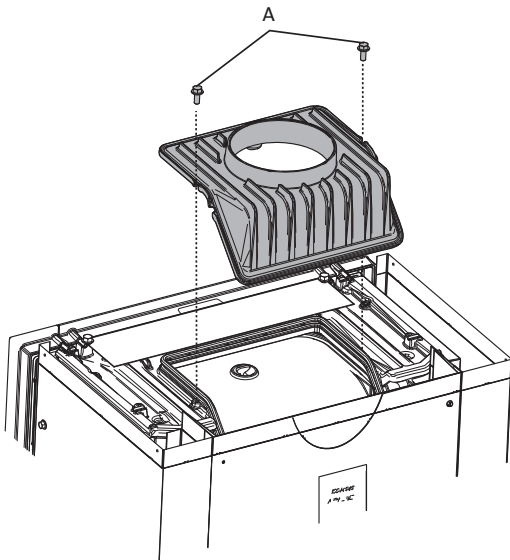
NEDERLANDS

Afb. 18



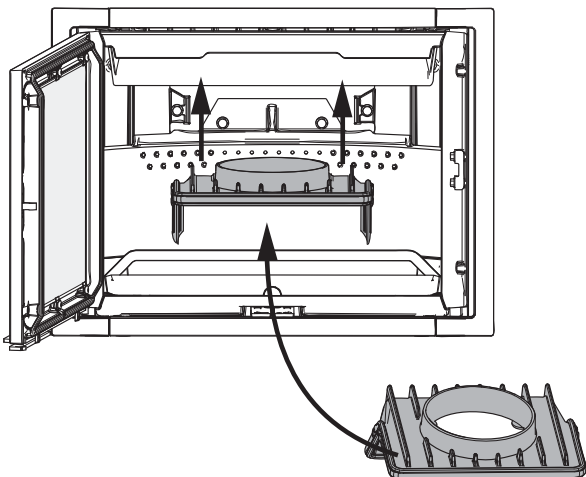
6. Laat de uitlaatplaat zakken en til deze eruit.

Afb. 19



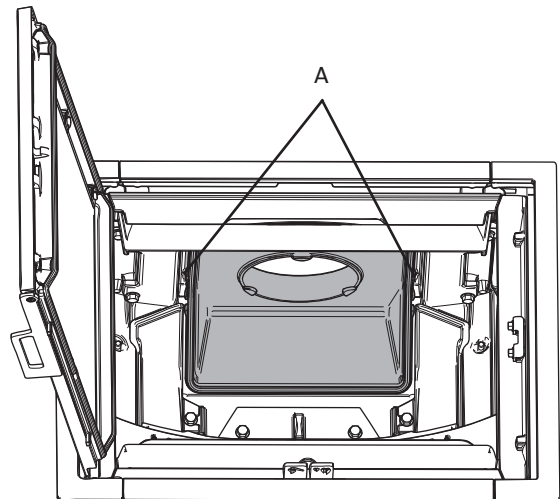
7. Verwijder de twee schroeven (A) aan beide zijden van de rookkap en til deze op.

Afb. 20



8. Bevestig de rookkap van binnenuit.

Afb. 21

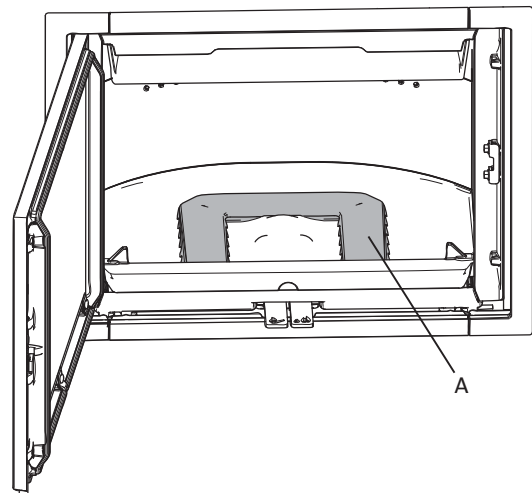


9. Draai dezelfde schroeven (A) vast van binnenuit.

Waterpas stellen van het element

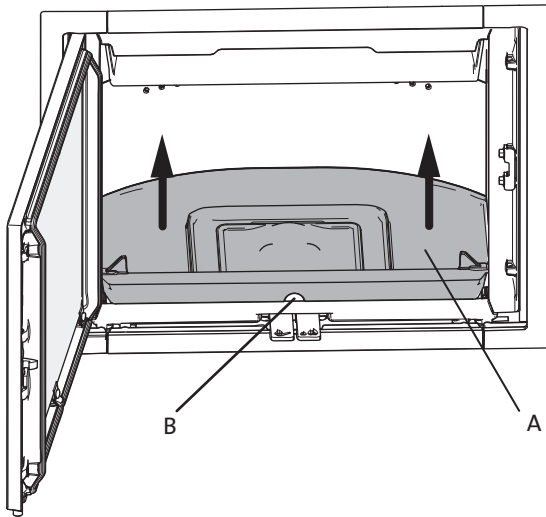
Het is van belang dat het element waterpas wordt geïnstalleerd in een gemetselde of geprefabriceerde ombouw en haard.

Afb. 22



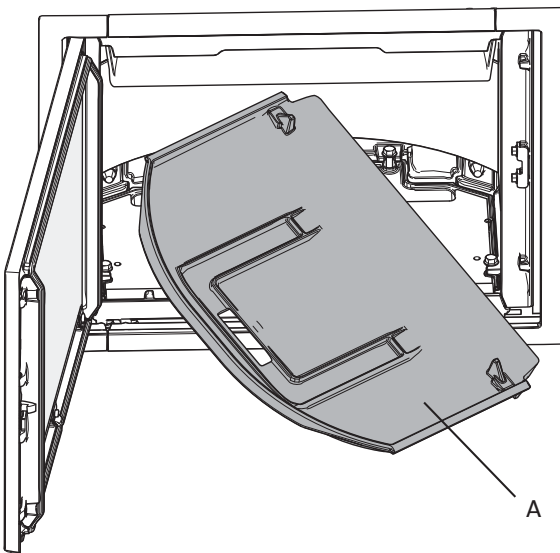
1. Til het luchtkanaal (A) op en verwijder het.

Afb. 23



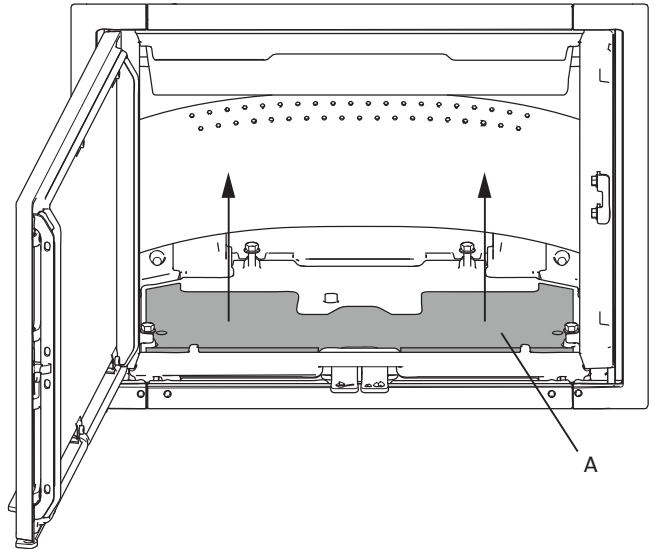
2. Pak het gat (B) vooraan in de binnenste bodemplaat vast (A) en til deze op.

Afb. 24



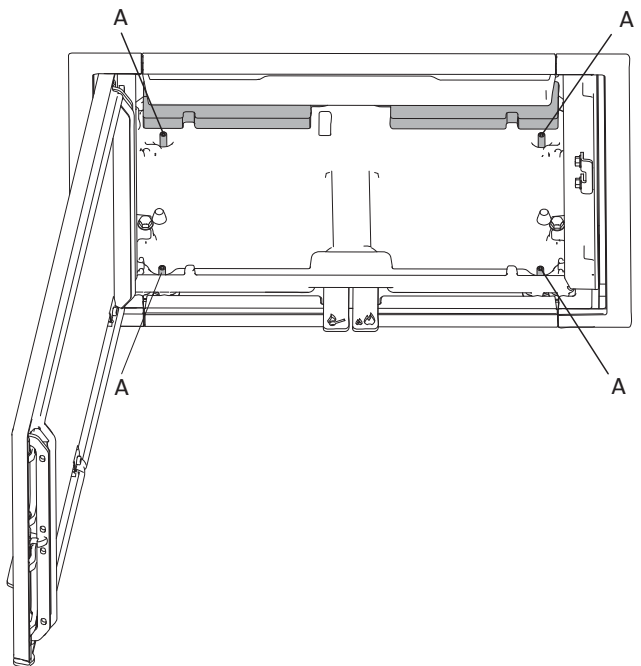
3. Draai één hoek naar u toe en trek de binnenste bodemplaat naar buiten.

Afb. 25



4. Til de isolatieplaat (A) op.

Afb. 26



5. Gebruik de bijgeleverde inbussleutel om de stelschroeven (A) af te stellen tot de verbrandingskamer waterpas is en op de goede hoogte zit.
6. Plaats de uitlaatplaat, keerplaat en zijpanelen terug.

NEDERLANDS

4.9 Installatie in een open haard

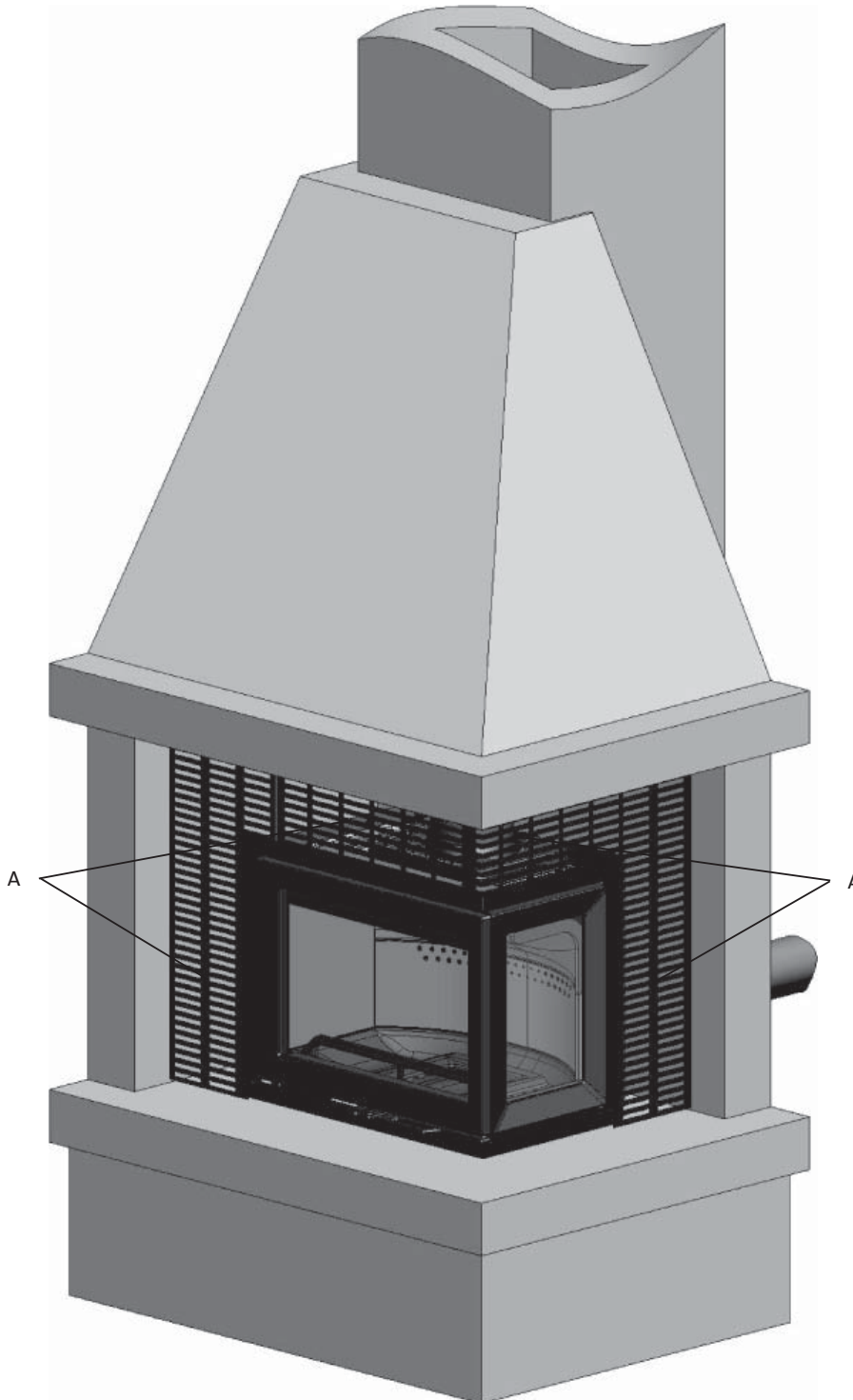
De Jøtul I 520 is ontworpen om te worden geplaatst in een bestaande gemetselde haard die aan de normen voldoet. De haard moet voldoen aan de veiligheidseisen voor het ombouwelement voor wat betreft installatie en brandbare materialen en luchtopeningen.

Er zijn verschillende opties voor installatie in (open) haarden. Hieronder worden drie opties besproken:

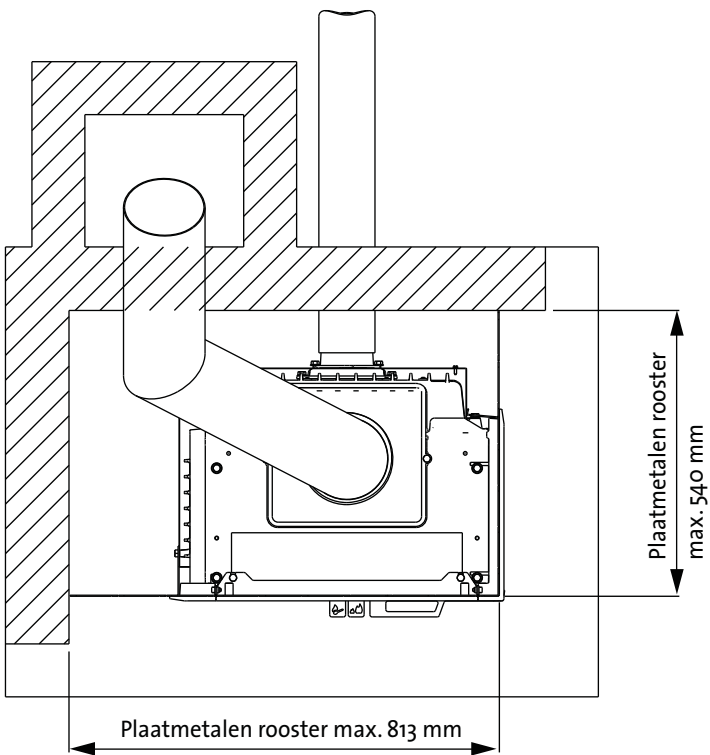
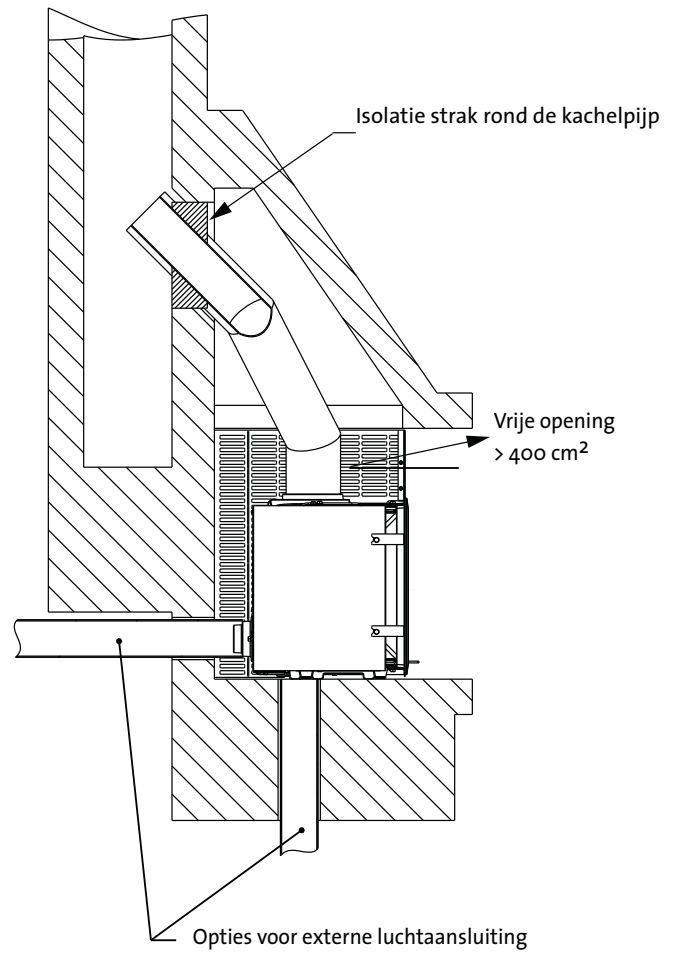
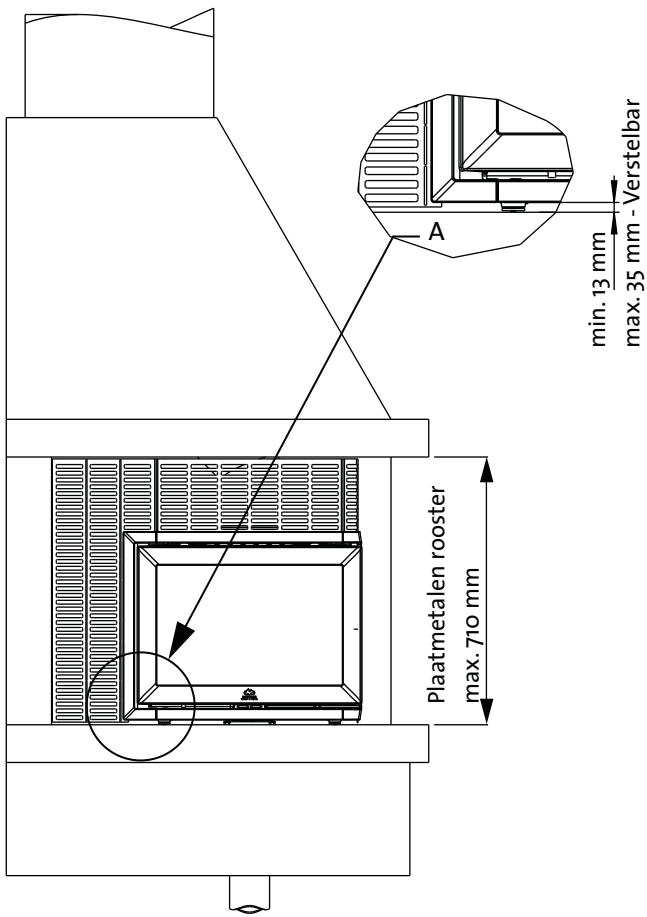
1) Plaatsing in een hoek met voldoende ruimte

Op de afbeelding ziet u de Jøtul I 520 FR (ruit in de deur en aan de rechterkant). In dit voorbeeld wordt een plaatmetalen rooster gebruikt (optioneel, artikelnr. 50045748) om de ruimte tussen het element en de haard op te vullen.

Afb. 27



Het plaatmetalen rooster (A) moet worden gesneden op de maat van de haard. Zie de afzonderlijke instructiehandleiding voor informatie over de plaatmetalen roosters.

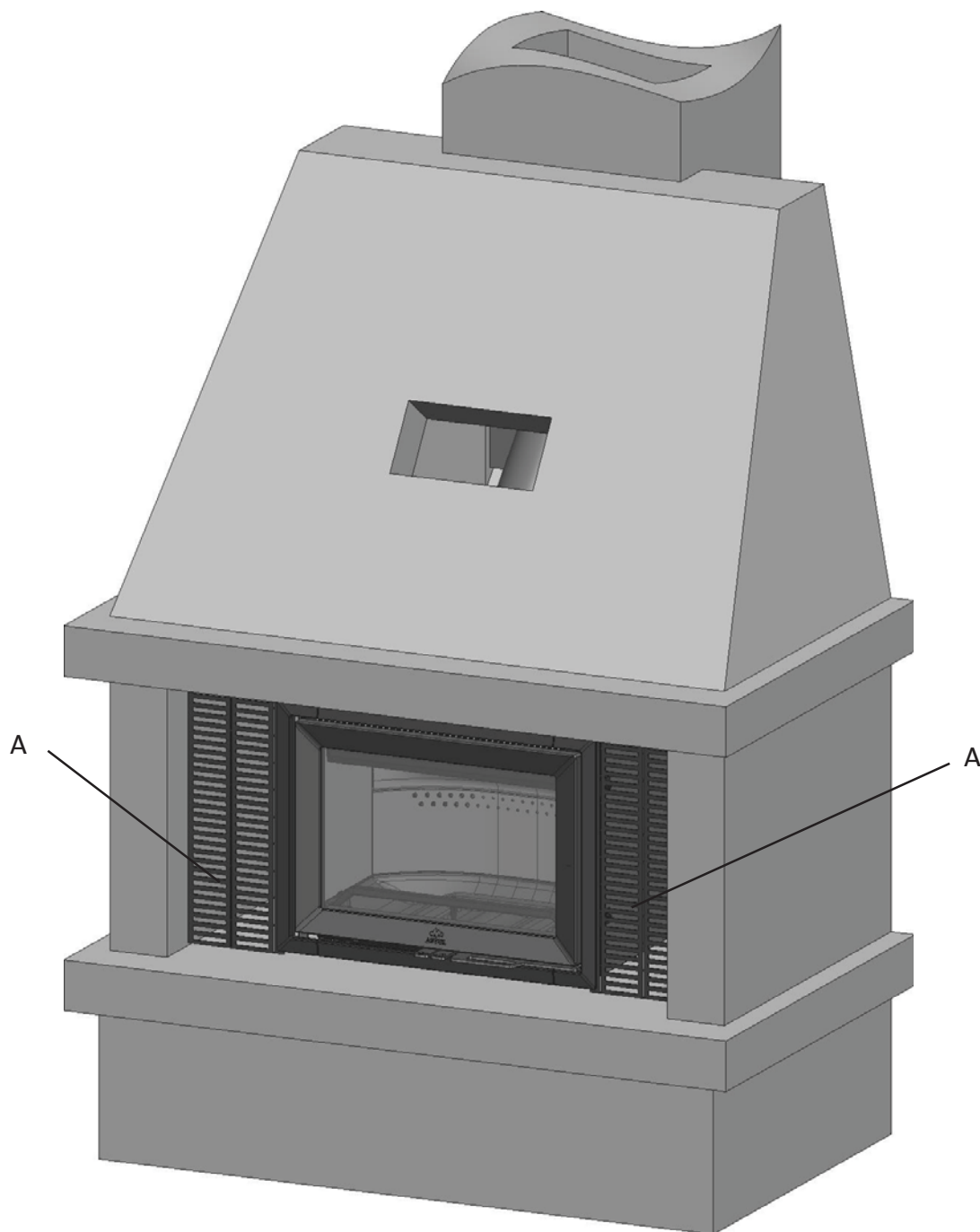


NEDERLANDS

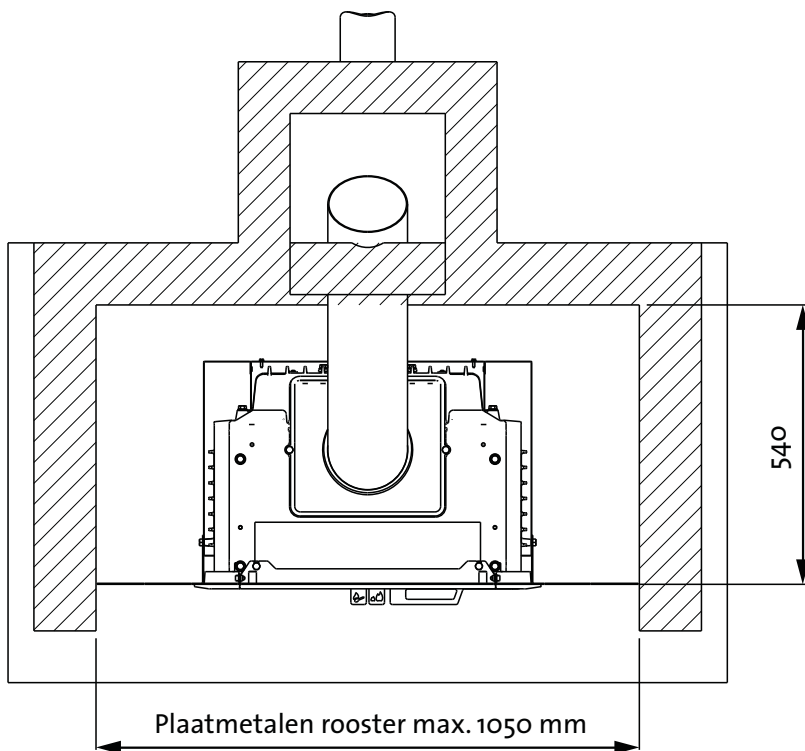
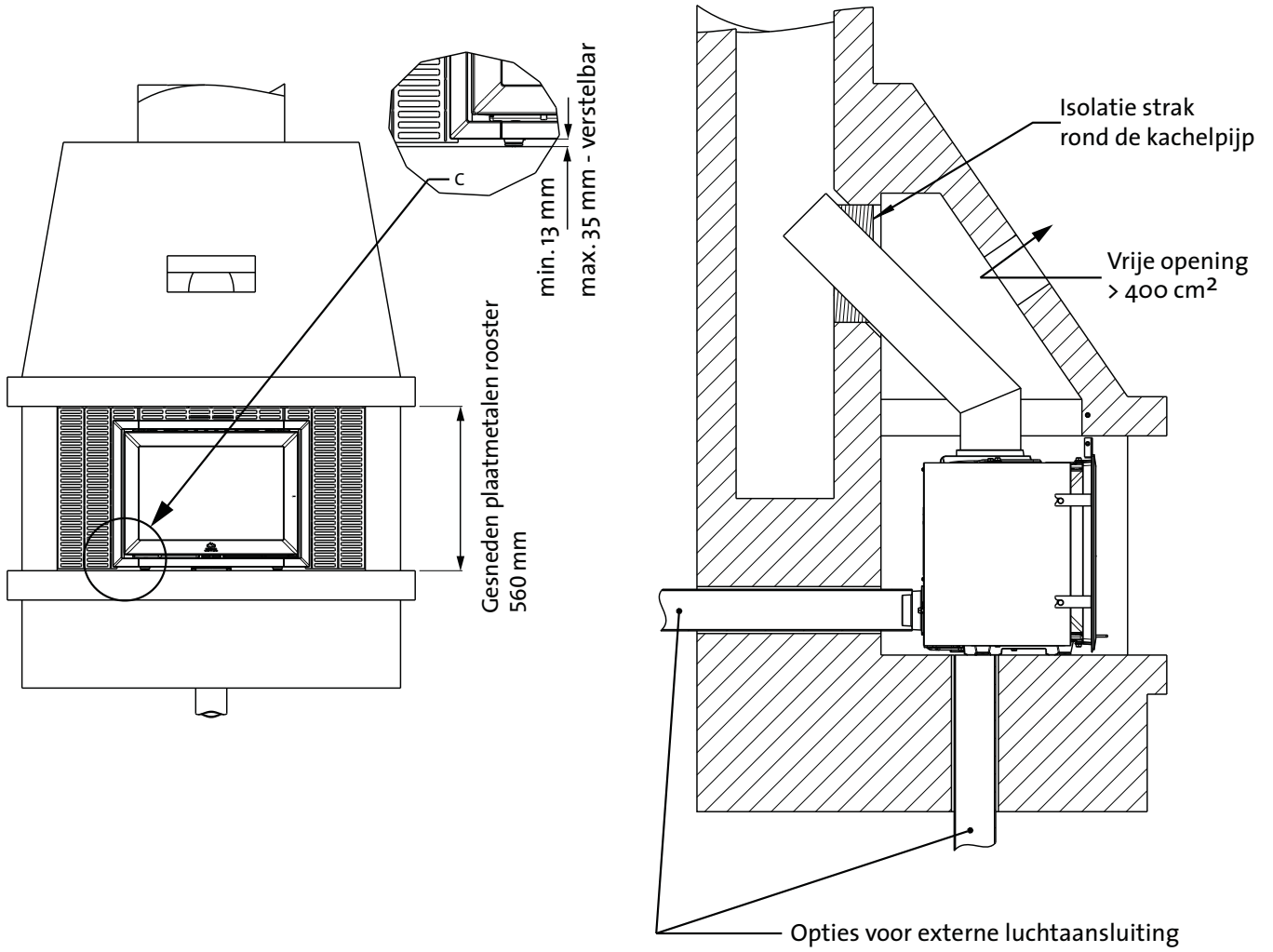
2) Installatie in een open haard

Installatie tegen een rechte muur met voldoende ruimte aan de zijkant, laag. Op de afbeelding ziet u de Jøtul I 520 F. In dit voorbeeld wordt een plaatmetalen rooster gebruikt (optioneel, artikelnr. 50045747) om de ruimte tussen het element en de haard op te vullen.

Afb. 28



Het plaatmetalen rooster (A) moet worden gesneden op de maat van de haard. Zie de afzonderlijke instructiehandleiding voor informatie over de plaatmetalen roosters.

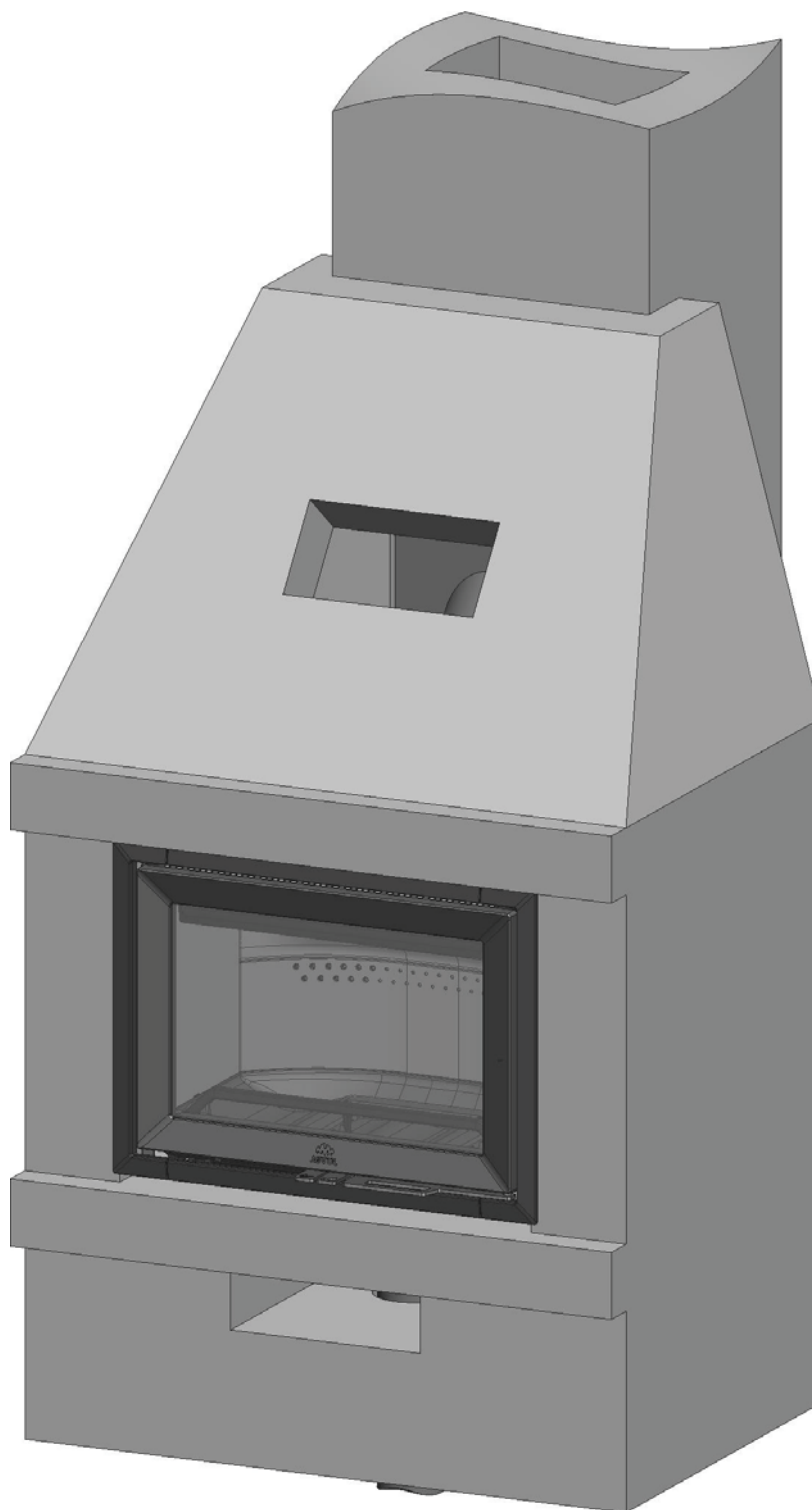


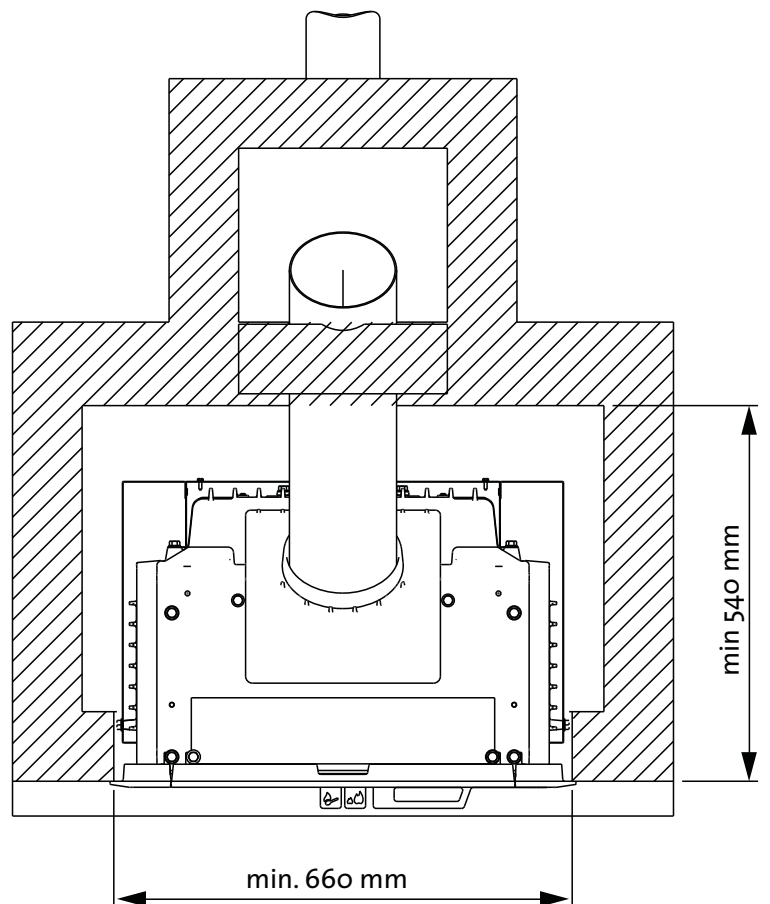
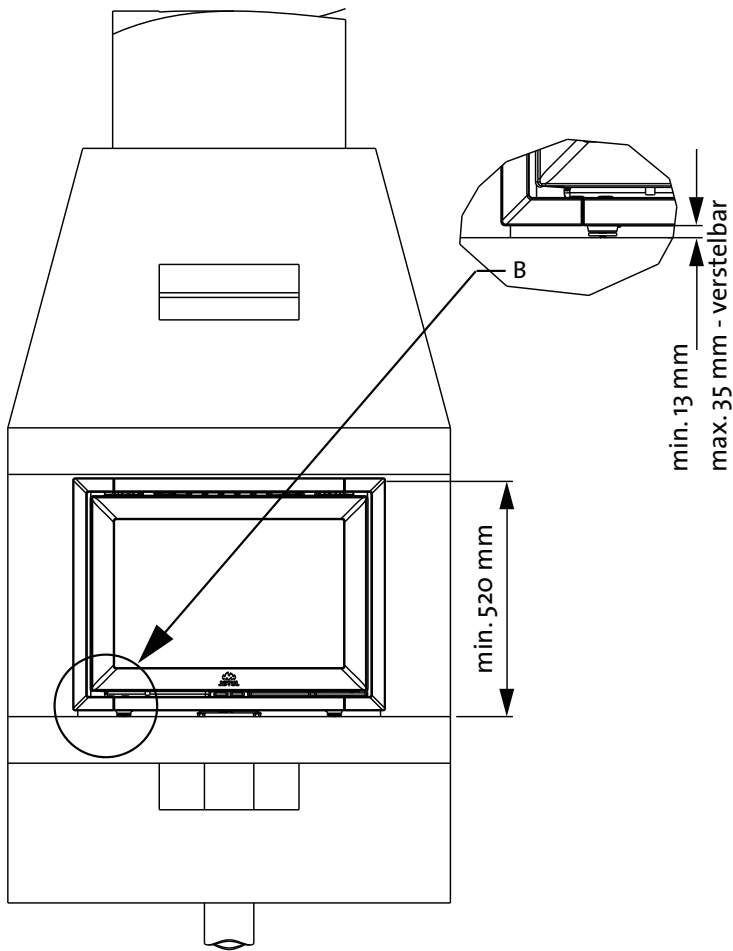
NEDERLANDS

3) Installatie in een open haard

Installatie tegen een rechte muur met weinig ruimte er direct voor. Op de afbeelding ziet u de Jøtul I 520 F met een rookkap die van binnenuit 45° is gedraaid. Zie afb. 29 voor details.

Afb. 29

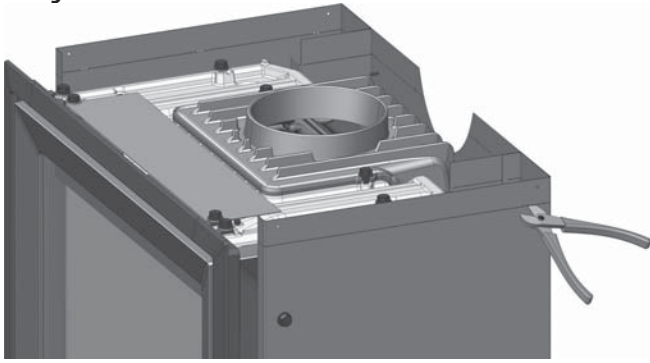




NEDERLANDS

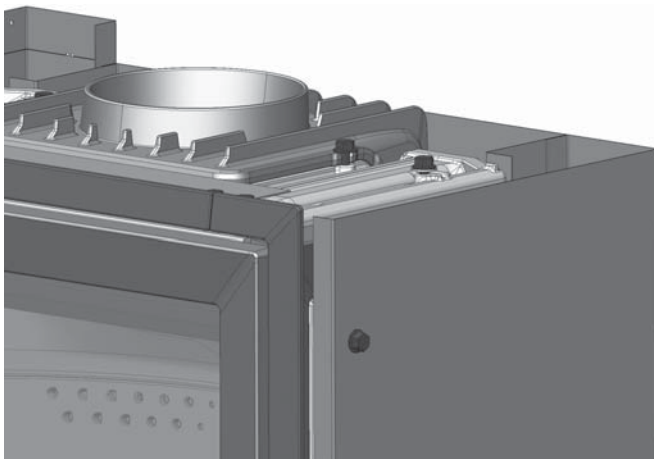
Een element plaatsen in een open haard

Afb. 30

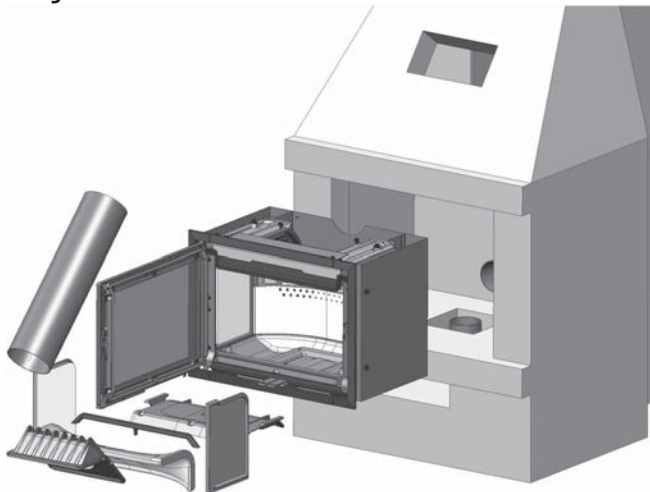


1. Snijd langs de uittikgaten aan de bovenkant van het hiteschild en verwijder dat deel.

Afb. 31

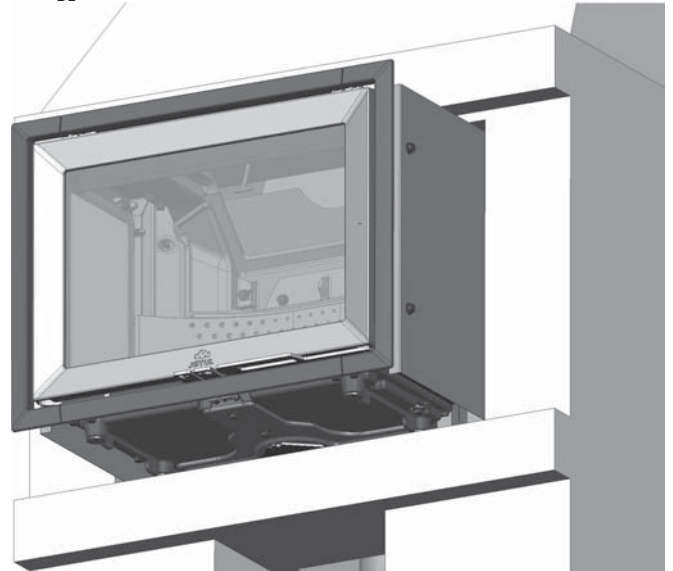


Afb. 32



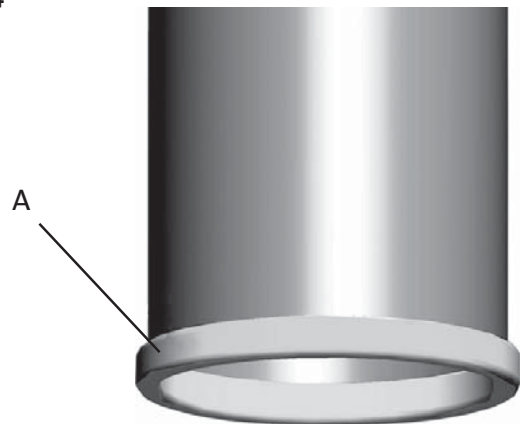
2. Voordat u de verbrandingskamer in de haard plaatst, verwijdert u de blokhouder, de branderplaten voor de zijkant en achterkant, de keerplaat en de uitlaatplaat. Deze plaatst u terug nadat de kachelpijp en de rookkap zijn geïnstalleerd. Zie de onderstaande afbeeldingen.

Afb. 33



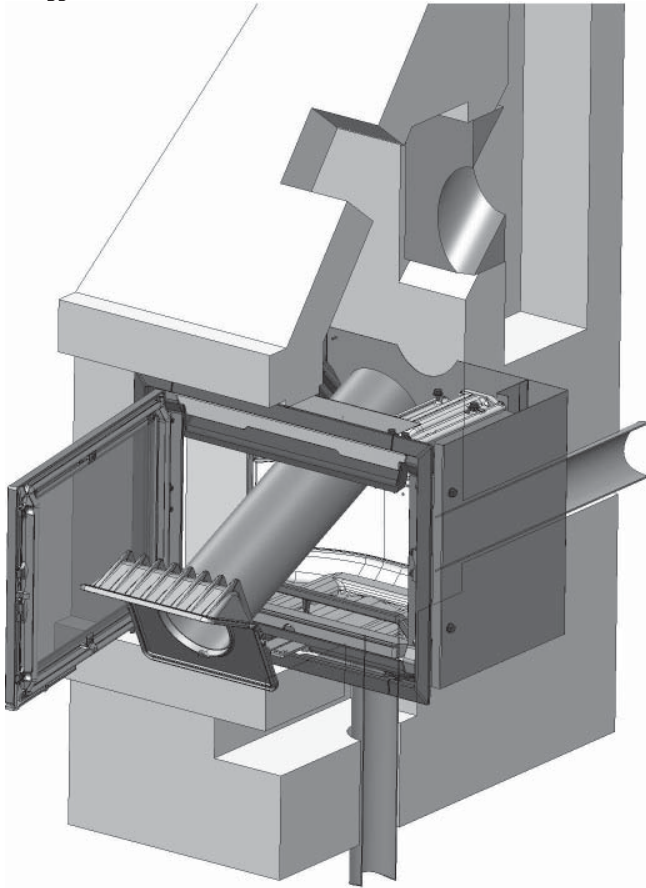
3. Schuif de verbrandingskamer in de glijders aan de onderkant totdat deze op zijn plaats zit. Stel de verbrandingskamer waterpas af, zoals beschreven in "Waterpas stellen van het element".

Afb. 34



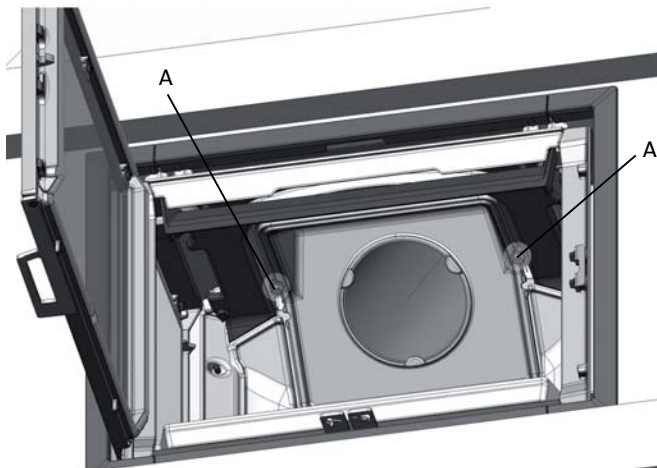
4. Plaats de pakking (A) op het uiteinde van de kachelpijp.

Afb. 35



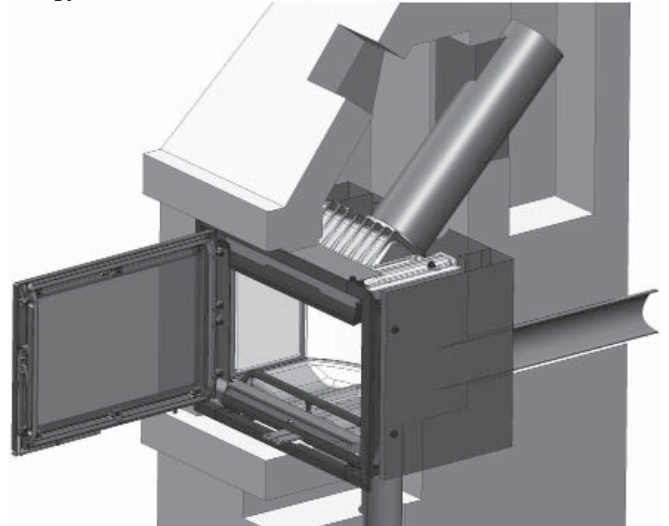
5. Bevestig de rookkap (A) aan het uiteinde van de kachelpijp waar de pakking is geplaatst.
6. Bevestig de kachelpijp met daarop de rookkap vanuit de binnenkant van de verbrandingskamer.

Afb. 36



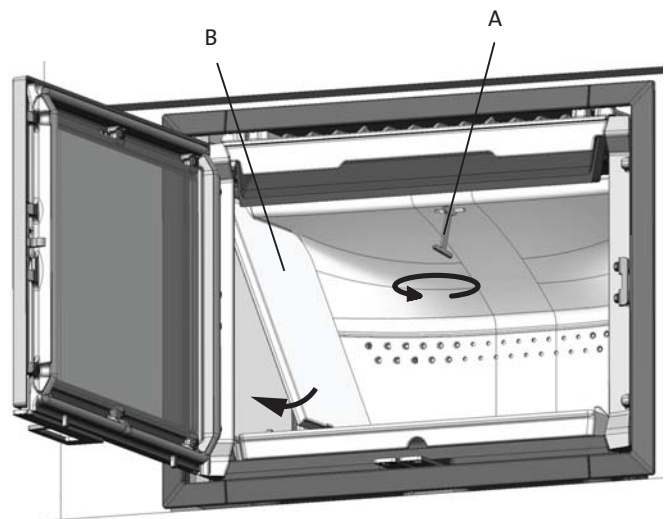
7. Bevestig daarna de rookkap met de schroeven (A) die u hebt verwijderd toen de rookkap werd verwijderd van de boventuitlaat.

Afb. 37



8. Bij installatie zoals getoond in voorbeeld 3, raden we aan de kachelpijp door de deuropening van de verbrandingskamer te leiden. Duw de kachelpijp met daarop de rookkap door de deuropening en de opening voor de rookkap en eventueel isolatiemateriaal omhoog de schoorsteen in.

Afb. 38



9. Duw de sleutel (A) omhoog door de opening in de keerplaat, draai de sleutel en zet deze vast.
10. Plaats de branderplaten voor de zijkant (B) weer terug.

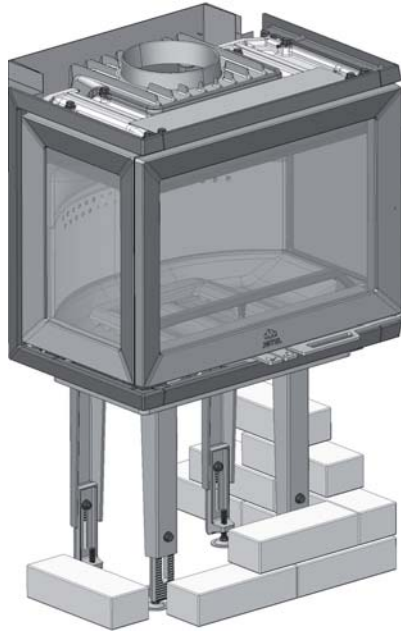
NEDERLANDS

Bij het metselen van een stenen ombouw

Bij het metselen van een stenen ombouw moet een onderstel (optioneel, artikelnr. 51044759) worden gebruikt.

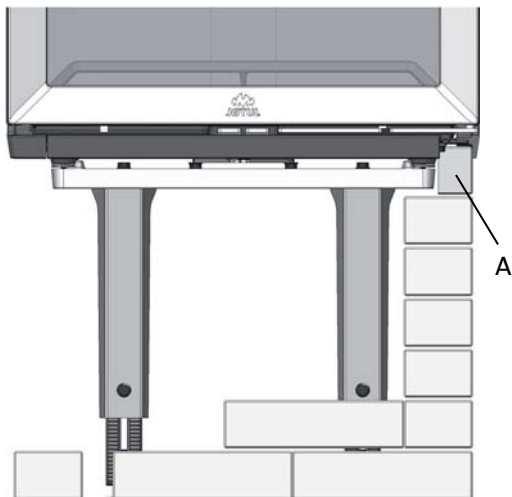
NB: Gebruik de maximale hoogte van het onderstel! Zie afb. 1 e en 1 f. Het onderstel is zo ontworpen dat er ruimte zit tussen de stenen aan de binnenkant van het geleverde frame.

Afb. 39



1. De stenen worden zo geplaatst dat ze onder het elementframe passen.

Afb. 40



De laatste stenen (A) worden zo gesneden dat ze tussen het onderstel en het frame passen. **NB: Vergeet niet openingen te laten in het metselwerk voor convectielucht (afb. 1 e en f).**

5.0 Dagelijks gebruik

5.1 Bedieningshendels

Ontstekingsopening (A)

Deze opening wordt gebruikt om het vuur aan te steken, om het vuur goed te laten branden en om meer hout toe te voegen. Bij voortdurend

gebruik van hardhout, zoals eiken- en beukenhout, kan de ontstekingsopening 0% tot 50% zijn geopend. Bij het gebruik van zacht hout, zoals berken- en dennenhout, kan de ontstekingsopening gesloten zijn.

- Instelling voor normaal gebruik: 0% tot 50%.

Luchtdoorvoer of luchtopening (B)

De doorgevoerde lucht wordt vooraf verwarmd en indirect aan het vuur toegevoegd. De doorgevoerde lucht stroomt ook langs de ruit om roetafzetting te voorkomen. Er kan roetafzetting op de ruit ontstaan als de bedieningshendel voor doorgevoerde lucht te laag is afgesteld. De warmteafgifte wordt bepaald door de doorgevoerde lucht.

- Instelling voor normaal gebruik: 40% tot 70%.

Clean Burn-technologie

De Jøtul I 520 is uitgerust met Clean Burn-technologie. De lucht gaat door een speciaal ontworpen buizensysteem. Hierdoor wordt een optimale verbranding verzekerd van de gassen die vrijkomen tijdens het verbrandingsproces. De voorverwarmde lucht komt via kleine openingen in de achterste branderplaat van de kamer in de verbrandingskamer. De luchtstroom wordt bepaald door de verbrandingssnelheid en kan dus niet worden gereguleerd.

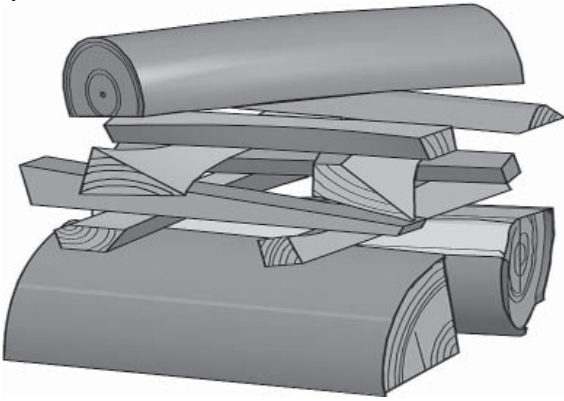
5.2 Het vuur aansteken

Belangrijk!

Indien er te weinig hout wordt gebruikt bij het aansteken van het vuur of als de stukken hout te groot zijn, wordt de optimale bedrijfstemperatuur niet bereikt in de verbrandingskamer. Dit kan leiden tot een slechte verbranding en zorgen voor een grote hoeveelheid roet of het vuur gaat uit wanneer de deur wordt gesloten.

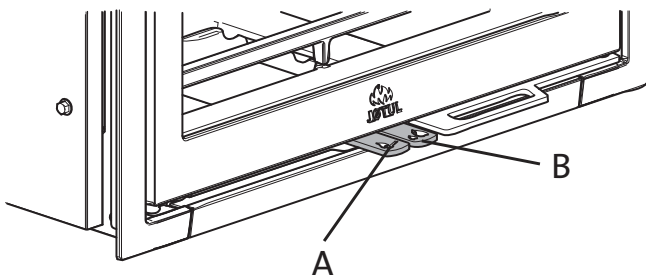
Indien het huis is voorzien van een mechanisch ventilatiesysteem, de druk in het huis negatief is en de kachel geen externe luchtaansluiting heeft, zet dan een raam open in de buurt van de kachel voor u het vuur aansteekt. Laat het raam een minuut of twee open staan tot het vuur goed brandt.

Afb. 41



- Plaats twee middelgrote blokken aan beide zijden onder in de verbrandingskamer. NB: Om te voorkomen dat er roetafzetting wordt gevormd op de ruit, moet u ervoor zorgen dat de blokken de ruit niet raken.
- Plaats aanmaakhoutjes of de schors van berkenhout tussen de blokken. Plaats wat klein gehakt hout hierboven op in een kruispatroon. Steek het vuur aan.

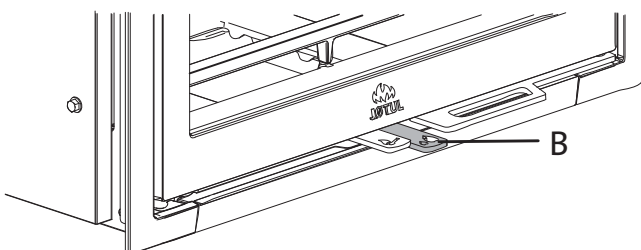
Afb. 42



- Trek de ontstekingsopening naar buiten (A) (de luchtopening (B) volgt automatisch).

5.3 Het vuur stoken

Afb. 43



- Om de warmteafgifte te regelen, is het van belang dat er een dikke laag gloeiende sintels en een hoge temperatuur aanwezig zijn in de verbrandingskamer. Plaats meer hout in de verbrandingskamer als er alleen nog gloeiende sintels over zijn. NB: Gebruik een handschoen of iets dergelijks om uw hand te beschermen als de hendels warm zijn.
- Open de deur voorzichtig om de druk in de verbrandingskamer gelijk te laten worden voordat u de deur

vollig open. Hierdoor voorkomt u dat er as en rook uit de kachel ontsnapt. Doe nooit meer hout op het vuur als dit goed brandt.

- Voeg 2 of 3 blokken toe die samen ongeveer 2 kg wegen. Om optimale verbranding te verzekeren, mogen de blokken NIET boven de twee bovenste gaten in de achterplaat uitsteken.
- Sluit de deur.
- Laat de ontstekings- en de luchtopening gedurende 2 of 3 minuten open staan tot de blokken helemaal zwart zijn en goed branden. Stel dan de ontstekings- en luchtopeningen in op 40% tot 70%.
- De omstandigheden voor het reguleren van de verbranding verschillen afhankelijk van de temperatuur in de verbrandingskamer en de schoorsteentrek.

Belangrijk! Het is belangrijk om het hout snel te laten branden en daarom raden we u aan de luchttoevoer te openen. Bij het branden op een te lage temperatuur en met te weinig lucht kan soms gas ontbranden waardoor de kachel beschadigd kan raken.

Waarschuwing voor oververhitting

Stook de kachel nooit te heet

De kachel is ontworpen en getest voor een nominaal vermogen van 7 kW. Dit komt overeen met een verbrandingssnelheid van ongeveer 2,3 kg hout per uur.

De maximale hoeveelheid per keer is 3,4 kg per uur (3-4 blokken per keer).

Belangrijk!

- Laat het vuur nooit geruime tijd branden met een volledig geopende ontstekingsopening. Een duidelijk teken van oververhitting is dat kachelonderdelen rood gloeien. In dat geval moet u de luchtopening direct verkleinen.
- Vraag om deskundig advies als u vermoedt dat de schoorsteen niet naar behoren trekt (te veel of te weinig trek).

Geur bij eerste gebruik van de kachel

Als de kachel voor de eerste keer wordt gebruikt, kan een irriterend gas vrijkomen dat onaangenaam kan ruiken. Dit gas is afkomstig van de verf aan de buitenkant die opdroogt. Het gas is niet giftig, maar u dient enkele ramen open te zetten om ervoor te zorgen dat de ruimte voldoende wordt geventileerd. Stook het vuur flink op totdat al het gas is verdwenen en er geen rookgeuren meer waarneembaar zijn.

5.4 Brandstofeisen

Houtkwaliteit

Hout hakken en opslaan

- U kunt elk soort hout als brandhout gebruiken. Hardere houttypes, zoals beuken- en essenhout, zijn meestal beter, aangezien ze gelijkmatiger branden en minder as veroorzaken. Andere houttypes, zoals esdoorn-, berken- en sparrenhout, zijn ook zeer geschikt als brandhout.
- Brandhout is het best als u de boom voor 1 mei omhakt en het hout in blokken hakt.
- Denk eraan dat u de blokken hakt op de maat van de verbrandingskamer van de kachel. We raden een diameter van 6 tot 10 centimeter aan en de lengte moet ongeveer 6 millimeter korter zijn dan de verbrandingskamer, zodat er genoeg ruimte is om de lucht te laten circuleren. Blokken met een grotere diameter moeten eerst kleiner worden gemaakt.

NEDERLANDS

Gespleten hout droogt sneller.

- Gezaagd en gehakt hout moet op een droge plek gedurende 1 of 2 jaar worden bewaard voordat het droog genoeg is om te worden gebruikt.
- Het is verstandig om blokken enkele dagen op kamertemperatuur te bewaren voor u ze gebruikt.

Vocht

Ter voorkoming van milieuproblemen en voor een optimale verbrandingsefficiëntie moet het hout volledig droog zijn voordat het wordt gebruikt als brandhout:

- Het vochtgehalte mag niet meer zijn dan 20%.
- Een vochtgehalte tussen 15% en 18% levert het beste resultaat op. U kunt eenvoudig controleren of hout droog is door twee blokken tegen elkaar te slaan. Als het hout nog vochtig is, klinkt het dof als u de blokken tegen elkaar aan slaat.
- Als het gebruikte hout te vochtig is, wordt de meeste hitte die wordt geproduceerd gebruikt om het water te verdampen. De kachel wordt niet warm en verwarmt de kamer niet. Dit is niet economisch. Ook zorgt het voor roetafzetting op de ruit, in de verbrandingskamer en in de schoorsteen. Het verbranden van vochtig hout veroorzaakt ook verontreiniging.

Let er goed op dat u de volgende materialen nooit als brandstof voor uw haard gebruikt:

- Huishoudelijk afval, plastic tassen, enz.
- Geverfd of geïmpregneerd hout (dat is uiterst giftig).
- Gelamineerde houten planken.
- Drijfhout

Deze kunnen schade toebrengen aan het product en zijn ook vervuilend.

NB: Gebruik nooit benzine, paraffine, methylalcohol of dergelijke vloeistoffen om het vuur aan te steken. Dit kan leiden tot ernstig persoonlijk letsel en schade aan het product.

5.5 Houtverbruik

Houtverbruik, bij nominale warmteafgifte: ca. 2,3 kg/u.

De blokken moeten het volgende formaat hebben:

Aanmaakhout (fijngehakt hout):

Lengte: 30 - 50 cm

Diameter: 6 - 10 cm

Hoeveelheid aanmaakhout: 3 blokken van elk 0,6-0,8 kg en 10 tot 12 stukken hout van ongeveer 1 kg in totaal.

Het vuur stoken:

Hout (gekloofd hout):

Lengte: 30 - 50 cm

Benodigd aantal per keer: 2 of 3 blokken van elk 0,7 kg, d.w.z. 1,5-2,0 kg per keer.

Stookfrequentie: Ongeveer elke 50 minuten

De nominale warmteafgifte wordt bereikt wanneer de luchtopening ongeveer 40% tot 70% is geopend en de ontstekingsopening 0% tot 50% is geopend.

Bij het testen in overeenstemming met de norm EN 13229 worden 3 stukken van 1,7 kg gebruikt.

Openingen: De ontstekingsopening is 50% geopend en de luchtopening is ook 50% geopend.

6.0 Onderhoud

6.1 Glas reinigen

De roetlaag wordt gewoonlijk grotendeels weggebrand wanneer de ventilatieopening helemaal open staat en de haard flink brandt.

Goed advies! Maak voor een gewone schoonmaakbeurt een papieren handdoek nat met warm water en voeg er wat as uit de stookplaats aan toe. Wrijf met het papier over het glas en neem het glas daarna af met schoon water. Laat het glas goed drogen. Wanneer het glas grondig moet worden gereinigd, adviseren wij om glasreiniger te gebruiken (*volg de gebruiksaanwijzing op de verpakking*).

6.2 As verwijderen

- **Belangrijk! U mag de as alleen verwijderen als de haard koud is.**
- Gebruik een schep of iets dergelijks om de as via de deur te verwijderen.
- Laat altijd een laagje as als beschermlaag op de bodem van de haard liggen.

6.3 Schoonmaken en verwijderen van roet

Tijdens gebruik kan zich roet afzetten op de binnenwanden van de haard. Roet werkt isolerend en kan daardoor de warmteafgifte van de haard verminderen. Als er zich te veel roet ophoopt, kunt u dit met een roetverwijderaar eenvoudig verwijderen.

Een jaarlijkse schoonmaakbeurt van de binnenkant is nodig voor een optimale warmteafgifte van uw product. Het is verstandig dit gelijktijdig te doen met het schoonmaken van de schoorsteen en de kachelpijp.

6.4 Kachelpijpen vegen tot aan de schoorsteen

Kachelpijpen moeten worden geveegd via een veegluik voor de kachelpijp of via de deuropening.

Eerst moet een van de schotten worden verwijderd om dit te kunnen doen.

6.5 Inspectie van de haard

Jøtul raadt u aan om na het reinigen/vegen zelf een grondige inspectie van de haard uit te voeren. Controleer alle zichtbare oppervlakken op scheuren. Controleer ook of alle verbindingstukken goed zijn afgesloten en of de pakkingen zich in de juiste positie bevinden. Een pakking die tekenen van slijtage of vervorming vertoont, moet worden vervangen.

Maak de groeven van de pakking grondig schoon, breng keramische lijm aan (verkrijgbaar bij uw lokale Jøtul-dealer) en druk de pakking stevig aan. De lijm heeft een korte droogtijd.

6.6 De buitenkant onderhouden

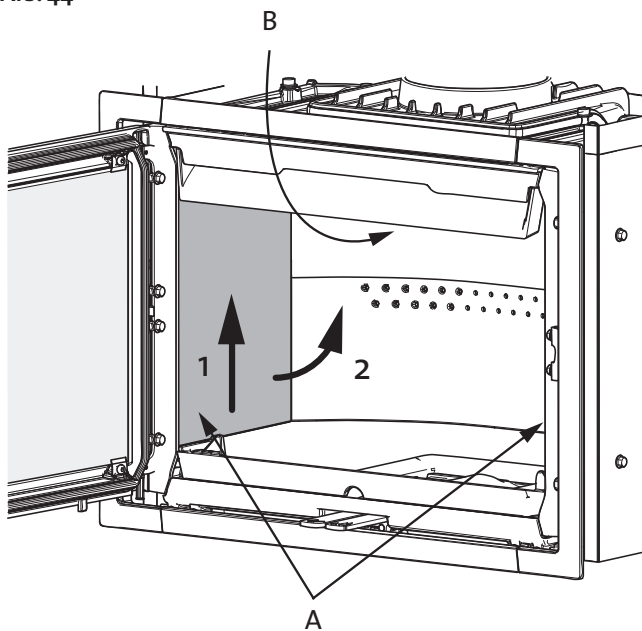
Bij gelakte producten kan er na een paar jaar verkleuring optreden. Voordat u een nieuwe laag verf aanbrengt, moet u het oppervlak reinigen en alle losse deeltjes wegvegen.

7.0 Groot onderhoud

Waarschuwing! Er mogen geen wijzigingen aan het product worden uitgevoerd die niet door ons zijn goedgekeurd!
Gebruik uitsluitend originele reserveonderdelen!

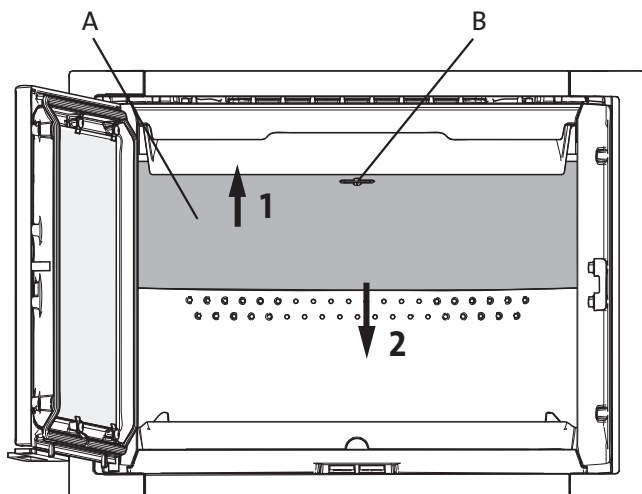
7.1 De branderplaten, keerplaat en uitlaatplaat vervangen

Afb. 44



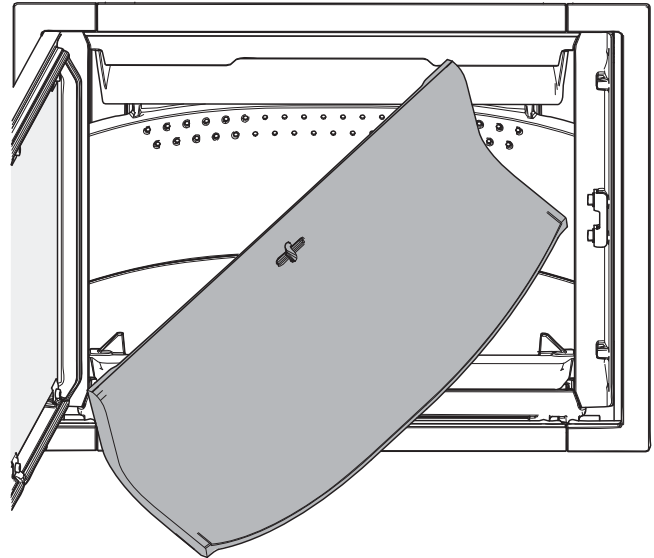
1. Verwijder eerst de blokhouder (afb. 13 A).
2. Verwijder de branderplaat voor de zijkant (A) door deze een klein stukje op te tillen terwijl u de keerplaat (B) omhoog houdt. Trek de branderplaat voor de zijkant er aan de onderkant uit.
3. Verwijder dan de andere branderplaat voor de zijkant op dezelfde wijze als de eerste terwijl u de keerplaat een stukje optilt.

Afb. 45



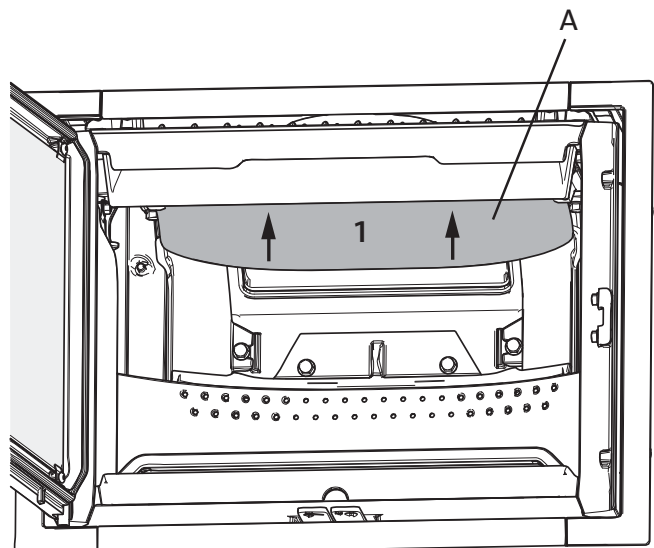
4. Til eerst de keerplaat (A) op. Draai de sleutel (B) 90° en verwijder deze dan. Trek de achterkant van de keerplaat naar beneden.

Afb. 46



5. Draai één hoek naar u toe en trek deze zijdelings naar buiten.

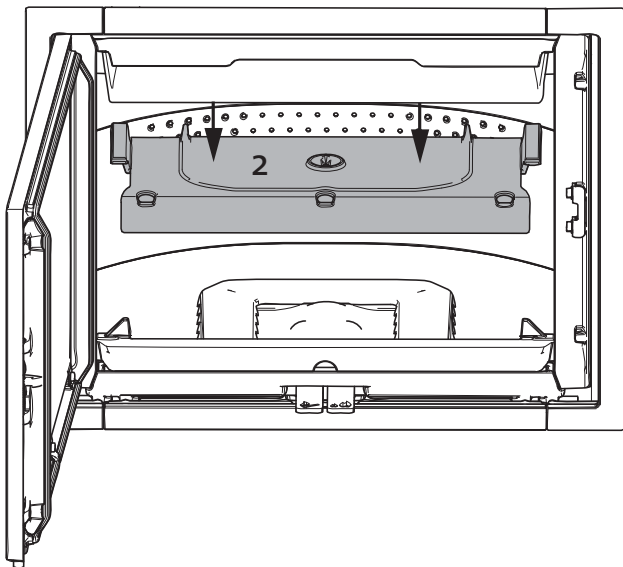
Afb. 47



6. Verwijder daarna de uitlaatplaat (A) door deze eerst een klein stukje op te tillen. Duw de uitlaatplaat daarna naar achteren.

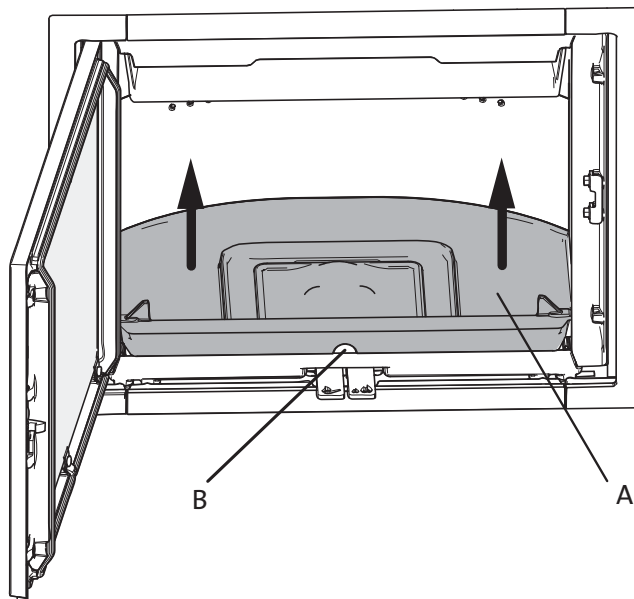
NEDERLANDS

Afb. 48



7. Laat de uitlaatplaat zakken en til deze eruit.
8. Volg voor het installeren dezelfde procedure in omgekeerde volgorde.

Afb. 50

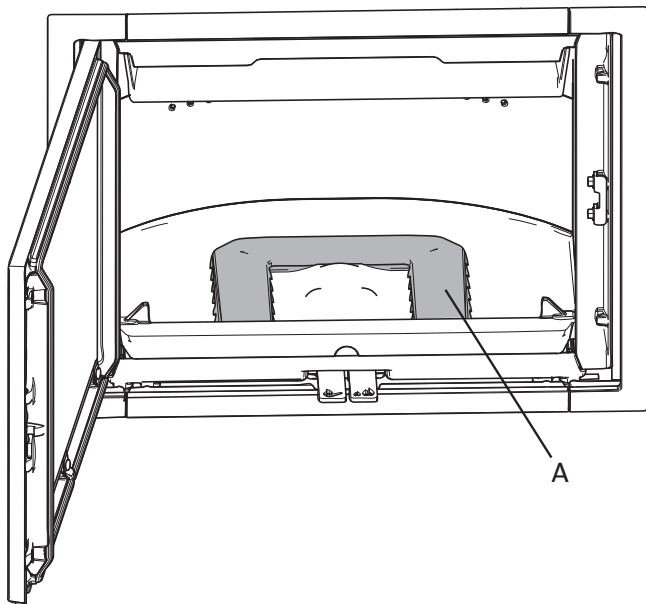


2. Pak het gat (B) vooraan in de binnenste bodemplaat vast (A) en til deze op.

7.2 Het luchtkanaal en de binnenste bodemplaat vervangen

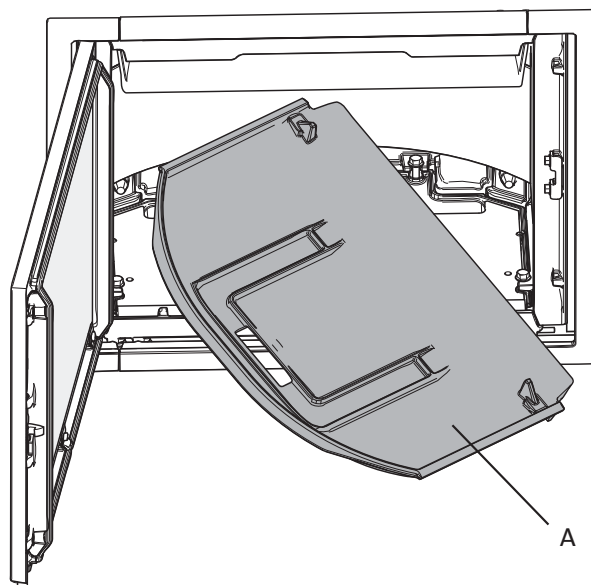
Het is van belang dat het element waterpas wordt geïnstalleerd in een gemetselde of geprefabriceerde ombouw en haard.

Afb. 49



1. Til het luchtkanaal (A) op en verwijder het.

Afb. 51



3. Draai één hoek naar u toe en trek de binnenste bodemplaat naar buiten.
4. Volg voor het installeren dezelfde procedure in omgekeerde volgorde.

8.0 Opties

8.1 Onderstel, compleet

Artikelnr. 51044759

8.2. Deurvergrendeling, compleet, links

Voor een deur met scharnieren rechts

Artikelnr. 50045754

8.3 Frames

Frame voor de Jøtul I 520 F

Artikelnr. 50045750

Frame voor de Jøtul I 520 FL/FR

Artikelnr. 50045751

Frame voor de Jøtul I 520 FRL

Artikelnr. 50045752

8.4 Convectiebovenplaat, compleet I 520 F

Artikelnr. 50045755

8.5 Plaatmetalen rooster

Plaatmetalen rooster voor de Jøtul I 520 F

Artikelnr. 50045747

Plaatmetalen rooster voor de Jøtul I 520 FR

Artikelnr. 50045748

Plaatmetalen rooster voor de Jøtul I 520 FL

Artikelnr. 50045749

9.0 Recycling

9.1 Recyclen van de verpakking

Uw kachel wordt in de volgende verpakking geleverd:

- Een houten pallet dat in stukken gesneden en in de kachel verbrand kan worden.
- Een kartonnen verpakking die naar een plaatselijke faciliteit voor recyclen van materialen gebracht moet worden.
- Plastic zakken die naar een plaatselijke faciliteit voor recyclen van materialen gebracht moet worden.

9.2 Recyclen van de kachel

De kachel is gemaakt van:

- Metaal dat naar een plaatselijke faciliteit voor recyclen van materialen gebracht moet worden.
- Glas dat afgedankt moet worden als gevaarlijk afval. Het glas van de kachel mag niet via het normale gescheiden afval worden afgedankt.
- Platen in de verbrandingskamer van vermiculiet die via het normale afval mogen worden afgedankt.

10.0 Garantie

Jøtul AS biedt haar klanten een garantie van tien jaar inclusief het recht op teruggaaf van externe gietijzeren items ingeval deze defecten vertonen als gevolg van verkeerde materialen en/of fabricage na de initiële aankoop/installatie van de kachel. De koper behoudt het recht goederen terug te geven onder voorwaarde dat de kachel is geïnstalleerd in overeenstemming met huidige wet- en regelgeving en in overeenstemming met de installatie- en bedieningsinstructies van Jøtul.

De garantie dekt niet:

De installatie van optionele extra's, bijv. om de trek in de schoorsteen ter plekke, of de luchttoevoer of andere omstandigheden buiten de invloedssfeer van Jøtul te corrigeren. De garantie dekt geen verbruiksgoederen zoals brandplaten, rookschotten, vuurroosters, bodemroosters, hittebestendig materiaal, dempers en pakkingen, aangezien deze in de loop der tijd achteruitgaan als gevolg van normale slijtage. De garantie dekt geen schade als gevolg van het gebruik van niet-geschikte brandstof bij het ontsteken van het vuur, zoals bijvoorbeeld drijfhout, geïmpregneerd of geverfd hout, plankdelen, chipplaten, enz. Oververhitting kan eenvoudig optreden ingeval van gebruik van niet-geschikte brandstof, d.w.z. dat de kachel gloeiend rood wordt, met als gevolg dat de verf verkleurt en de gietijzeren delen scheuren.

De garantie is niet geldig ingeval van schade tijdens het vervoer van de distributeur naar het afleveradres. De garantie is eveneens niet geldig ingeval van schade als gevolg van het gebruik van niet-originele onderdelen.

DEUTSCH

Inhalt

1.0 Technische Daten	62
2.0 Behördliche Auflagen	62
3.0 Sicherheit.....	63
4.0 Installation	63
5.0 Tägliche Nutzung	86
6.0 Pflege.....	88
7.0 Instandhaltung.....	89
8.0 Zusatzausstattung	91
9.0 Recycling.....	92
9.0 Garantie.....	92

1.0 Behördliche Auflagen

Die Kamininstallation muss gemäß den geltenden nationalen Gesetzen und Regelungen erfolgen.

Bei der Produktinstallation müssen alle lokalen und nationalen Bestimmungen sowie europäische Richtlinien eingehalten werden.

Das Produkt wird mit einer Montageanleitung mit technischen Daten sowie einer allgemeinen Verwendungs- und Pflegeanleitung ausgeliefert. Die Installation darf erst nach Abnahme und Freigabe durch eine autorisierte Instanz in Betrieb genommen werden.

Eine Plakette mit Produktinformationen aus hitzebeständigem Material befindet sich auf dem Hitzeschild an der Rückseite des Produkts. Sie enthält Informationen über Kennzeichnung und Dokumentation des Produkts.

2.0 Technische Daten

Material:	Gusseisen
Oberfläche:	Lackiert
Brennstofftyp:	Holz
Max. Scheitlänge:	50 cm
Rauchabzug:	Oben
Rauchgasrohrmaße:	Ø 200 mm/314 cm ² Querschnitt
Gewicht:	Ca. 125 kg
Sonderzubehör:	Beingestellt komplett, Türverschluss komplett - links, Rahmen, Konvektionsdeckplatte komplett Jøtul I 520 F, Blechgitter

Produktabmessungen, Abstände: Siehe **Abb. 1**

Technische Daten gemäß EN 13229

Nennheizleistung:	7 kW
Wirkungsgrad:	77%
CO-Emissionen (13% O ₂):	0,07%
CO-Emissionen (13% O ₂):	884 mg/Nm ³
OGC-Emissionen (13% O ₂):	60 mg/Nm ³
Staubemissionen (13% O ₂):	14 mg/Nm ³
Rauchgastemperatur:	305°C
Rauchgasdurchfluss:	7,1 g/s
Schornsteinzug, EN 13229:	12 Pa
Empfohlener Zug mit Rauchabzug:	16-18 Pa
Brennstoffverbrauch:	2,3 kg/h
Anmachholzmenge:	1,7 kg
Max. Anmachholzmenge:	jeweils 3,4 kg und 3,8 kg/h
Betrieb:	Periodisch

Als periodische Verbrennung wird hier der normale Gebrauch eines Ofens bezeichnet. Um weiterhin Wärme zu erzeugen, legen Sie mehr Brennstoff nach, wenn von der vorherigen Holzladung nur noch Glut übrig ist.

Product: Jøtul Room heater fired by solid fuel				
Standard Minimum distance to adjacent combustible materials: : Emission of CO in combustion products: : Flue gas temperature : Nominal heat output : Efficiency : Operational range : Fuel type : Operational type : The appliance can be used in a shared flue.				
Country	Classification	Certificate/standard	Approved by	
Norway	Måse II			
Sweden	xxx	SP	SP Sveriges Provnings- och Forskningsinstitut AB	
EUR	Intermittent	EN	SP Swedish National Testing and Research Institute	
Follow user's instructions. Use only recommended fuels. Montage- und Bedienungsanleitung beachten. Verwenden Sie nur empfohlenen Brennstoffen. Respectez les consignes d'utilisation. Utilisez uniquement les combustibles recommandés.				
Serial no: Y-xxxx, Year: 200x				
Manufacturer: Jøtul AS POB 1441 N-1502 Fredrikstad Norway				221566

Auf allen Produkten ist ein Schild mit der Seriennummer und dem Baujahr angebracht. Schreiben Sie diese Nummer an die in den Aufstellungsanweisungen angegebene Stelle. Nennen Sie immer diese Seriennummer, wenn Sie sich an den Händler oder an Jøtul wenden.

Serial no.

3.0 Sicherheit

Hinweis: Um maximale Leistung und Sicherheit zu gewährleisten, empfiehlt Jøtul, seine Kamine von ausgebildetem Fachpersonal installieren zu lassen. (Eine vollständige Händlerliste finden Sie unter www.jotul.com.)

Jegliche Veränderungen am Produkt, die durch einen Händler, Installateur oder Kunden vorgenommen werden, können dazu führen, dass das Produkt oder seine Sicherheitsfunktionen nicht wie vorgesehen arbeiten. Dasselbe gilt für die Installation von Zubehör oder Zusatzausstattung, die nicht von Jøtul geliefert wird. Dies kann ebenfalls gelten, wenn wichtige Komponenten für Funktionsweise und Sicherheit demontiert oder entfernt wurden.

In allen genannten Fällen haftet der Hersteller nicht für das Produkt und sämtliche Garantieransprüche erlöschen.

3.1 Brandschutzmaßnahmen

Jede Nutzung des Kamins stellt eine potenzielle Gefahrensituation dar. Daher müssen die folgenden Vorgaben befolgt werden:

- Die minimalen Sicherheitsabstände für die Kaminnutzung werden auf **Abb. 1** angegeben.
- Stellen Sie sicher, dass sich Möbel und andere brennbare Materialien nicht zu dicht am Kamin befinden. Brennbare Materialien müssen **mindestens 1 m** vom Kamin entfernt sein.
- Lassen Sie das Feuer vollständig herunterbrennen. Löschen Sie niemals Flammen mit Wasser.
- Ein entzündeter Kamin ist heiß und kann bei Berührung Verletzungen hervorrufen.
- Entfernen Sie nur dann Asche, wenn der Kamin abgekühlt ist. Asche kann heiße Glut enthalten und sollte daher in einen nicht brennbaren Behälter gefüllt werden.
- Asche ist im Außenbereich aufzubewahren oder an einem Ort zu entleeren, an dem keine potenzielle Feuergefahr besteht.

Im Falle eines Feuers im Schornstein

- Schließen Sie alle Be- und Entlüftungsöffnungen.
- Halten Sie die Brennkammertür geschlossen.
- Überprüfen Sie Dachboden und Keller auf Rauch.
- Rufen Sie die Feuerwehr.
- Vor dem erneuten Betrieb nach einem Feuer muss der Schornsteinfeger Kamin und Schornstein überprüfen, um deren vollständige Funktionstüchtigkeit sicherzustellen.

4.0 Installation

Jøtul I 520 kann in einer vorgefertigten Ummantelung, in einer Ummantelung aus Ziegeln und in einem vorhandenen offenen Kamin (Ofen) installiert werden.

Bei der Installation in einer vorgefertigten Ummantelung ist die Bedienungsanleitung für die Ummantelung zu beachten.

Beim Herstellen einer Ummantelung aus Ziegeln muss das Beingestell (optional, Art.nr. 51044759) verwendet werden. Siehe **Abb. 1 e und f**.

Bei der Installation in einem vorhandenen gemauerten Kamin, der den geltenden Bestimmungen entspricht, müssen ebenfalls die Anforderungen für die Einsatzummantelung hinsichtlich brennbaren Materialien und Luftzufuhr erfüllt sein. Siehe **Abb. 1 c, d, e, und f**.

4.1 Boden

Fundament

Stellen Sie sicher, dass das Fundament für eine Feuerstelle ausgelegt ist. Das Gewicht geht aus Abschnitt **2.0 Technische Daten** hervor.

Anforderungen für den Schutz von Holzfußböden unter der Feuerstelle

Das Produkt kann direkt auf einem Holzfußboden aufgestellt werden, der von einem Metallblech oder anderem nicht brennbarem Material abgedeckt ist. Die empfohlene Mindeststärke beträgt **0,9 mm**. Die Platte muss den gesamten Boden innerhalb der Ummantelung abdecken. Der Abstand zwischen Boden und Rahmen muss mindestens 428 mm sein (siehe **Fig. 1f**).

Es wird empfohlen, schwimmend verlegte Böden, die nicht mit dem Fundament verbunden sind, unter der Installation zu entfernen. Bodenbeläge aus brennbarem Material wie Linoleum, Teppichboden usw. müssen unter der Bodenplatte entfernt werden.

Anforderungen für den Schutz von brennbaren Böden vor der Feuerstelle

Der Boden vor dem Kamin muss mit einem Metallblech oder anderem nicht brennbarem Material geschützt werden. Die empfohlene Mindeststärke beträgt 0,9 mm.

Die Fußbodenplatte muss den geltenden nationalen Gesetzen und Regelungen entsprechen.

Bei der örtlichen Baubehörde erhalten Sie Informationen zu Einschränkungen und Auflagen bei der Installation.

4.2 Wand

Abstand zu brennbarer Wand, die per Isolation geschützt ist (Abb. 1)

Jøtul I 520 kann in einer offenen Konstruktion/Ummantelung installiert werden, wenn der Wandabstand (zu einer brennbaren und nicht brennbaren Wand) mindestens 700 mm auf den Seiten mit Glasflächen und mindestens 362 mm auf den Seiten ohne Glasflächen beträgt. Diese Abstände müssen eingehalten werden, da Wärme zur Decke und zu den angrenzenden Wänden geleitet wird (siehe **Abb. 1 e und f**). Bei diesem Installationstyp können die Konvektionsöffnungen an Front und Seiten der Ummantelung ausgelassen werden, da sich an der Oberseite Konvektionsschlitze befinden.

Hinweis: Legen Sie keine Deckplatte auf die Oberseite des Kaminofens. Es muss ein Freiraum von mindestens 750 cm² an der Oberseite und mindestens 500 cm² an der Unterseite vorliegen.

Anforderungen an die Isolation

Bei der Installation des Einsatzes in einer vorhandenen Ummantelung mit brennbaren Wänden, die durch Isoliermaterial geschützt sind, können folgende Isolationstypen und -stärken verwendet werden:

- 50 mm Jøtul JGFW-5 feuerfeste Platte (spezifische Wärmeleitfähigkeit = λ -Wert = 0,06 W/mK)
- 50 mm Feuerschutzabdeckungen aus Steinwolle (λ -Wert = 0,046 W/mK)
- 150 mm Siporex (λ -Wert = 0,144 W/mK)

Andere Materialien können verwendet werden. Die Isoliereigenschaften müssen stets mindestens den Anforderungen an den Wärmewiderstand* (R) für 50 mm Jøtul JGFW-5 entsprechen.

- *Der Wärmewiderstand (R) gibt an, wie gut ein Material im Verhältnis zu seiner Stärke isoliert. Der Wärmewiderstand (R) errechnet sich aus der Materialstärke (d) geteilt durch die Wärmeleitfähigkeit des Materials. $R = d/\lambda$ -Wert.*

Der Wärmewiderstand (R) für Jøtul JGFW-5 beträgt 0,83 m²*K/W.

Anforderungen an die Kaminummantelung

Kaminummantelungen müssen aus nicht brennbarem Material bestehen.

Hinweis: Die gesamte Rückwand und alle Seitenwände im Ummantelungsbereich müssen mit einer Isolation bzw. Brandschutzwänden versehen sein.

Wenn der Aufsatz bis zur Decke reicht und diese aus brennbarem Material besteht, ist über der Heizkammer und den Abzügen im Aufsatz eine zusätzliche Verkleidung anzubringen, um eine Erhitzung der Decke auszuschließen. Mögliche Materialien: Steinwolle mit 100 mm Stärke auf einer Stahlplatte (mit mindestens 0,9 mm Stärke). Siehe **Abb. 1e und f**. Stellen Sie sicher, dass oben am Aufsatz eine ausreichende Ventilation vorliegt, z.B. ein Spalt unter der Decke.

Hinweis: Bedenken Sie, dass die Installation für Reinigungs- und Kontrollarbeiten zugänglich sein muss.

4.3 Luftzirkulation

Zwischen Einsatz und Mauerwerk muss ein Luftstrom möglich sein. Es ist unbedingt erforderlich, dass eine ungehinderte Luftzirkulation an den Lufteinlässen vorliegt.

Die im Text aufgeführten Einlassabmessungen stellen eine Mindestanforderung dar.

Erforderliche Größe der Luftzufuhr (für Luftzirkulation):

Unterteil: Freie Öffnung mit mindestens 500 cm².

Oberteil: Freie Öffnung mit mindestens 750 cm².

Siehe Abb. 1e und f.

3.4 Decke

Die Feuerstelle ist für eine Installation zugelassen, bei der die Oberkante der Heißluftöffnungen in der Ummantelung mindestens 400 mm von einer Decke aus brennbarem Material entfernt sind. Siehe **Abb. 1e und f**. Stellen Sie sicher, dass oben am Aufsatz eine ausreichende Ventilation vorliegt, z.B. ein Spalt unter der Decke.

4.5 Schornstein

Der Schornstein ist der Motor, der den Kamin antreibt. Nur mit einem guten Schornstein kann der Kamin einwandfrei funktionieren.

Der Schornsteinzug erzeugt ein Vakuum im Kaminofen. Dieses Vakuum saugt den Rauch aus dem Kaminofen und führt Luft durch das Verbrennungsluftleitblech zu, um die Verbrennung zu unterstützen.

Die Verbrennungsluft wird ebenfalls für die Luftspülung genutzt, die für rußfreie Glasflächen sorgt.

Der Schornsteinzug entsteht durch die Differenz der Temperaturen im Schornstein und außerhalb des Schornsteins. Je höher die Temperaturdifferenz, desto besser der Schornsteinzug. Daher ist es wichtig, dass der Kamin seine Betriebstemperatur erreicht, bevor per Luftzufuhrregelung die Verbrennung im Kaminofen gedrosselt wird. (Bei einem gemauerten Kamin dauert es länger als in einem Stahlkamin, bevor die Betriebstemperatur erreicht wird.)

Es ist besonders wichtig, dass die Betriebstemperatur an den Tagen möglichst schnell erreicht wird, an denen der Schornsteinzug aufgrund ungünstiger Windverhältnisse und Witterungsbedingungen eher schwach ist. Stellen Sie sicher, dass der Brennstoff so schnell wie möglich entzündet wird. Tipp: Hacken Sie das Brennholz in besonders kleine Stücke und verwenden Sie zusätzlich Feueranzünder.

Hinweis: Wenn der Kaminofen über einen längeren Zeitraum nicht genutzt wurde, muss das Schornsteinrohr auf Blockierungen geprüft werden.

4.6 Schornstein und Rauchgasrohr

- Der Kamin muss mit einem Schornstein und einem Rauchgasrohr verbunden werden, die für Festbrennstoffkamine mit Rauchgastemperaturen gemäß Abschnitt 2.0 Technische Daten zugelassen sind.
- Der Querschnitt des Schornsteins muss mindestens dem des Rauchgasrohrs entsprechen. Mithilfe des Abschnitts 2.0 Technische Daten berechnen Sie den korrekten Schornsteinquerschnitt.
- Es können mehrere Festbrennstofföfen an dasselbe Schornsteinsystem angeschlossen werden, wenn ein entsprechender Querschnitt vorliegt.
- Bevor ein Loch im Schornstein angebracht wird, sollte der Kamin testweise montiert werden, damit eine korrekte Kennzeichnung des Kamins und des Schornsteinlochs erfolgen kann. Die minimalen Abstände gehen aus Abb. 1 hervor. **Hinweis: Dies gilt nicht, wenn der Kaminofen in einem offenen Kamin installiert ist.**

Hinweis: Es ist überaus wichtig, dass die Anschlüsse eine gewisse Flexibilität aufweisen. Dadurch werden Bewegungen in der Installation ausgeglichen, die ansonsten zu Rissbildungen führen.

Hinweis: Ein korrekter und luftdichter Anschluss ist entscheidend für die Funktionsweise des Produkts.

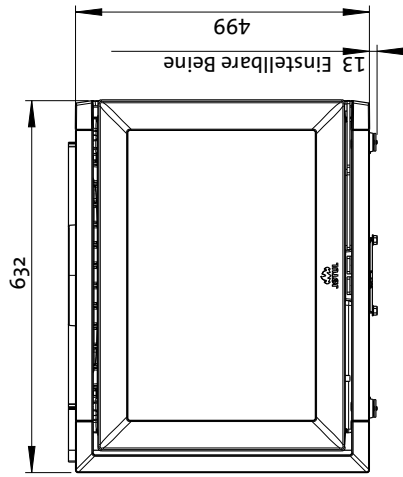
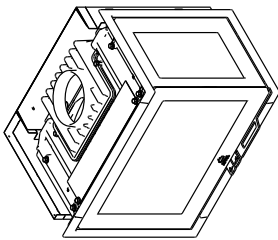
Das Gewicht darf nicht von der Kaminstruktur zum Schornstein übertragen werden. Die Kaminstruktur darf den Schornstein nicht in seiner Bewegungsfreiheit einengen und nicht am Schornstein verankert sein.

Der empfohlene Schornsteinzug geht aus dem Abschnitt 2.0 Technische Daten hervor. Bei einem zu starken Zug kann ein Dämpfer für das Rauchgasrohr installiert und zur Zugminderung eingesetzt werden.

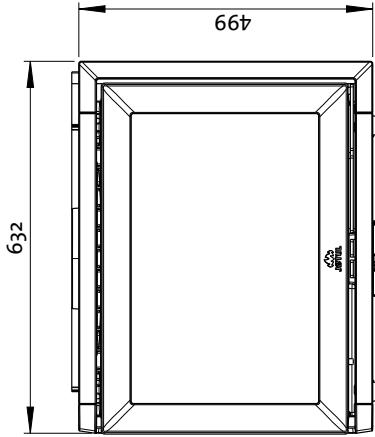
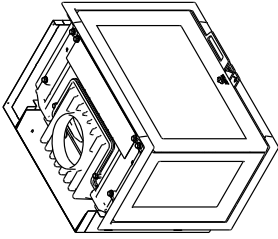
Abb. 1 b

Produkt:

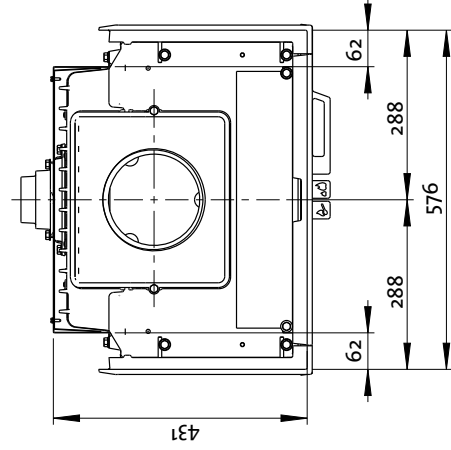
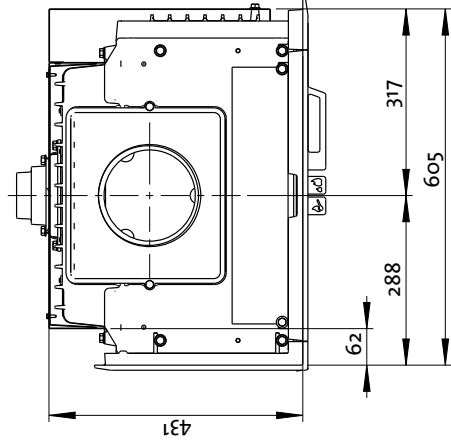
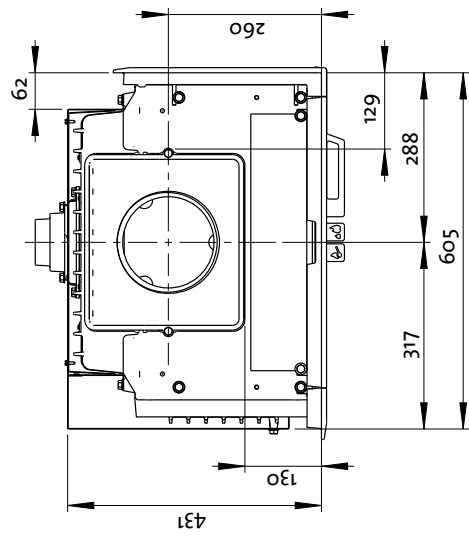
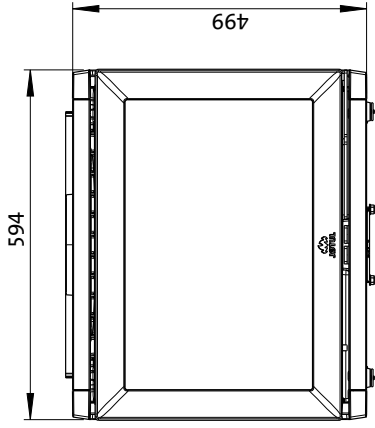
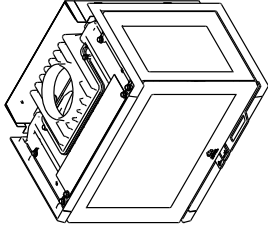
Jøtul I 520 FR

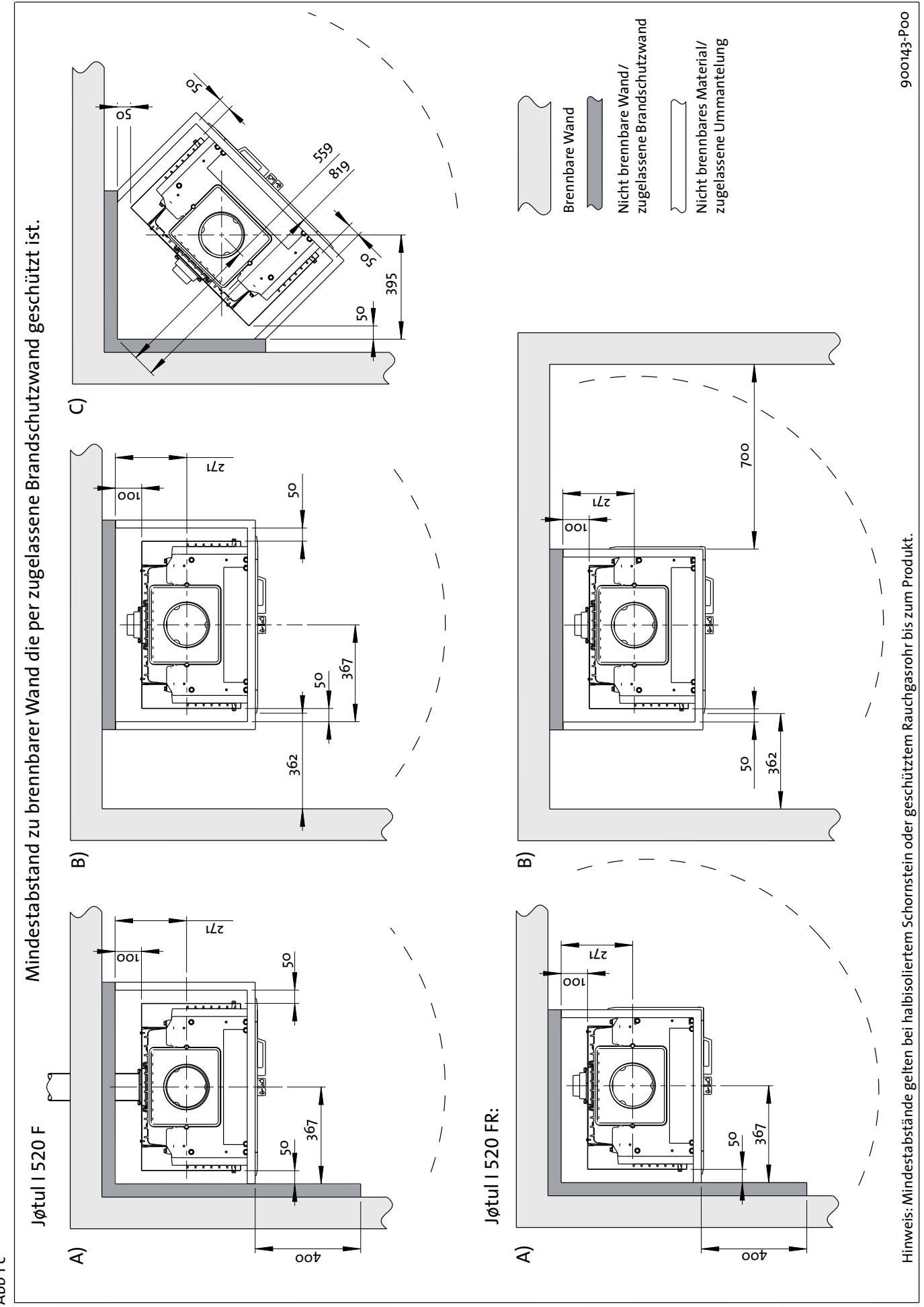


Jøtul I 520 FL



Jøtul I 520 FRL



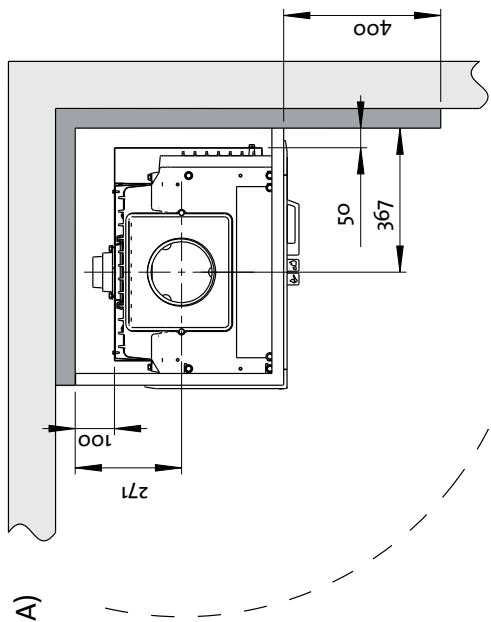


Hinweis: Mindestabstände gelten bei halbisoliertem Schornstein oder geschütztem Rauchgasrohr bis zum Produkt.

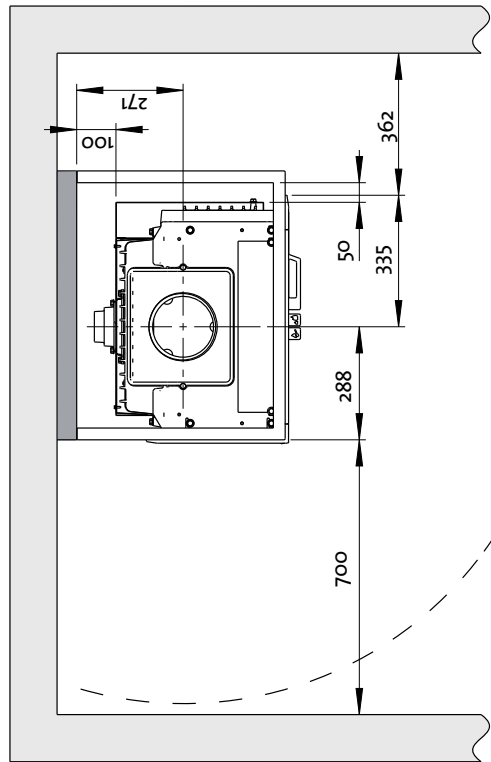
Abb. 1 d

Mindestabstand zu brennbarer Wand die per zugelassene Brandschutzwand geschützt ist.

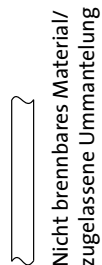
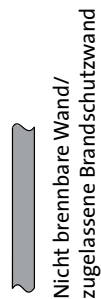
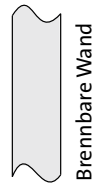
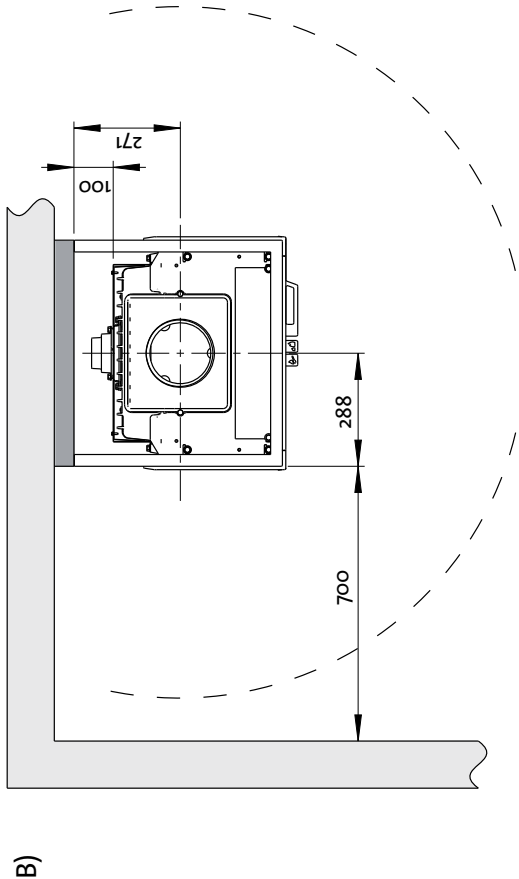
Jøtul I 520 FL



B)



Jøtul I 520 FRL



Hinweis: Mindestabstände gelten bei halbisoliertem Schornstein oder geschütztem Rauchgasrohr bis zum Produkt.

Abb 1 f

Mindestabstand zu brennbarer Decke/brennbarem Boden

Jøtul I 520 F / I 520 FR / I 520 FL / I 520 FRL - alt. B)

Installation an gerader Wand – Hinweis: Nicht für eine Eckinstallation.

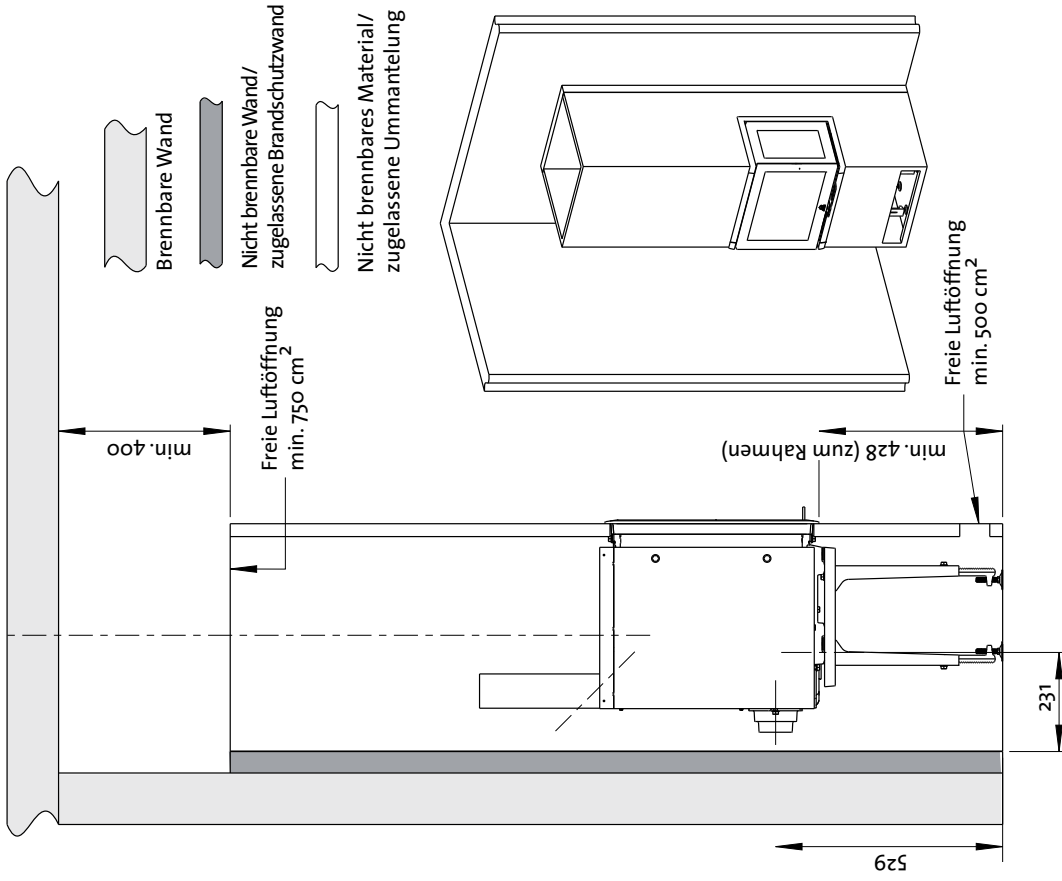
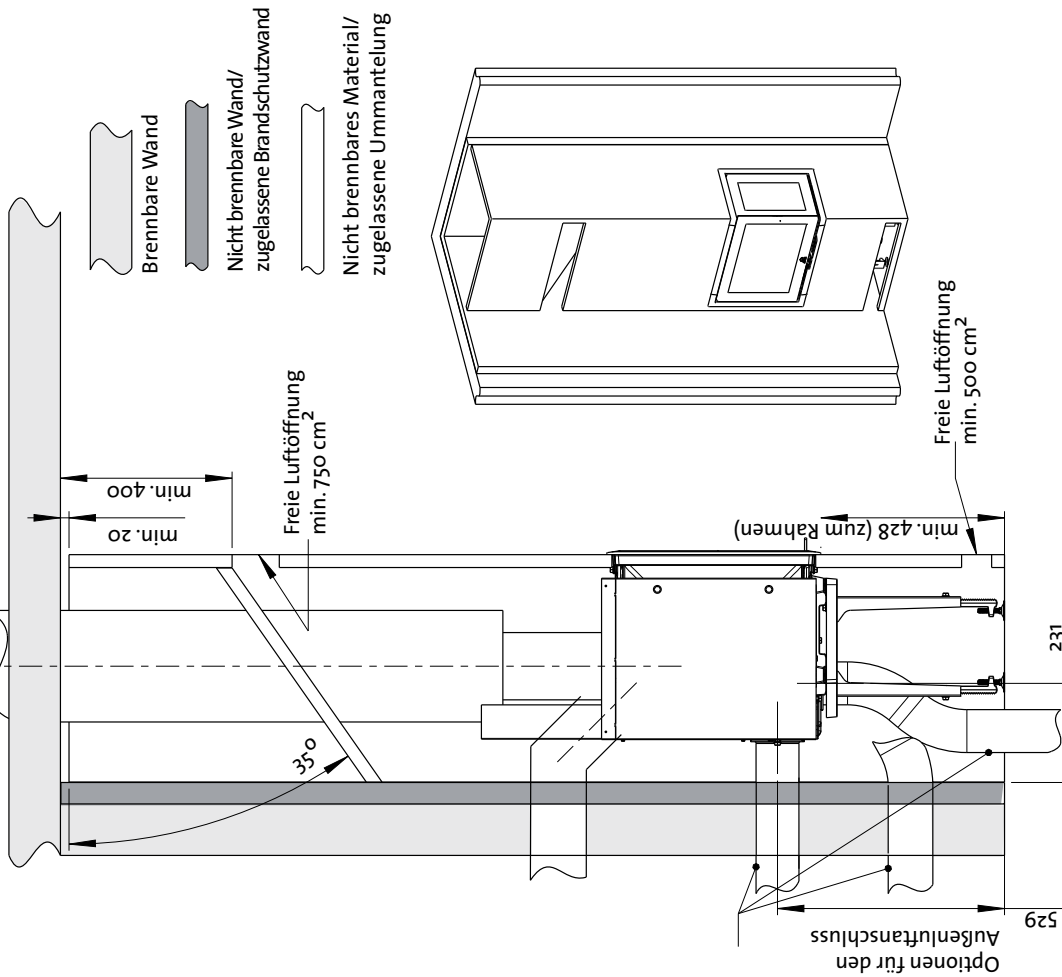


Abb. 1 e

Mindestabstand zu brennbarer Decke/brennbarem Boden

Jøtul I 520 F / I 520 FR / I 520 FL - alt. A), C)

Eckinstallation

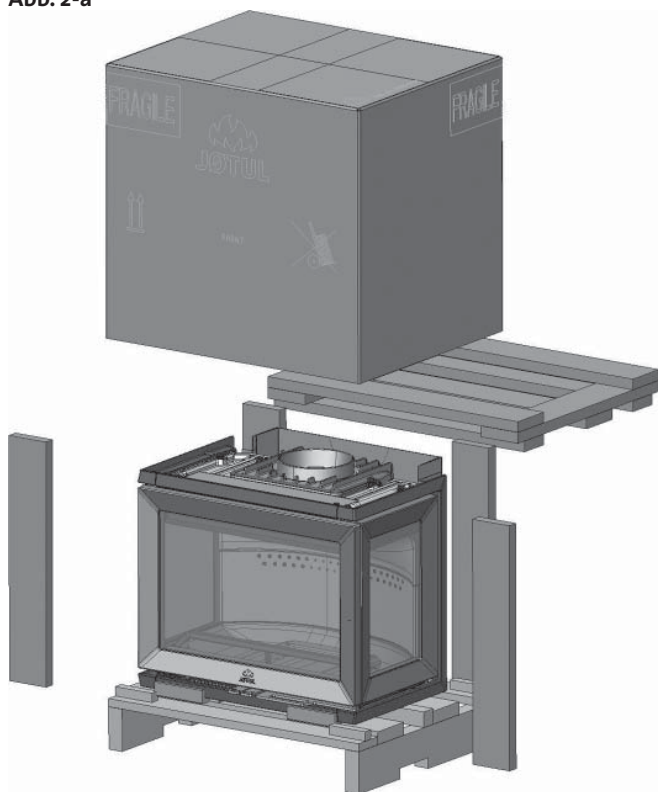


Hinweis: Mindestabstände gelten bei halbisoliertem Schornstein oder geschütztem Rauchgasrohr bis zum Produkt

4.6 Vorbereitung/Installation

Das Produkt wird als ein Paket geliefert.

Abb. 2-a



Die gesamte Verpackung kann recycelt werden.

Abb. 2 b



Das Produkt ist schwer! Bei Positionierung und Installation benötigen Sie Hilfe.

Hinweis: Vor der Installation des Kamins ist dieser sorgfältig auf Beschädigungen zu prüfen.

Außenluftanschluss

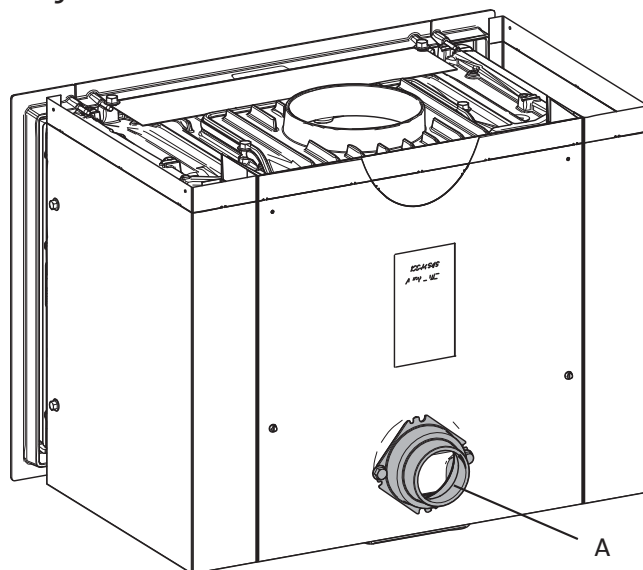
Es kann ein optionaler Außenluftanschlusssatz bestellt werden. **(Dieser wird mit einem eigenen Handbuch ausgeliefert – Außenluftanschluss Ø 100, Art.nr. 10026187).** Der Kanalanschluss ist passend für Frischlufteinlassrohre mit Ø 100 und 80.

Dieser Vorgang wird ausgeführt, bevor die Ummantelung gemauert oder errichtet wird.

Bei der Installation in einem vorhandenen Ofen (offener Kamin) ist eine vollständige Übereinstimmung mit den Brandschutzbestimmungen unbedingt erforderlich.

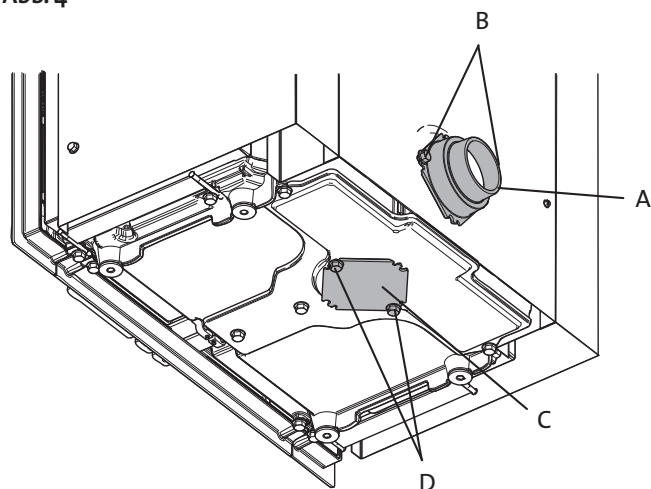
Außenluftzufuhr

Abb. 3



1. Das Produkt besitzt einen Lufteinlass (A) an der Rückseite. Bei Bedarf kann der Lufteinlass an die Produktunterseite umgesetzt werden. Siehe **Abb. 4**.

Abb. 4



2. Lösen Sie die beiden Schrauben (B) und entfernen Sie den Lufteinlassanschluss (A).
3. Lösen Sie danach die beiden Schrauben (D) unter der Brennkammer und entfernen Sie die Abdeckung (C).
4. Bringen Sie den Anschluss (A) unter der Abdeckungsposition

DEUTSCH

- an und sichern Sie den Anschluss mit Schrauben (B).
5. Befestigen Sie danach die abgenommene Abdeckung über der Lufteinlassöffnung an der Rückseite. Verwenden Sie beim Anbringen dieselben Schrauben.

Installation des Beingestells (optional)

Beim Herstellen einer Ummantelung aus Ziegeln muss das Beingestell (optional, Art.nr. 51044759) verwendet werden. Siehe Abb. 1 e und f.



Türscharniere

Der Türanschlag befindet sich links. Bei Bedarf kann ein Wechsel zu einem Rechtsanschlag vorgenommen werden. Ein eventueller Wechsel sollte erfolgen, bevor der Kaminofen in den Ofen oder in die Ummantelung eingesetzt wird.

Für den Wechsel des Türanschlags wird ein optionaler Satz benötigt.

Art.nr. 50045754. (Siehe Handbuch, Art.nr. 10045851, im Lieferumfang des Montagesatzes.)

4.7 Schornsteinanschluss

Vor der Installation des Produkts müssen Sie festlegen, wie der Schornsteinanschluss erfolgen soll.

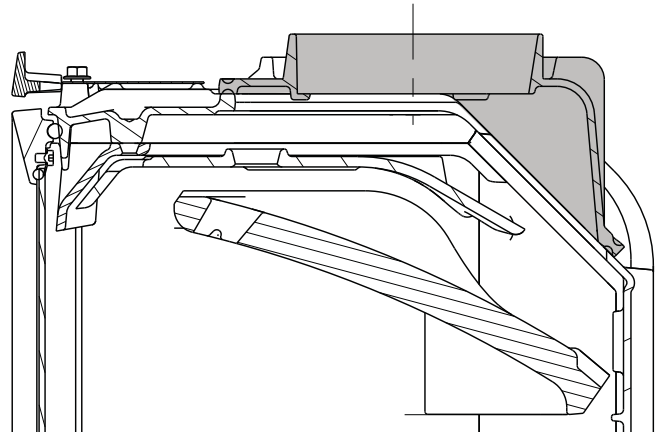
Installation der Rauchglocke

Die Rauchglocke kann von außen und innen installiert werden. Sie ist bei einem Abzug an der Oberseite werkseitig außen angebracht, kann jedoch bei einem Abzug an der Oberseite von innen befestigt werden. Eine Drehung um 45° (Abzug an der Rückseite) ist ebenfalls möglich, um eine Installation von außen und innen zu ermöglichen.

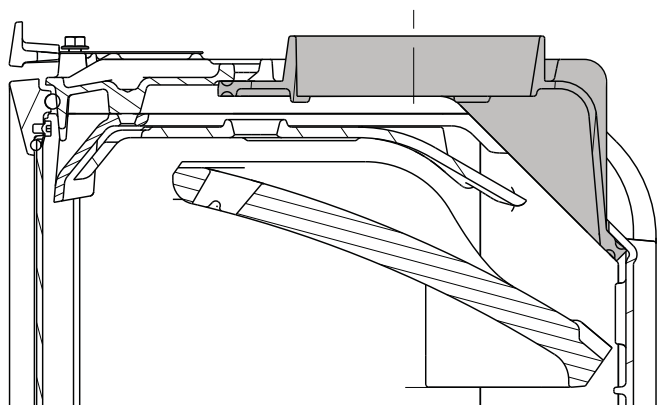
Bei einer Installation von innen müssen Brennerplatten, Leitblech und Auslassleitblech entfernt werden.

Abb. 5

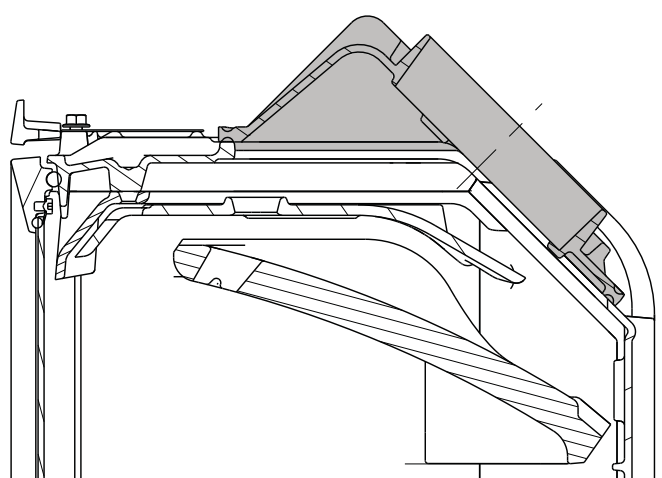
Abzug an der Oberseite von außen installiert (werkseitig angebracht)



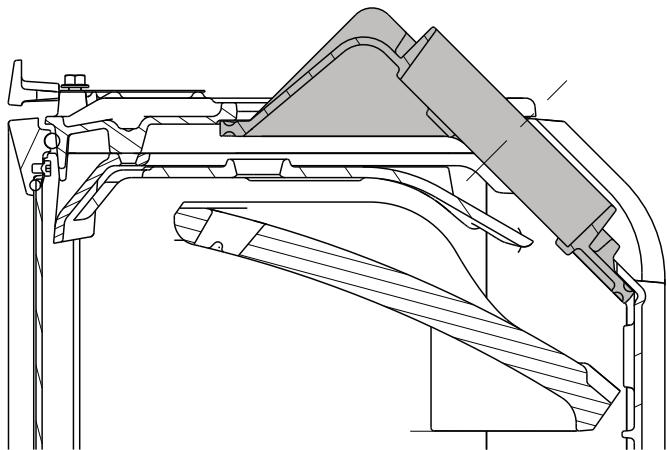
Abzug an der Oberseite von innen installiert



Abzug an der Rückseite (um 45° gedreht) von außen installiert



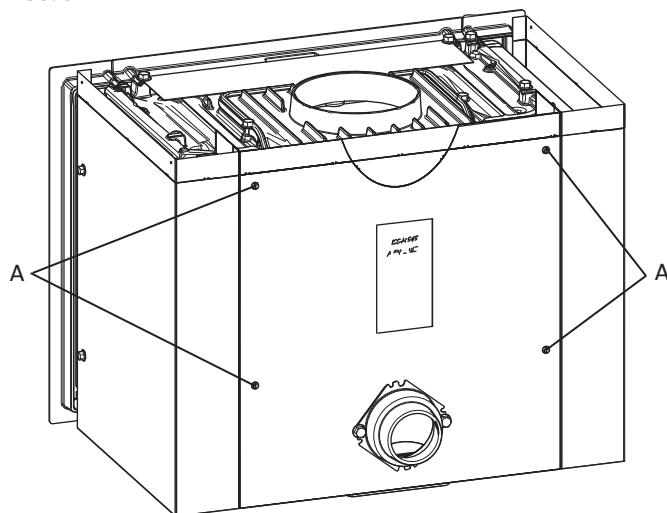
Abzug an der Rückseite (um 45° gedreht) von innen installiert.



Abzug an der Oberseite

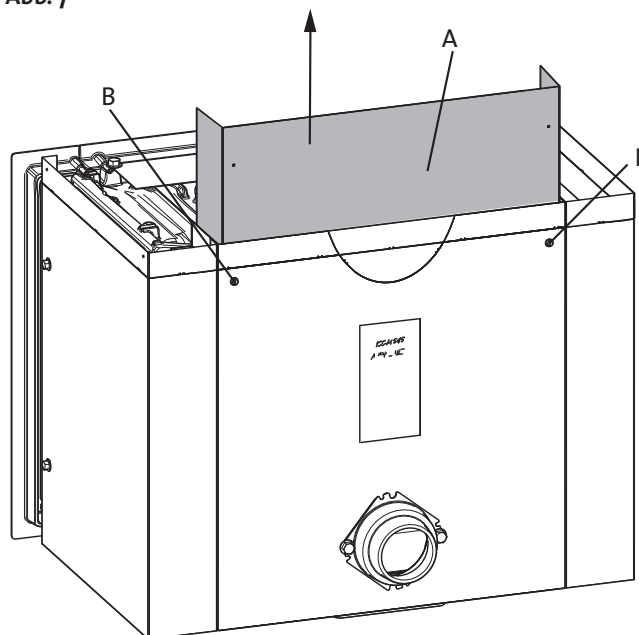
Das Produkt ist werkseitig für einen Abzug an der Oberseite vorbereitet. Die innere hintere Hitzeschutzplatte sollte angehoben werden, um die Rückwand gegen eine Hitzeentwicklung vom Rauchgasrohr zu schützen.

Abb. 6



1. Lösen Sie die vier Schrauben (A).

Abb. 7



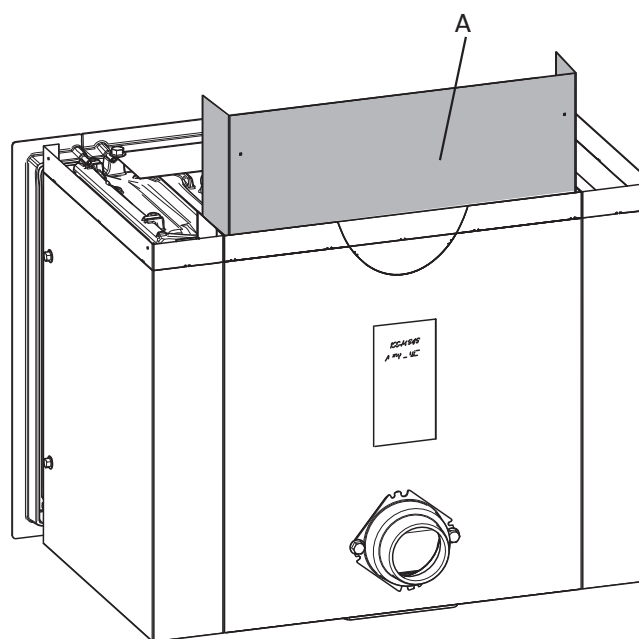
2. Ziehen Sie die innere Hitzeschutzplatte (A) nach oben.
3. Arretieren Sie sie mithilfe der beiden oberen Schrauben (B).

Umbau zu einem Abzug an der Rückseite

Der Rauchabzug kann bei Bedarf zu einem Abzug an der Rückseite umgebaut werden. Die Rauchglocke kann ebenfalls von innen installiert werden, wenn der Installationsbereich für die Brennkammer räumlich begrenzt ist.

Entfernen Sie die vier Schrauben, die auf Abb. 6 dargestellt werden.

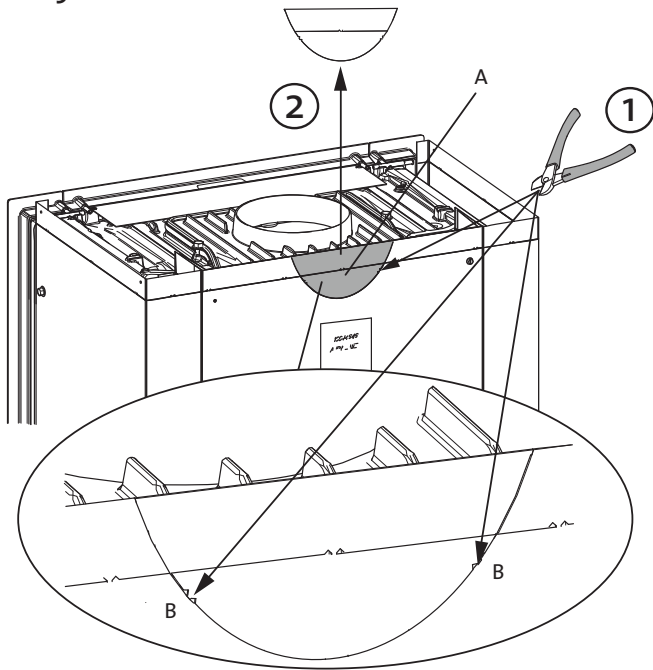
Abb. 8



1. Entfernen Sie die innere Hitzeschutzplatte (A).

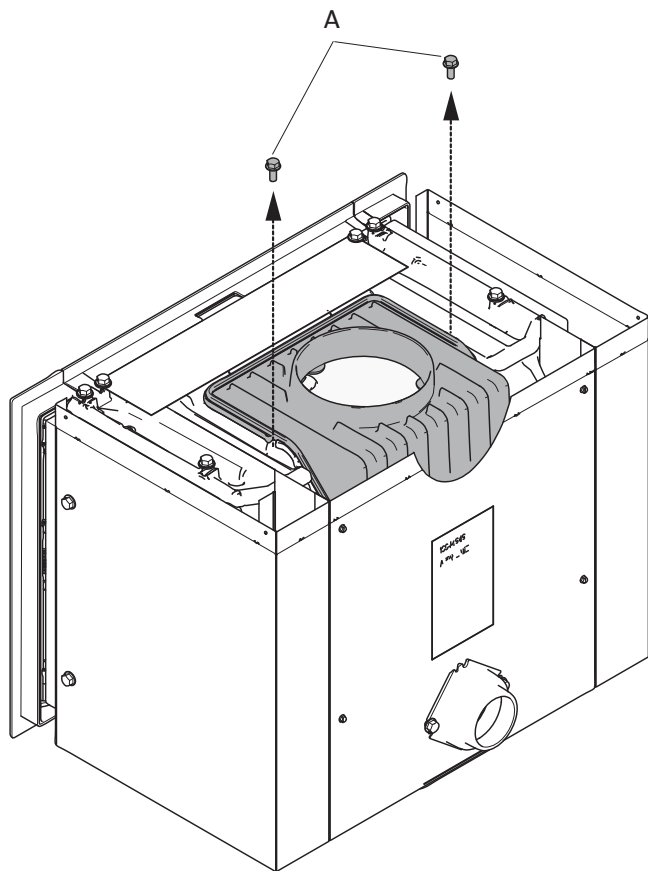
DEUTSCH

Abb. 9



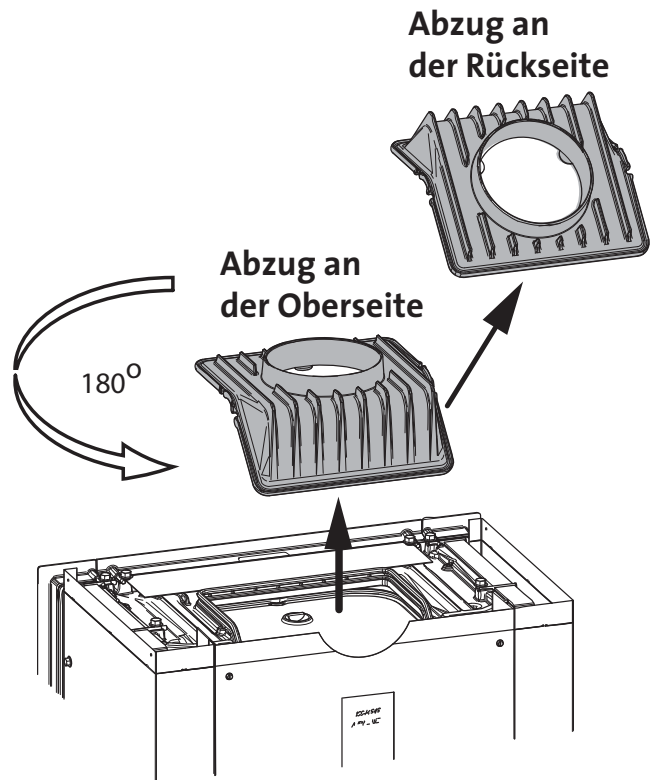
2. Wenn ein Abzug an der Rückseite vorhanden ist, muss der gebogene Bereich (A) zuerst entfernt werden. Schneiden Sie entlang den Ausschnittsöffnungen (B). Trennen Sie danach den Ausschnittsbereich ab.

Abb. 10



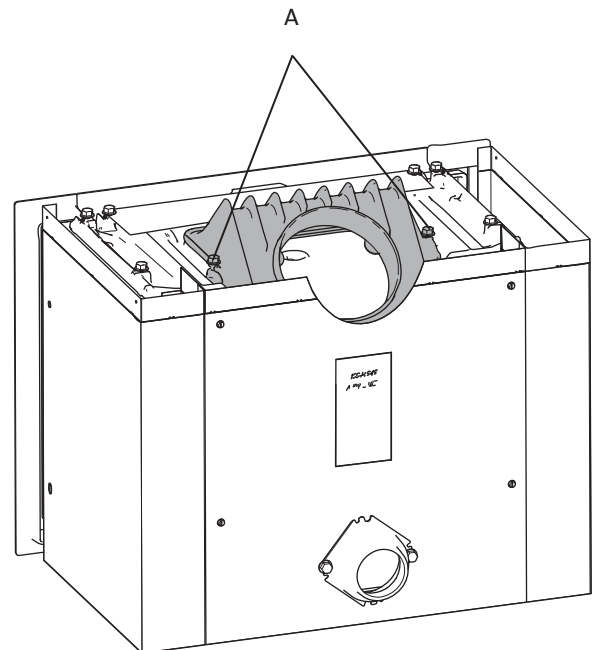
3. Entfernen Sie die beiden Schrauben (A), mit denen die Rauchglocke an der Brennkammer befestigt wird.

Abb. 11



4. Heben Sie die Rauchglocke an und drehen Sie sie um 180°.

Abb. 12



5. Schrauben Sie die Rauchglocke erneut auf die Brennkammer. Verwenden Sie dazu dieselben beiden Schrauben (A).

4.8 Installation

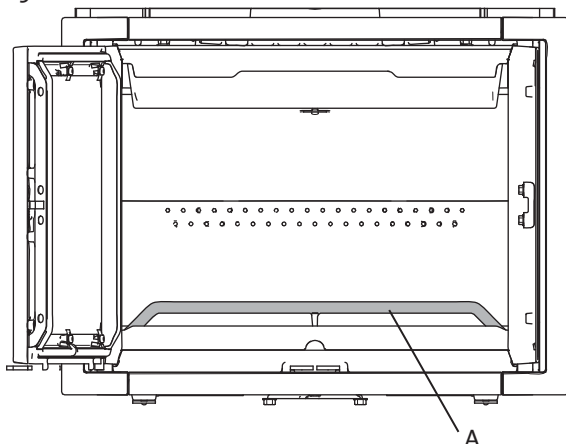
Installation der inneren Rauchglocke

Das Produkt ist in vier Modellvarianten erhältlich. Der Installationsvorgang richtet sich nach dem anzubringenden Modell:

Richten Sie sich bei den nachstehenden drei Modellen nach den **Abbildungen 13-20**.

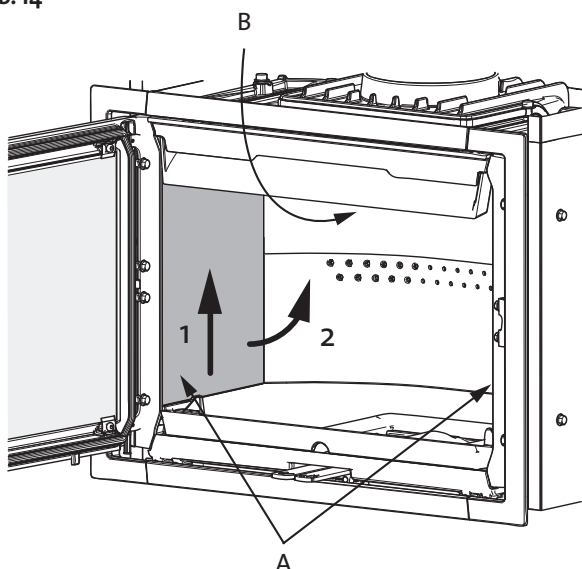
- Für Jøtul I 520 F (Glas an der Front), Jøtul I 520 FL (Glas an der Front und auf der linken Seite) und Jøtul I 520 FR (Glas an der Front und auf der rechten Seite).
- Für Jøtul I 520 FRL (Glas an der Front und auf beiden Seiten) richten Sie sich nach den **Abbildungen 14-20**.

Abb. 13



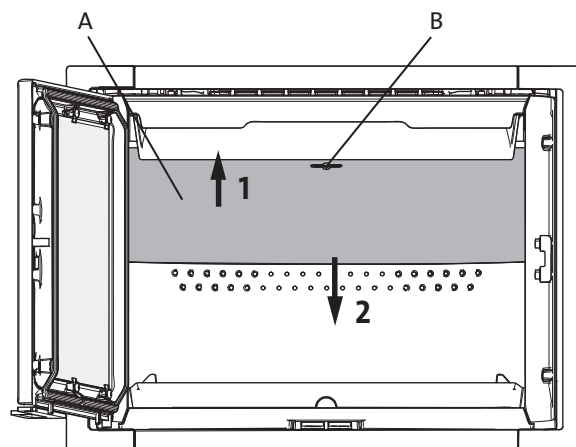
1. Öffnen Sie die Tür und entfernen Sie den Scheithalter (A).

Abb. 14



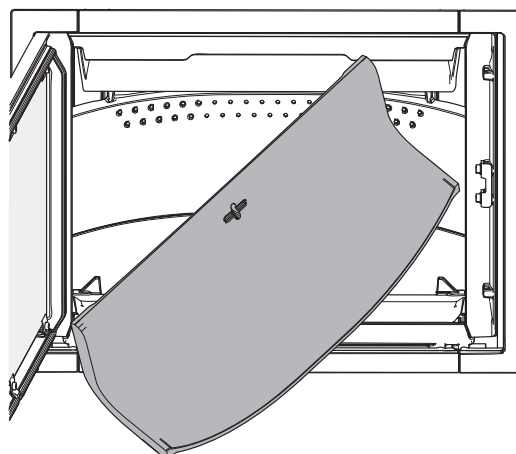
2. Demontieren Sie die seitliche Brennerplatte (A), indem Sie sie leicht anheben, während Sie das Leitblech (B) oben halten. Ziehen Sie die seitliche Brennerplatte an der Unterseite und danach vollständig heraus. Entfernen Sie danach die andere seitliche Brennerplatte auf dieselbe Weise.

Abb. 15



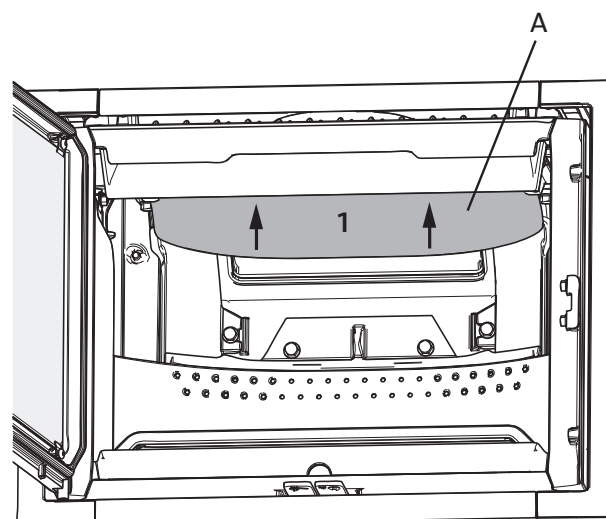
3. Heben Sie zunächst das Leitblech (A) an. Drehen Sie den Schlüssel (B) um 90° und ziehen Sie ihn ab. Ziehen Sie die Hinterkante des Leitblechs nach unten.

Abb. 16



4. Drehen Sie eine Ecke zu sich und ziehen Sie sie seitlich heraus.

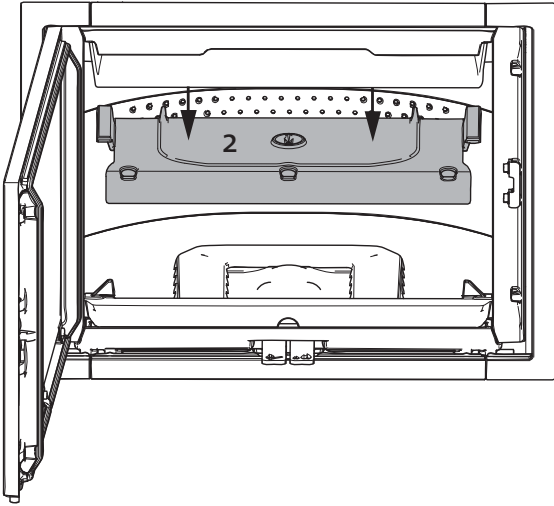
Abb. 17



5. Entfernen Sie danach das Auslassleitblech (A), indem Sie es zunächst leicht anheben. Drücken Sie anschließend das Auslassleitblech nach hinten.

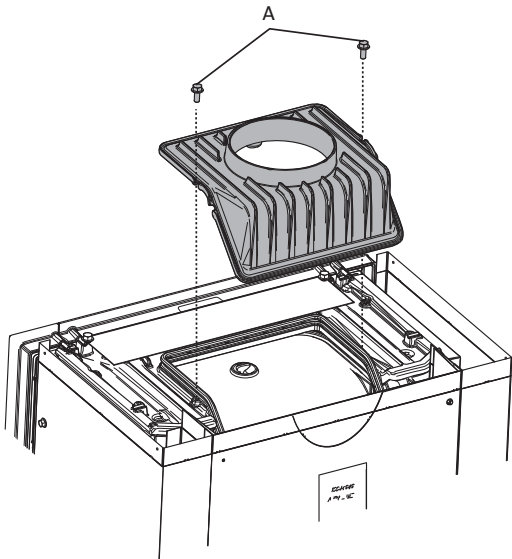
DEUTSCH

Abb. 18



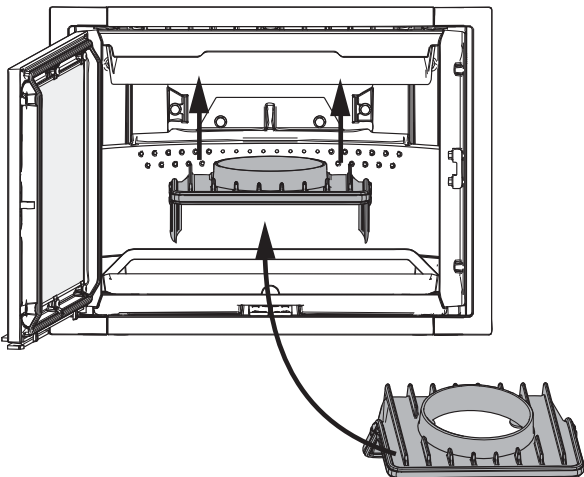
6. Senken Sie das Auslassleitblech ab und heben Sie es heraus.

Abb. 19



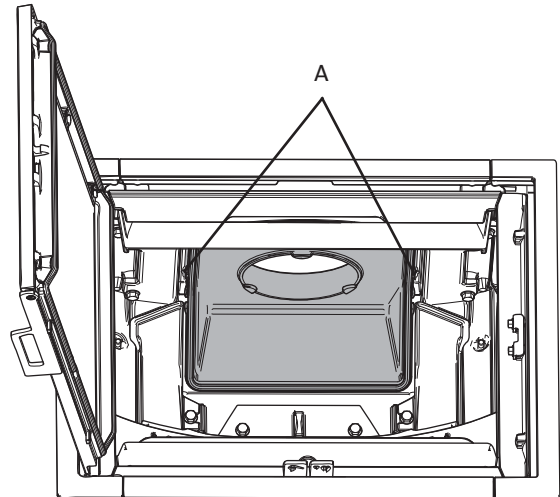
7. Entfernen Sie die beiden Schrauben (A) auf jeder Seite der Rauchglocke und heben Sie diese ab.

Abb. 20



8. Sichern Sie die Rauchglocke von innen.

Abb. 21

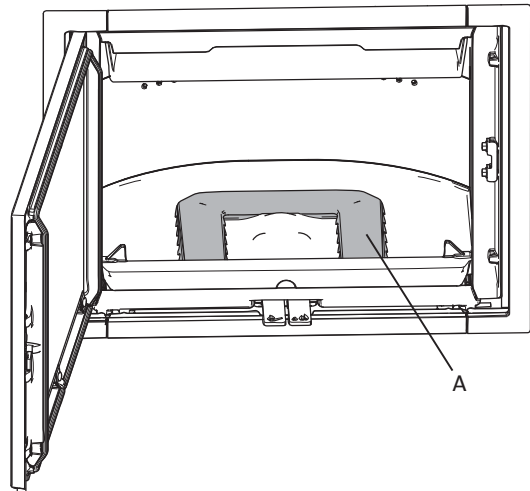


9. Bringen Sie dieselben Schrauben (A) von innen an.

Ausrichten des Einsatzes

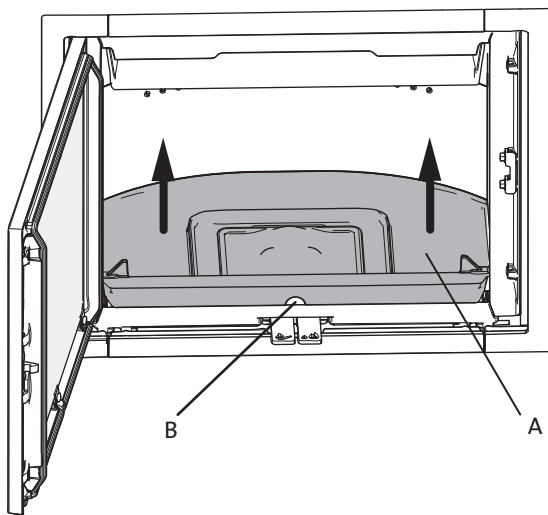
Bei der Installation in einer Ummantelung aus Ziegeln oder einer vorgefertigten Ummantelung und in einem Ofen bzw. offenen Kamin muss der Einsatz eben ausgerichtet sein.

Abb. 22



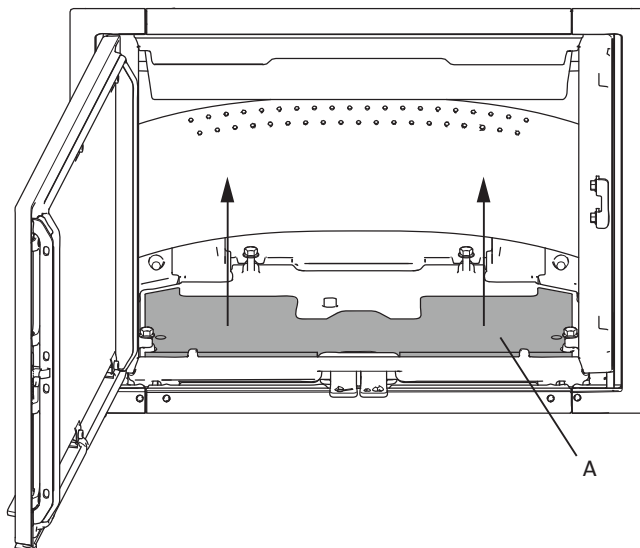
1. Heben Sie den Luftkanal (A) an und entfernen Sie ihn.

Abb. 23



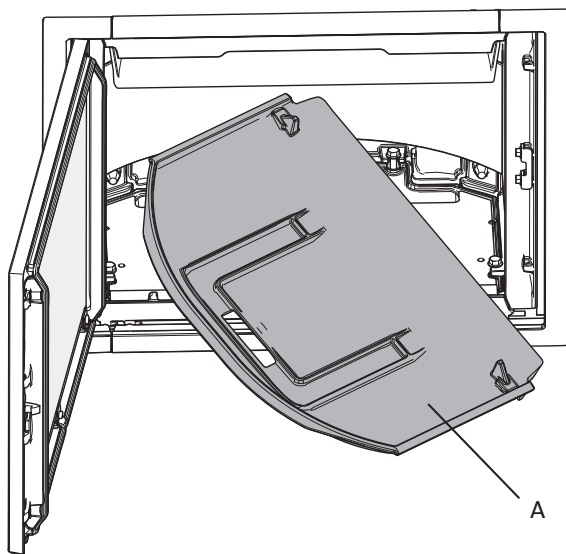
2. Ergreifen Sie die Öffnung **(B)** an der Frontseite des inneren Bodens **(A)** und heben Sie ihn an.

Abb. 25



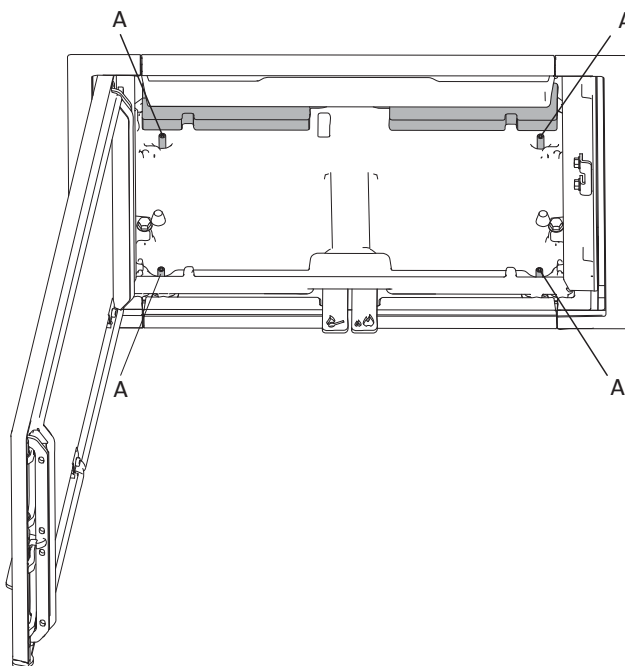
4. Heben Sie das Isolierblech **(A)** an.

Abb. 24



3. Drehen Sie eine Ecke zu sich und ziehen Sie den inneren Boden heraus.

Abb. 26



5. Justieren Sie mit dem beiliegenden Inbusschlüssel die Nivellierschrauben **(A)**, bis die Brennkammer eben ausgerichtet ist und sich auf der korrekten Höhe befindet.
6. Bringen Sie Auslassleitblech, Leitblech und Seitenverkleidungen wieder an.

DEUTSCH

4.9 Installation in einem offenen Kamin

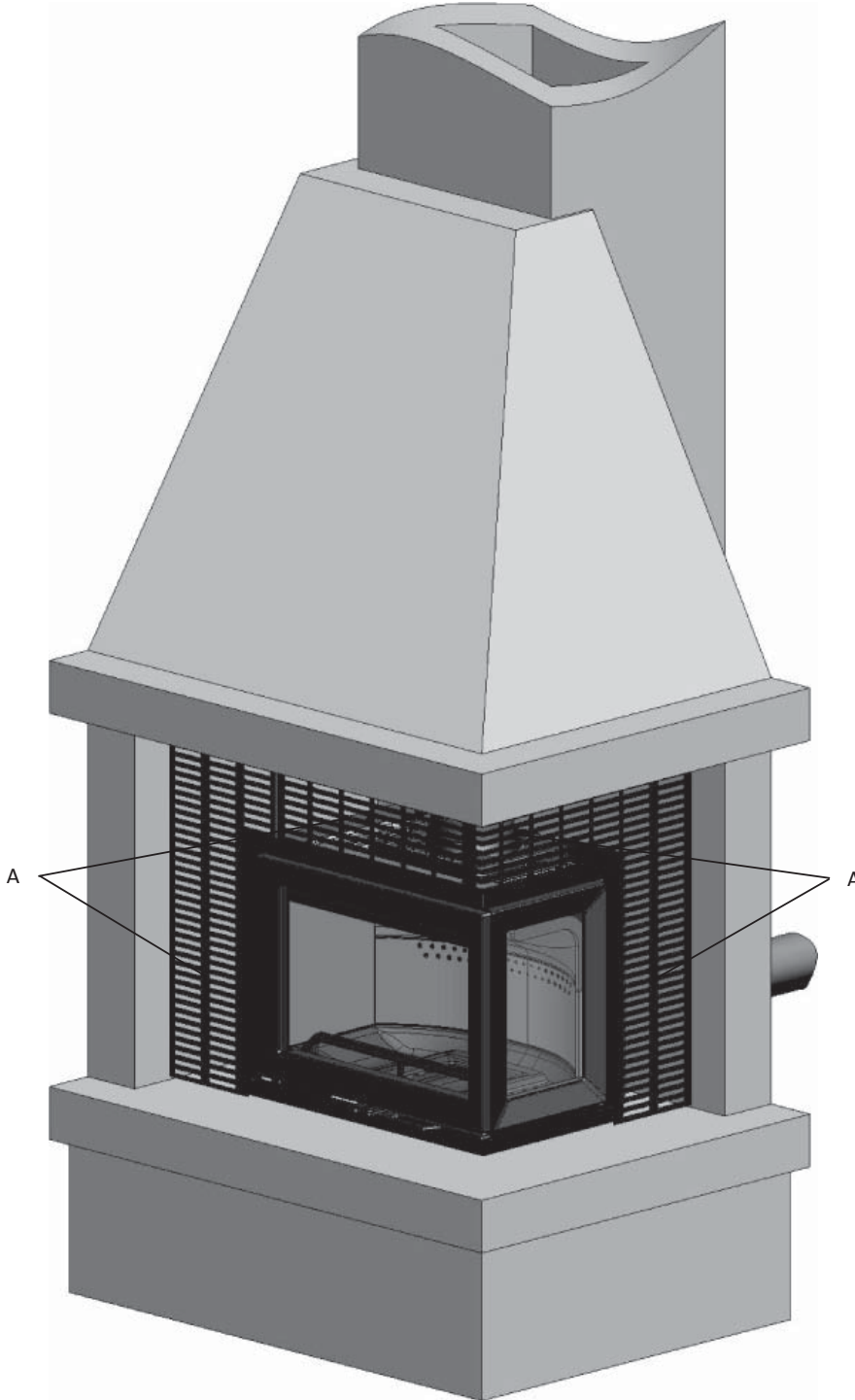
Jøtul I 520 ist für die Verwendung in einem vorhandenen gemauerten Kamin vorgesehen, der den geltenden Bestimmungen entspricht. Der Kamin muss ebenfalls die Anforderungen an brennbaren Materialien erfüllen. Die Luftöffnungen für die Konvektionsluft müssen so groß wie möglich sein ($500 / 750 \text{ cm}^2$) um die Wärme auf bestmögliche Weise auszunützen.

Für die Installation in Öfen/offenen Kaminen sind mehrere Optionen verfügbar. Hier werden drei Optionen aufgeführt:

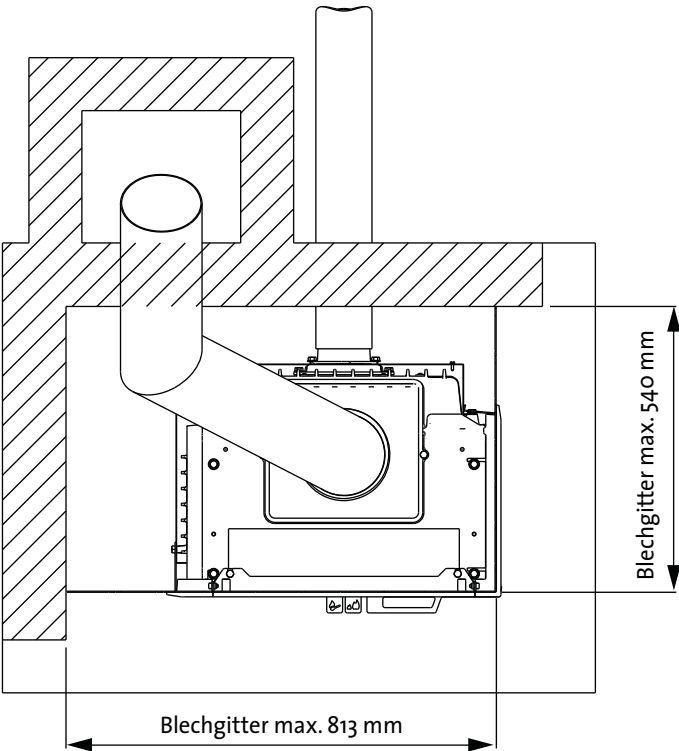
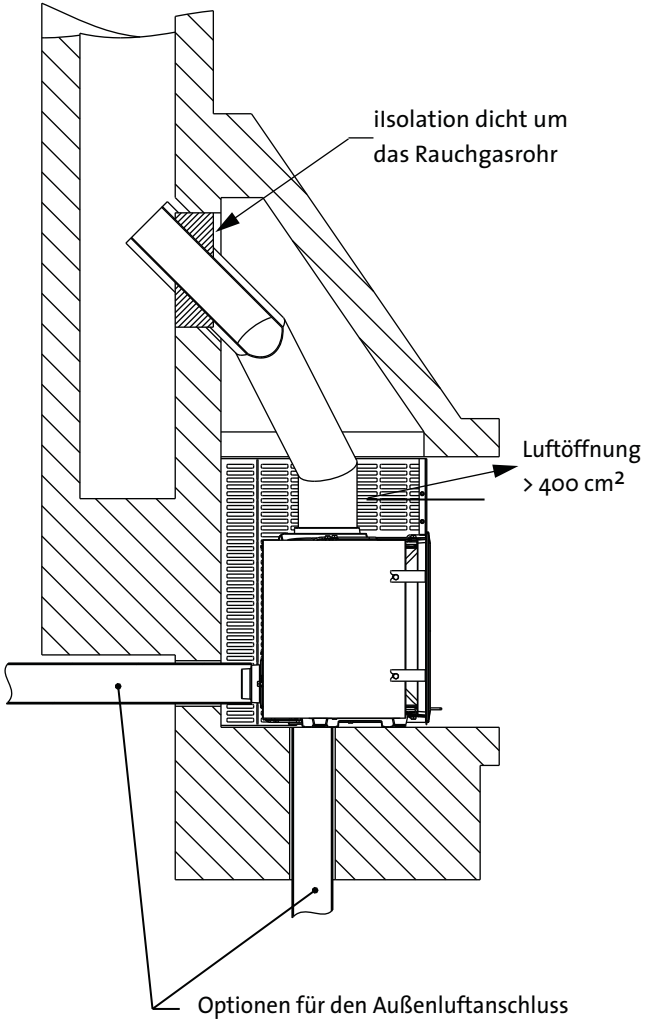
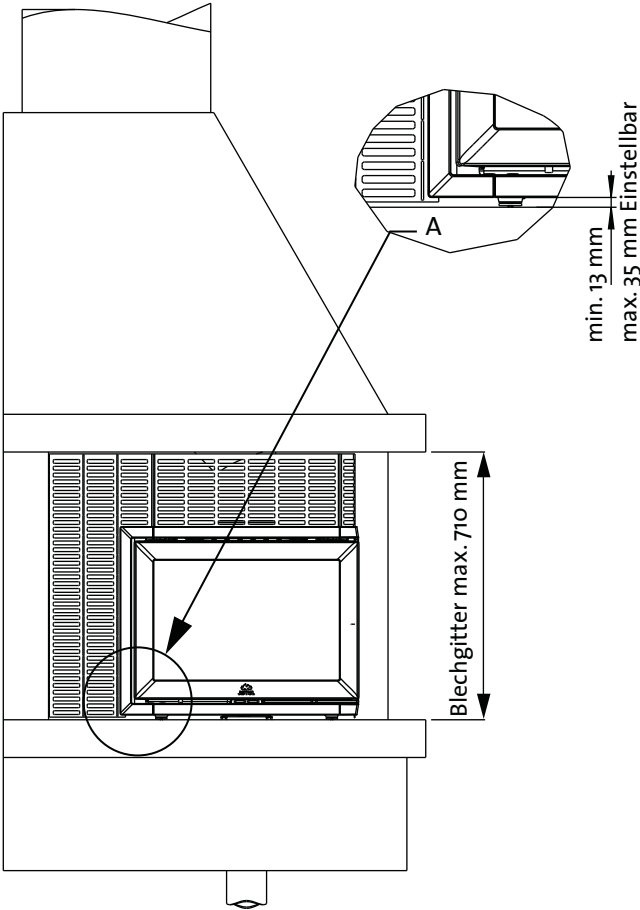
1) Installation in einer Ecke mit viel Platz

Die Abbildung zeigt Jøtul I 520 FR (Glas in der Tür und auf der rechten Seite). In diesem Beispiel kommt ein Blechgitter zum Einsatz (optional – Art.nr. 50045748), um den Spalt zwischen Einsatz und Kamin auszufüllen.

Abb. 27



Das Blechgitter (A) muss passend für den Kamin zugeschnitten werden. Siehe separates Handbuch für Hinweise zum Einsetzen von Blechgittern.

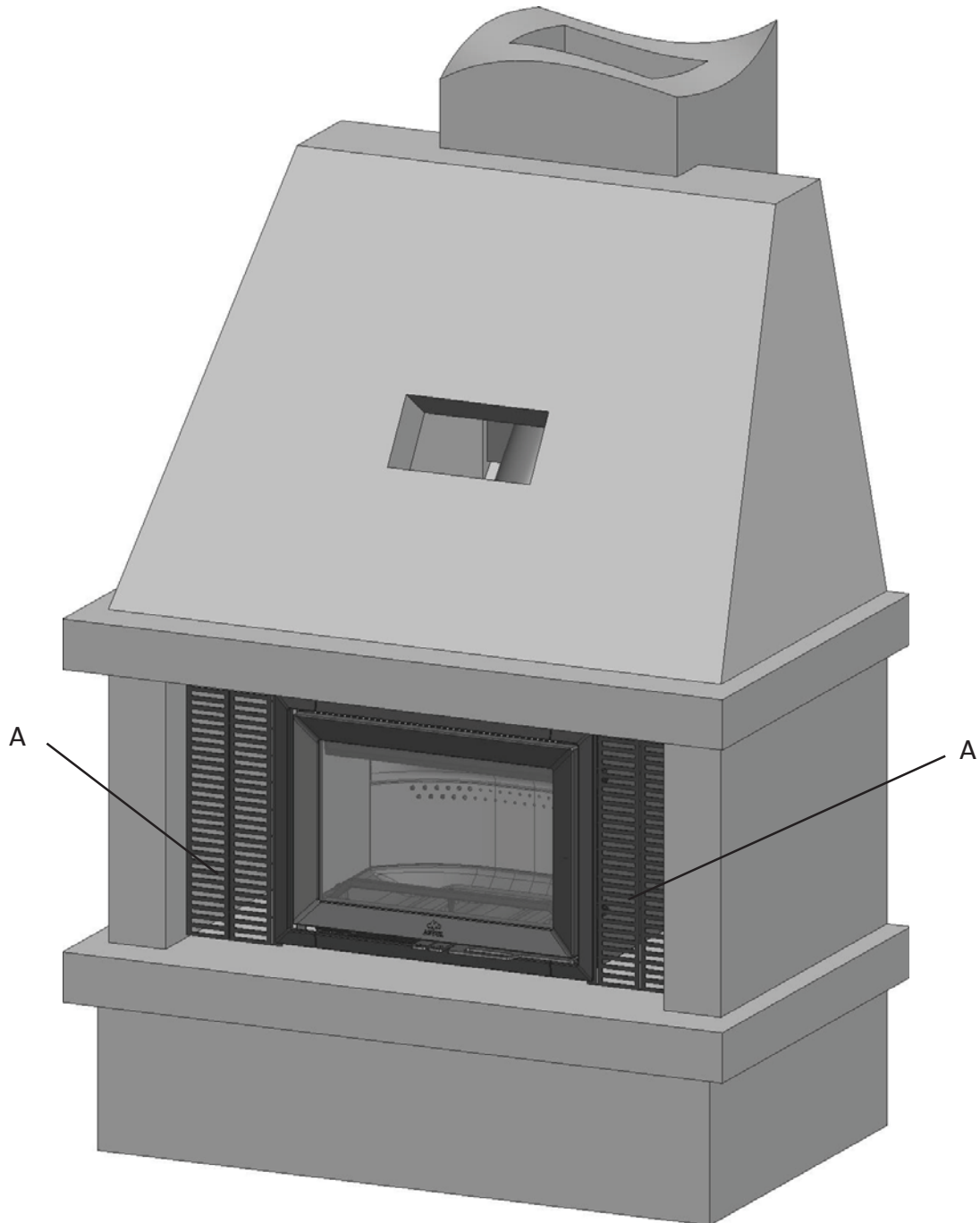


DEUTSCH

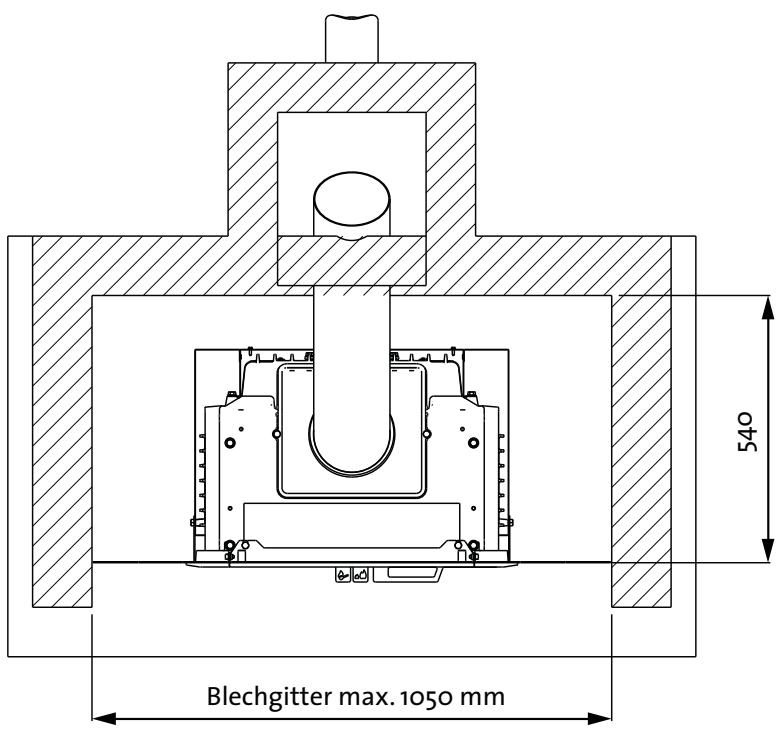
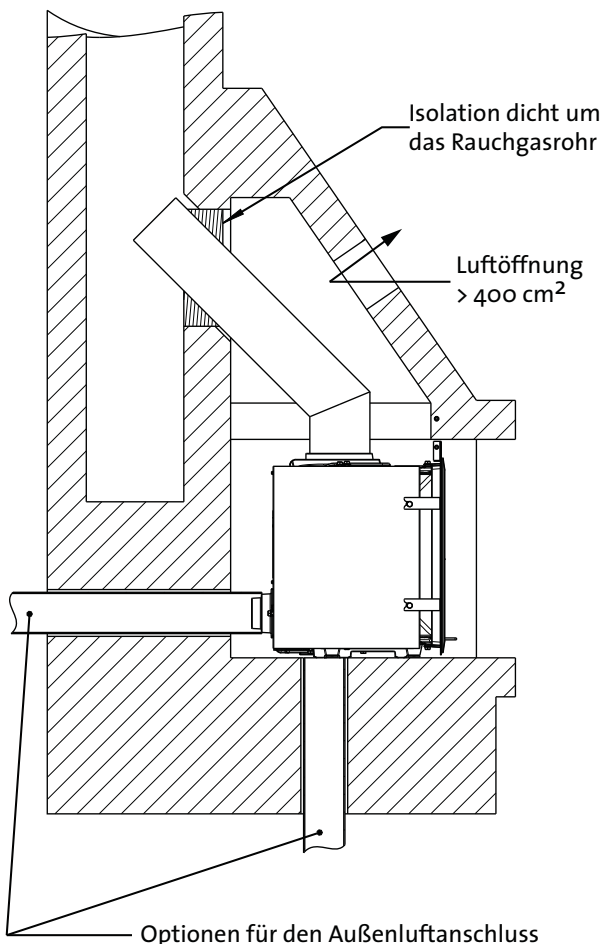
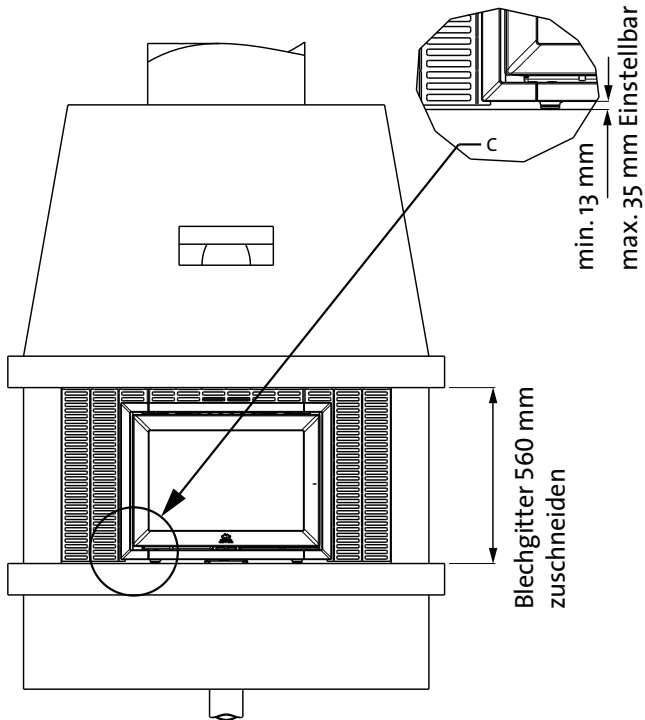
2) Installation in offenem Kamin

Installation an gerader Wand mit viel Platz zu den Seiten, niedrige Höhe. Die Abbildung zeigt Jøtul I 520 F. In diesem Beispiel kommt ein Blechgitter zum Einsatz (optional – Art.nr. 50045747), um den Spalt zwischen Einsatz und Kamin auszufüllen.

Abb. 28



Das Blechgitter (A) muss passend für den Kamin zugeschnitten werden. Siehe separates Handbuch für Hinweise zum Einsetzen von Blechgittern.

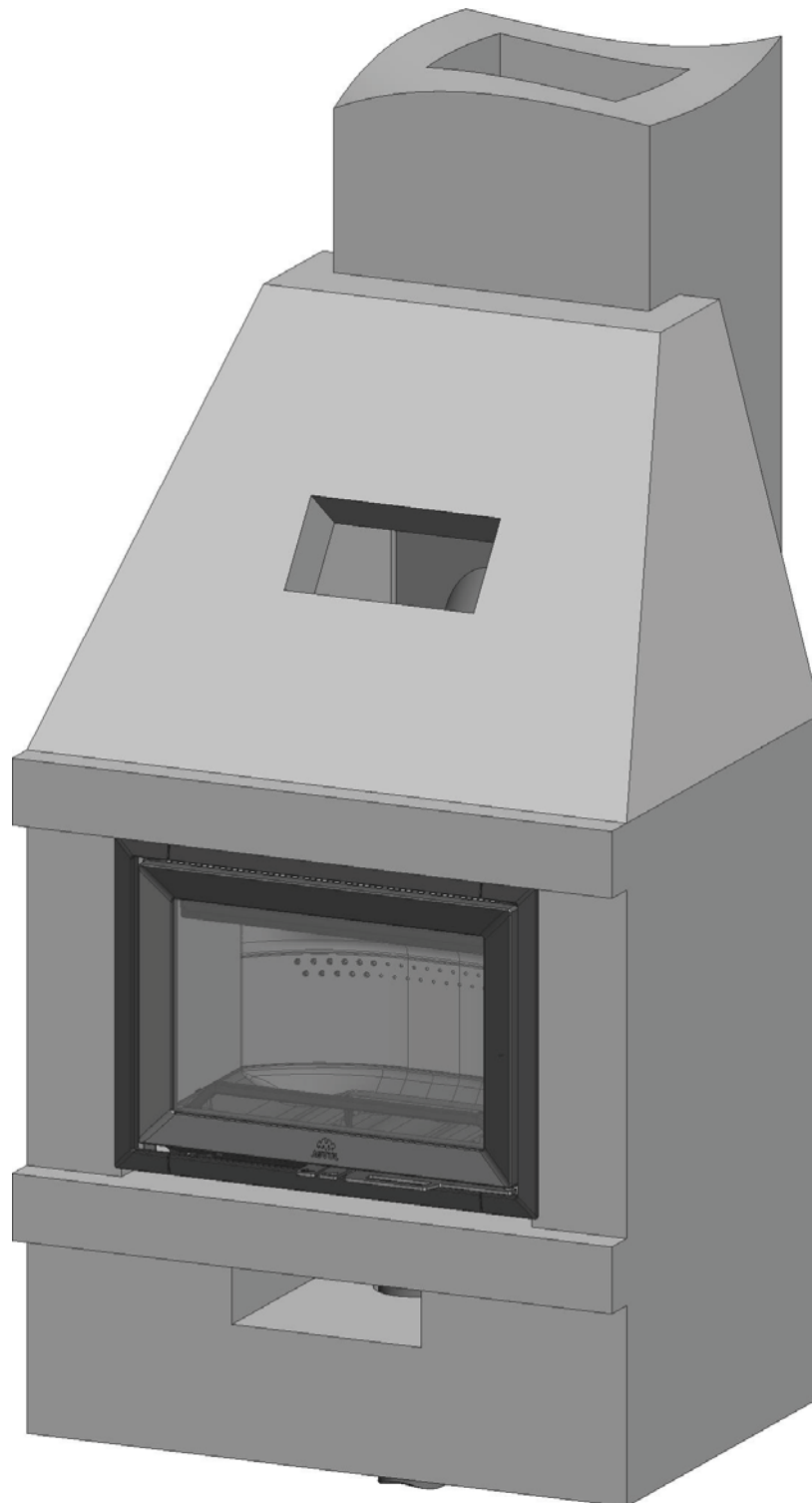


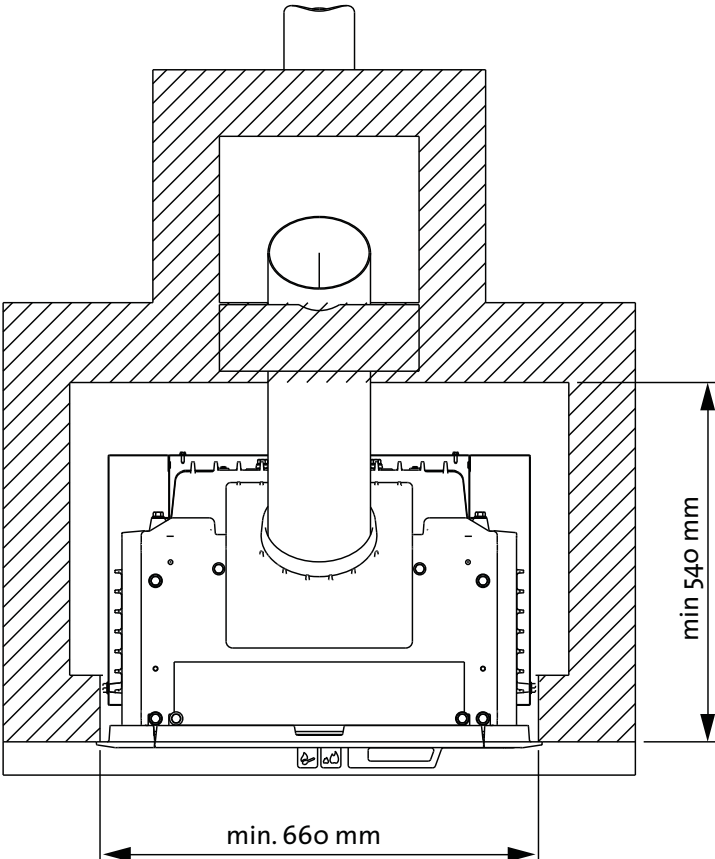
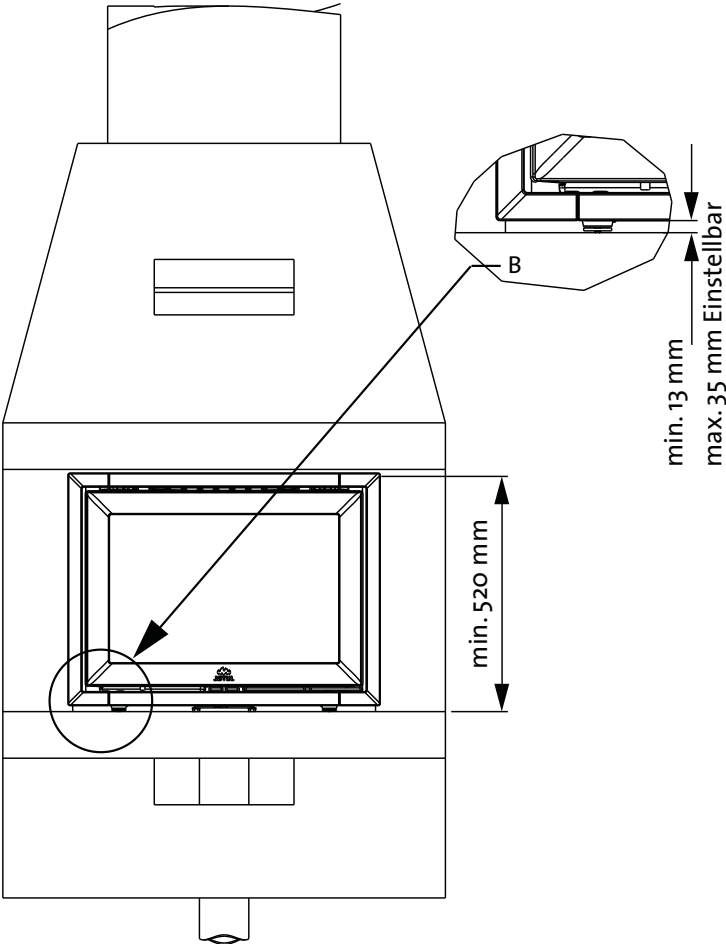
DEUTSCH

3) Installation in offenem Kamin

Installation an gerader Wand mit wenig Platz an der Vorderseite. Die Abbildung zeigt Jøtul I 520 F mit einer Rauchglocke, die von innen um 45° gedreht wurde. Siehe Abb. 29 für Details.

Abb. 29

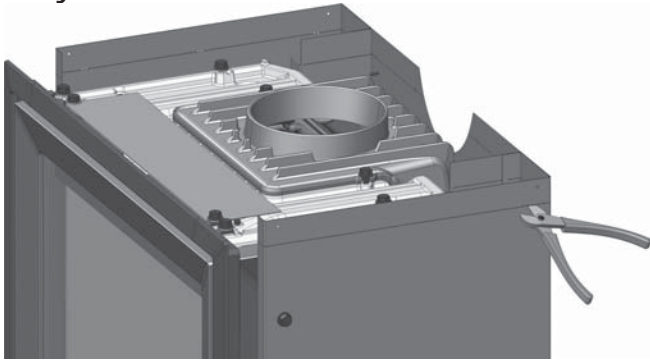




DEUTSCH

Einsatzinstallation in einem offenen Kamin

Abb. 30



1. Schneiden Sie entlang den Ausschnittsöffnungen an der Oberseite der Hitzeschutzplatte und entfernen Sie diesen Abschnitt.

Abb. 31

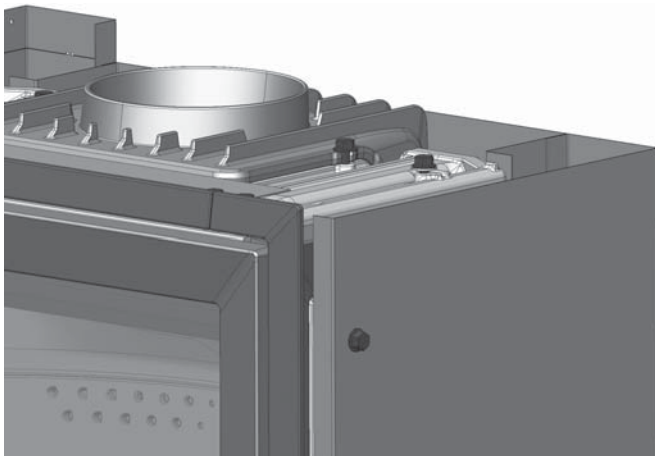
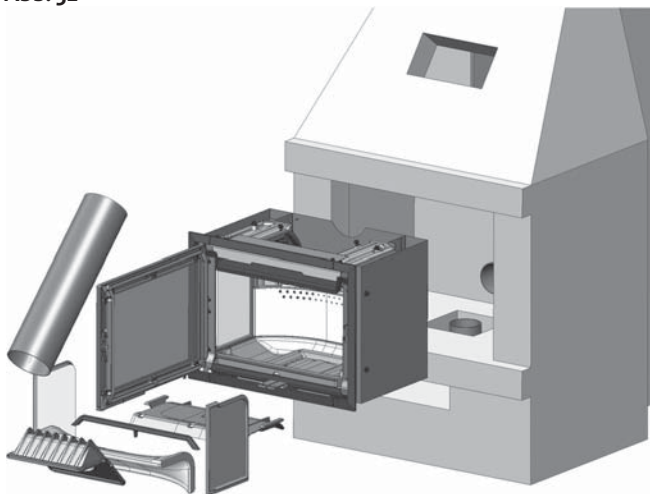
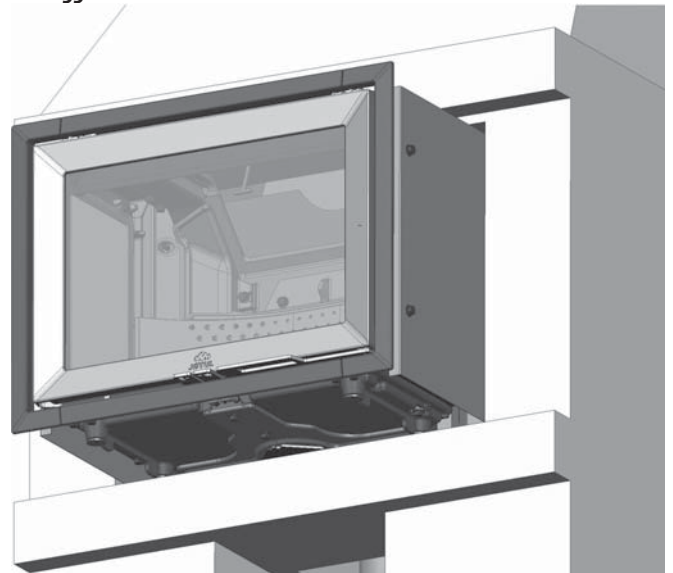


Abb. 32



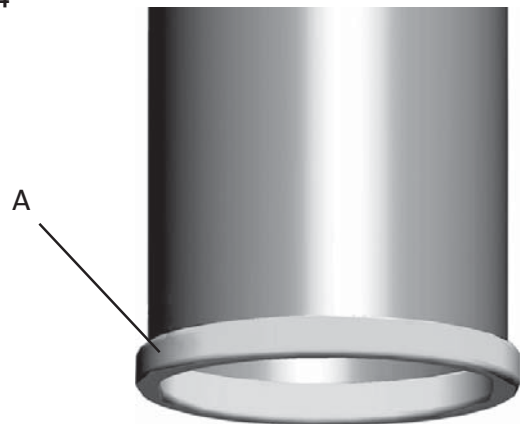
2. Vor dem Einsetzen der Brennkammer in den Kamin müssen Scheithalter, seitliche Brennerplatten, hintere Brennerplatte, Leitblech und Auslassleitblech entfernt werden. Diese werden erneut angebracht, nachdem Rauchgasrohr und Rauchglocke installiert wurden. Siehe Abbildungen unten.

Abb. 33



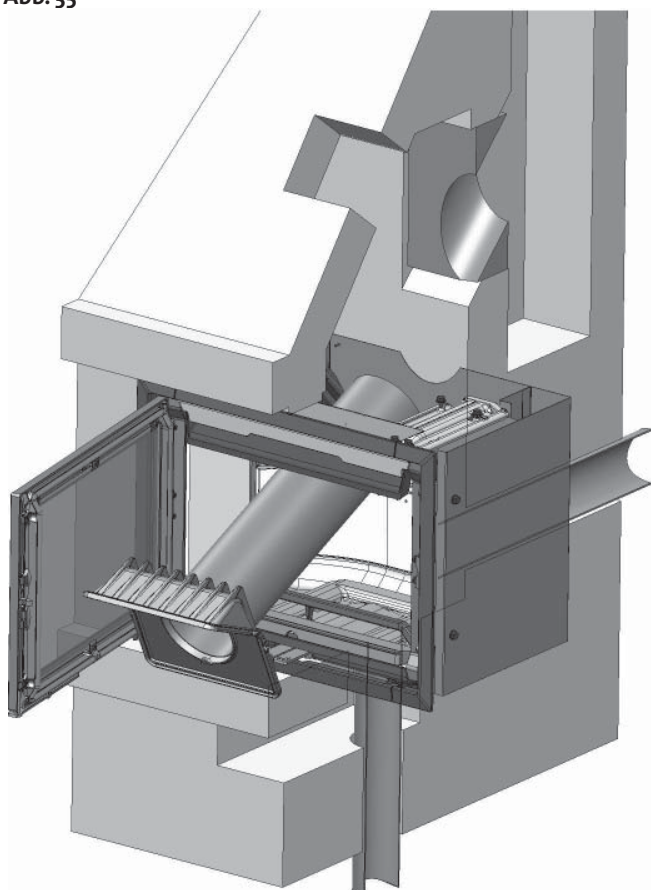
3. Schieben Sie die Brennkammer auf den geformten Führungen am Boden in ihre Position. Richten Sie die Brennkammer waagrecht aus, siehe Beschreibung unter "Ausrichten des Einsatzes".

Abb. 34



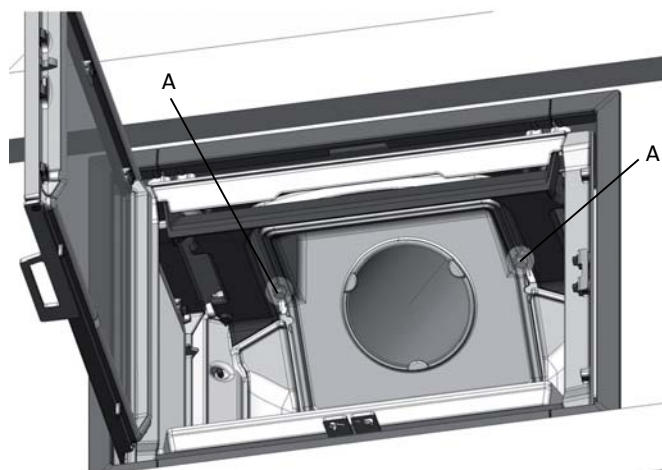
4. Bringen Sie die Dichtung (A) am Ende des Rauchgasrohrs an.

Abb. 35



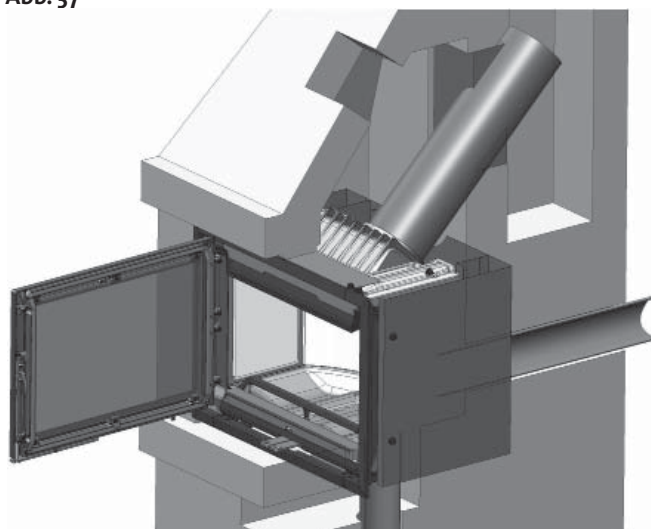
5. Bringen Sie die Rauchglocke (A) an dem Ende des Rauchgasrohrs an, wo sich die Dichtung befindet.
6. Bringen Sie das Rauchgasrohr mit angesetzter Rauchglocke von der Innenseite der Brennkammer aus an.

Abb. 36



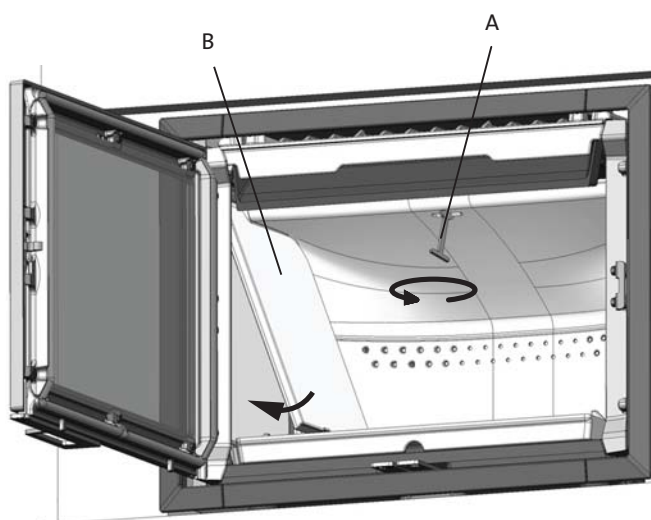
7. Montieren Sie anschließend die Rauchglocke mithilfe der Schrauben (A), die beim Abnehmen vom Abzug an der Oberseite verwendet wurden.

Abb. 37



8. Bei einer Installation wie in Beispiel 3 empfehlen wir, das Rauchgasrohr durch die Türöffnung der Brennkammer einzuführen. Führen Sie das Rauchgasrohr mit angebrachter Rauchglocke durch die Türöffnung sowie durch die Öffnung für die Rauchglocke und vorhandenes Isoliermaterial nach oben in den Schornstein.

Abb. 38



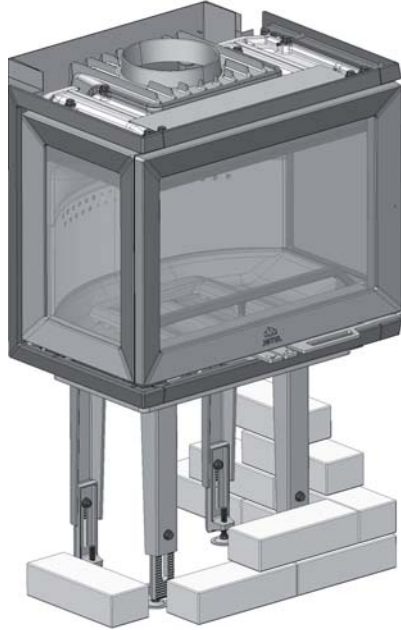
9. Führen Sie den Schlüssel (A) nach oben durch die Öffnung im Leitblech und drehen Sie ihn zum Arretieren.
10. Positionieren Sie die seitlichen Brennerplatten (B).

DEUTSCH

Beim Herstellen einer Ummantelung aus Ziegeln

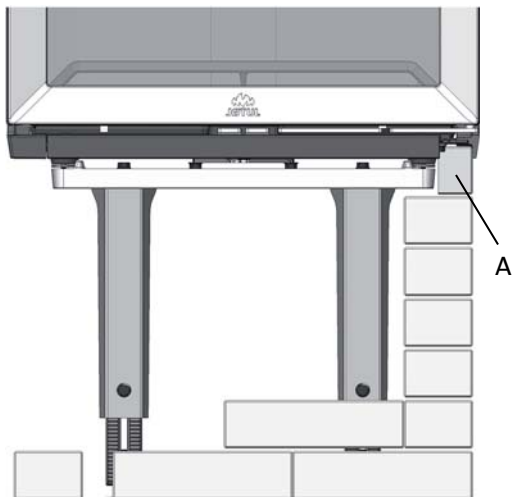
Beim Herstellen einer Ummantelung aus Ziegeln muss ein Beingestell (optional, Art.nr. 51044759) verwendet werden. Hinweis: Es muss die maximale Beinlänge genutzt werden! Siehe **Abb. 1 e und 1 f**. Das Gestell ist so konstruiert, dass genug Platz für die Ziegel an der Innenseite des mitgelieferten Rahmens verbleibt.

Abb. 39



- Die Ziegel werden so platziert, dass sie unter den Einsatzrahmen passen.

Abb. 40



- Die letzten Ziegel (**A**) werden zugeschnitten, damit sie zwischen Beingestell und Rahmen passen. Hinweis: Lassen Sie Öffnungen für Konvektionsluft im Mauerwerk (**Abb. 1 e und f**).

5.0 Tägliche Nutzung

5.1 Bedienungsgriffe

Zündungsregler (A)

Dieser Regler wird beim Anzünden und Nachlegen verwendet, um das Feuer zu entfachen. Wenn dauerhaft Hartholz wie Eiche und Buche genutzt wird, kann der Zündungsregler im Bereich 0-50% geöffnet sein. Bei der Nutzung von Weichholz wie Birke und Kiefer kann der Zündungsregler geschlossen werden.

- Einstellung für normale Verwendung: 0-50%.

Durchluft oder Luftzufuhr (B)

Die Durchluft wird vorehitzt und strömt indirekt zum Feuer. Die Durchluft erfüllt ebenfalls eine Spülfunktion, um Glasflächen rußfrei zu halten. An Glasflächen kann sich Ruß bilden, wenn die Durchluftregelung zu niedrig eingestellt ist. Die Heizleistung richtet sich nach der Durchlufteinstellung.

- Einstellung für normale Verwendung: 40-70%.

Clean Burn-Technologie

Jøtul I 520 arbeitet mit der Clean Burn-Technologie. Die Luft strömt dabei durch ein speziell konstruiertes Kanalsystem. So wird eine optimale Verbrennung der Gase gewährleistet, die bei der Verbrennung entstehen. Die vorehitzte Luft strömt durch die kleinen Öffnungen in der hinteren Brennerplatte der Kammer in die Brennkammer. Der Luftstrom richtet sich nach der Verbrennungsintensität und kann daher nicht separat geregelt werden.

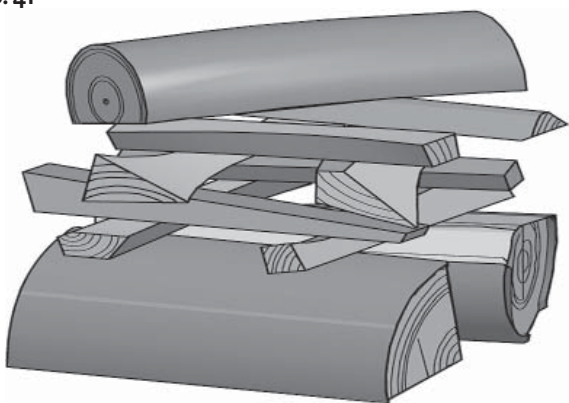
5.2 Anzünden

Wichtiger Hinweis!

Wenn beim Anzünden zu wenig Holz oder zu große Holzscheite verwendet werden, kann nicht die optimale Betriebstemperatur in der Brennkammer erreicht werden. Dies kann zu einer unzureichenden Verbrennung sowie zu einer starken Rußentwicklung oder zu einem Erlöschen des Feuers führen, wenn die Tür geschlossen wird.

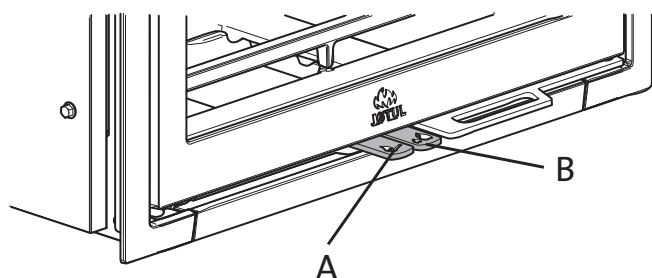
Wenn das Gebäude über ein mechanisches Lüftungssystem verfügt, herrscht im Innenbereich ein Unterdruck. Wenn der Kamin keinen Außenluftanschluss besitzt, öffnen Sie ein naheliegendes Fenster, bevor Sie ein Feuer entzünden. Lassen Sie das Fenster eine Weile geöffnet, bis das Feuer intensiv brennt.

Abb. 41



- Legen Sie zwei mittelgroße Holzscheite auf jede Seite des Brennkommerbodens. Hinweis: Um Rußansammlungen an Glasflächen zu verhindern, dürfen die Scheite nicht das Glas berühren.
- Legen Sie Feueranzünder oder Birkenrinde zwischen die Scheite. Stapeln Sie darüber kreuzweise kleine Anmachholzscheite. Zünden Sie das Holz an.

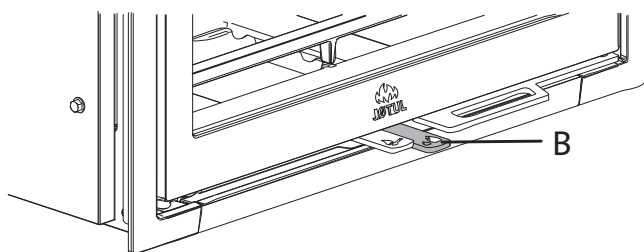
Abb. 42



- Ziehen Sie den Zündungsregler (A) heraus (die Luftzufuhr (B) passt sich automatisch an).

5.3 Feuer schüren

Abb. 43



- Um die Heizleistung regeln zu können, muss in der Brennkommer eine ausreichende Glutschicht liegen und eine hohe Temperatur herrschen. Schüren Sie das Feuer mit mehr Holz, wenn nur noch Glut vorhanden ist. Hinweis: Tragen Sie einen Handschuh o.s.ä., um Ihre Hand vor heißen Griffen zu schützen.
- Öffnen Sie die Tür zunächst leicht und ermöglichen Sie so einen Druckausgleich in der Brennkommer, bevor Sie die Tür ganz öffnen. Dadurch gelangen weder Rauch noch Asche

nach außen. Legen Sie nie Holz nach, wenn das Feuer intensiv brennt.

- Legen Sie 2 oder 3 Scheite mit einem Gesamtgewicht von rund 2 kg nach. Für eine optimale Verbrennung dürfen die Scheite NICHT über die oberen Öffnungen in der hinteren Platte hinausragen.
- Schließen Sie die Tür.
- Lassen Sie den Zündungsregler und die Luftzufuhr 2-3 min lang geöffnet, bis sich die Scheite schwarz gefärbt haben und intensiv brennen. Regeln Sie danach den Zündungsregler und die Luftzufuhr auf 40-70%.
- Die Regelungsbedingungen für die Verbrennung richten sich nach der Temperatur in der Brennkommer und dem Schornsteinzug.

Wichtiger Hinweis! Das Holz muss sich schnell entzünden. Daher empfehlen wir, die Luftzufuhr zu öffnen. Eine Verbrennung mit zu niedriger Temperatur und zu wenig Luft kann in einigen Fällen zu einer Gasentzündung führen, die den Kaminofen beschädigen kann.

Überhitzungswarnung

Der Kamin darf nie überheizt werden.

Der Kamin wurde für eine Nennheizleistung von 7 kW konstruiert und getestet. Dies entspricht einer Verbrennungsintensität von ca. 2,3 kg Holz pro Stunde.

Die maximale Nachlegemenge liegt bei 3,4 kg pro Stunde (3-4 Holzscheite gleichzeitig).

Wichtiger Hinweis!

- Bei einem brennenden Feuer darf der Zündungsregler niemals über einen längeren Zeitraum vollständig geöffnet sein. Eine Überhitzung ist daran erkennbar, dass Teile des Kaminofens rot glühen. Wenn dies der Fall ist, muss die Öffnung der Luftzufuhr sofort verringert werden.
- Wenn Sie vermuten, dass der Kaminofen nicht korrekt zieht (zu viel oder zu wenig), lassen Sie sich von Fachpersonal beraten.

Geruch bei erstmaliger Nutzung des Kaminofens

Wenn der Kaminofen zum ersten Mal genutzt wird, kann ein Gas mit einem leicht störenden Geruch austreten. Dies liegt daran, dass der Anstrich auf der Außenseite trocknet. Das Gas ist ungiftig. Dennoch sollte Raum gründlich gelüftet werden, z.B. durch das Öffnen von Fenstern. Lassen Sie das Feuer mit starkem Zug brennen, bis sich das Gas komplett verflüchtigt hat und weder Rauch noch Geruch wahrgenommen werden können.

DEUTSCH

5.4 Anforderungen an den Brennstoff

Holzqualität

Holz hacken und lagern

- Jede Holzart kann als Feuerholz verwendet werden. Hartholz, wie z.B. Buche und Esche, eignen sich generell besser, da sie gleichmäßiger brennen und weniger Asche anfällt. Andere Holzarten, wie etwa Ahorn, Birke und Fichte, eignen sich ebenfalls ausgezeichnet als Feuerholz.
- Holz, das vor dem 1. Mai gefällt, gesägt und gehackt wurde, eignet sich am besten.
- Denken Sie daran, Scheite entsprechend der vorliegenden Brennkammergröße herzustellen. Wir empfehlen einen Durchmesser von 6 bis 10 cm. Die Länge sollte 6 mm unter den Brennkammerabmessungen liegen, damit die Luft noch ausreichend zirkulieren kann. Holzscheite mit einem größeren Durchmesser müssen vor einer Nutzung gespalten werden. Gehacktes Holz trocknet schneller.
- Gesägte und gehackte Scheite sind 1-2 Jahre an einem trockenen Ort zu lagern, bevor sie für eine Nutzung als Kaminholz ausreichend getrocknet sind.
- Holzscheite sollten einige Tage vor dem Verbrennen in einen Innenbereich mit Raumtemperatur geholt werden.

Feuchtigkeit

Um Umweltprobleme zu vermeiden und einen optimalen Wirkungsgrad bei der Verbrennung sicherzustellen, muss das Holz vor einer Nutzung im Kamin vollständig getrocknet sein:

- Der Feuchtigkeitsgehalt darf maximal 20% betragen.
- Bei einem Feuchtigkeitsgehalt zwischen 15% und 18% werden die besten Ergebnisse erzielt. Schlagen Sie zwei Scheite gegeneinander, um zu prüfen, ob sie trocken sind. Feuchtes Holz erzeugt dabei einen dumpfen Klang.
- Bei zu feuchtem Holz wird die meiste Verbrennungshitze verbraucht, um das enthaltene Wasser zu verdunsten. Der Kaminofen erhitzt sich nicht und der Raum wird folglich nicht beheizt. Dies ist alles andere als wirtschaftlich. Außerdem bildet sich Ruß an den Glasflächen, in der Brennkammer und im Schornstein. Das Verbrennen von feuchtem Holz führt zu einer Umweltverschmutzung.

Folgende Materialien dürfen unter keinen Umständen als Kaminbrennstoff verwendet werden:

- Hausmüll, Kunststofftüten usw.
- Angestrichenes oder imprägniertes Holz (extrem giftig).
- Schichtholzplanken.
- Treibholz

Diese Materialien beschädigen das Produkt und sind außerdem umweltschädlich.

Hinweis: Verwenden Sie nie Benzin, Paraffin, Brennspritus oder ähnliche Substanzen, um das Feuer zu entzünden. Andernfalls besteht die Gefahr für schwere Verletzungen oder Beschädigungen des Produkts.

5.5 Holzverbrauch

Holzverbrauch bei Nennheizleistung: ca. 2,3 kg/h.

Empfohlene Scheitgröße:

Anmachholz (kleingespaltenes Holz):

Länge: 30-50 cm

Durchmesser: 6-10 cm

Anmachholzmenge: 3 Scheite mit einem Gewicht von jeweils 0,6-0,8 kg und 10-12 Holzstücke mit einem Gesamtgewicht von ca. 1 kg.

Feuer schüren:

Holz (Spaltholz):

Länge: 30-50 cm

Jeweils benötigte Menge: 2 oder 3 Scheite mit einem Gewicht von jeweils 0,7 kg; also jedesmal 1,5-2,0 kg.

Nachlegehäufigkeit: ca. alle 50 min

Die Nennheizleistung wird erreicht, wenn die Luftzufuhr etwa 40-70% und der Zündungsregler 0-50% geöffnet ist.

Bei Tests gemäß dem Standard EN 13229 werden 3 Holzscheite mit jeweils 1,7 kg verwendet.

Luftzufuhreinstellung: Zündungsregler zu 50% und Luftzufuhr zu 50% geöffnet.

6.0 Pflege

6.1 Reinigung des Sichtfensters

Es verbleibt je nach den örtlichen Luftzugverhältnissen und der Einstellung der Luftzufuhr immer noch etwas Ruß am Sichtfenster. Normalerweise verbrennt der Großteil der Rußschicht bei vollständig geöffneter Luftzufuhr, und das Feuer brennt mit starker Flamme.

Nützlicher Hinweis! Verwenden Sie zur einfachen Reinigung des Sichtfensters ein mit warmem Wasser angefeuchtetes Papiertuch, und fügen Sie etwas Asche aus der Brennkammer hinzu. Reiben Sie mit dem Papiertuch über das Sichtfenster, und waschen Sie es anschließend mit klarem Wasser. Gut abtrocknen. Falls das Sichtfenster sorgfältiger gereinigt werden muss, wird ein Glasreiniger empfohlen (*beachten Sie die Gebrauchsanweisung auf der Flasche*).

6.2 Entfernen der Asche

- **Wichtig!** Entfernen Sie nur Asche, wenn der Kamin kalt ist.
- Beseitigen Sie die Asche mit einer Schaufel oder ähnlichem Gerät durch die Tür.
- Lassen Sie stets etwas Asche als Schutzschicht auf dem Boden des Kamins zurück.

6.3 Reinigung und Rußentfernung

An den Innenflächen des Kamins können sich während des Betriebs Rußablagerungen bilden. Ruß ist ein guter Isolator und verringert die Wärmeabgabe des Kamins. Haben sich die Rußablagerungen stark angehäuft, lassen sich diese mit einem Rußentferner leicht entfernen.

Um die Bildung von Wasser-/Teerablagerungen im Kamin zu vermeiden, sollten Sie das Feuer regelmäßig so heiß werden

lassen, dass die Ablagerungen verbrennen. Einmal jährlich sollte das Produktinnere gereinigt werden, um die größtmögliche Wärmenutzung zu erhalten. Dabei ist es sinnvoll, Schornstein und Abzugsrohre gleich mit auszufegen.

6.4 Fegen der Abzugsrohre, die zum Schornstein führen

Normalerweise muss die Ablenkplatte entfernt werden. (Weitere Informationen finden Sie im Aufstellungshandbuch des Produkts im separaten Abschnitt «7.0 Instandhaltung».)

6.5 Inspektion des Kamins

Jøtul empfiehlt, dass Sie persönlich eine sorgfältige Inspektion des Kamins durchführen, nachdem er ausgefegt bzw. gereinigt wurde. Prüfen Sie alle sichtbaren Oberflächen auf Risse. Prüfen Sie auch, ob alle Verbindungen abgedichtet sind und die Tür- und Deckelplattendichtungen richtig sitzen. Verschlissene oder verformte Dichtungen müssen ersetzt werden. Reinigen Sie die Dichtnuten sorgfältig, tragen Sie Spezialkleber (erhältlich bei Ihrem Jøtul-Vertragshändler) auf, und pressen Sie die Dichtung in ihren Sitz. Die Verbindungen trocknen schnell.

6.6 Pflege der Außenflächen

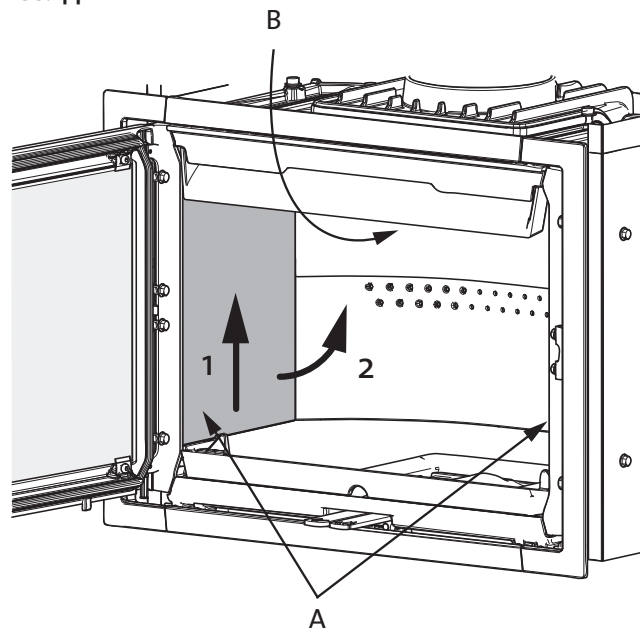
Bei **lackierten Produkten** kann sich der Farbton nach mehrjährigem Gebrauch ändern. Bevor Sie neuen Lack aufbringen, müssen Sie die Oberflächen sauber wischen und von losen Partikeln befreien.

7.0 Instandhaltung

Warnung! Unberechtigte Änderungen am Produkt sind nicht zulässig! Es dürfen nur Originalersatzteile verwendet werden!

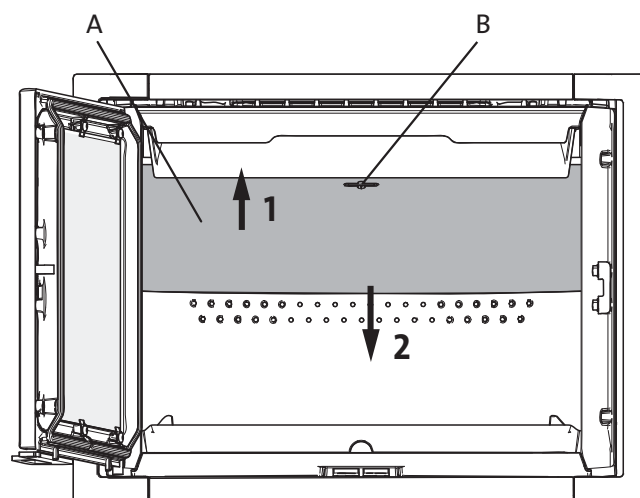
7.1 Wechsel von Brennerplatten, Leitblech und Auslassleitblech

Abb. 44



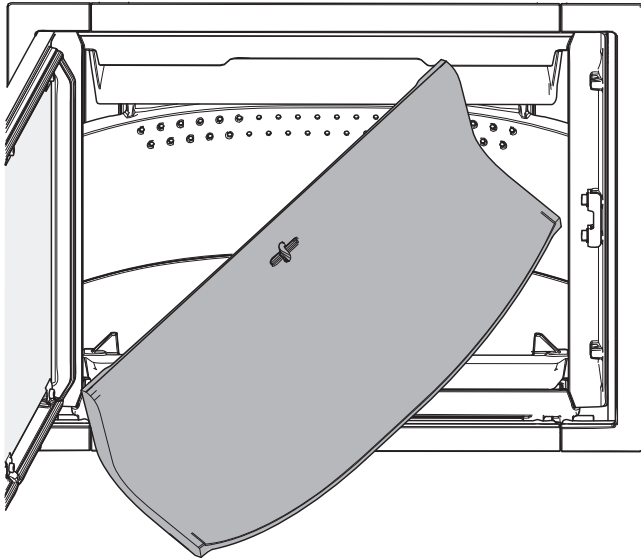
1. Entfernen Sie zunächst den Scheithalter (**Abb. 13 A**).
2. Demontieren Sie die seitliche Brennerplatte (**A**), indem Sie sie leicht anheben, während Sie das Leitblech (**B**) oben halten. Ziehen Sie die seitliche Brennerplatte an der Unterseite heraus und heben Sie sie danach vollständig heraus.
3. Heben Sie anschließend die andere seitliche Brennerplatte heraus, während Sie das Leitblech auf dieselbe Weise wie bei der ersten seitlichen Brennerplatte anheben.

Abb. 45



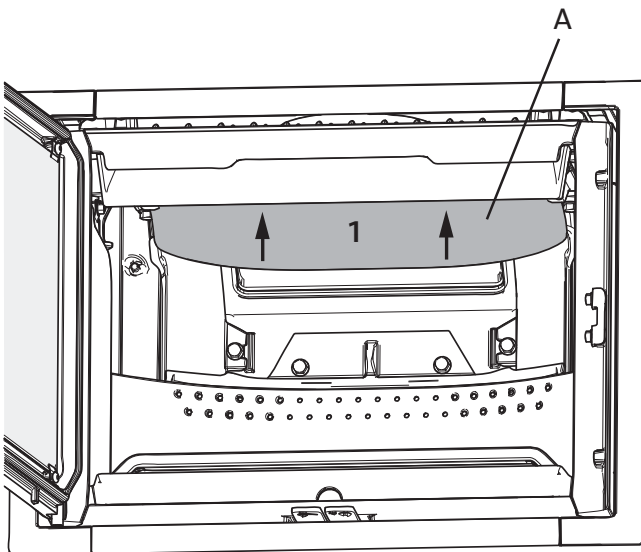
4. Heben Sie zunächst das Leitblech (**A**) an. Drehen Sie den Schlüssel (**B**) um 90° und ziehen Sie ihn ab. Ziehen Sie die Hinterkante des Leitblechs nach unten.

Abb. 46



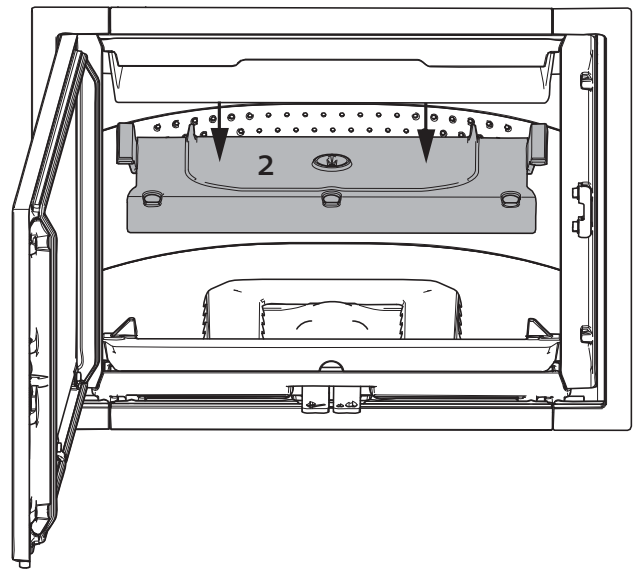
5. Drehen Sie eine Ecke zu sich und ziehen Sie sie seitlich heraus.

Abb. 47



6. Entfernen Sie danach das Auslassleitblech (A), indem Sie es zunächst leicht anheben. Drücken Sie anschließend das Auslassleitblech nach hinten.

Abb. 48

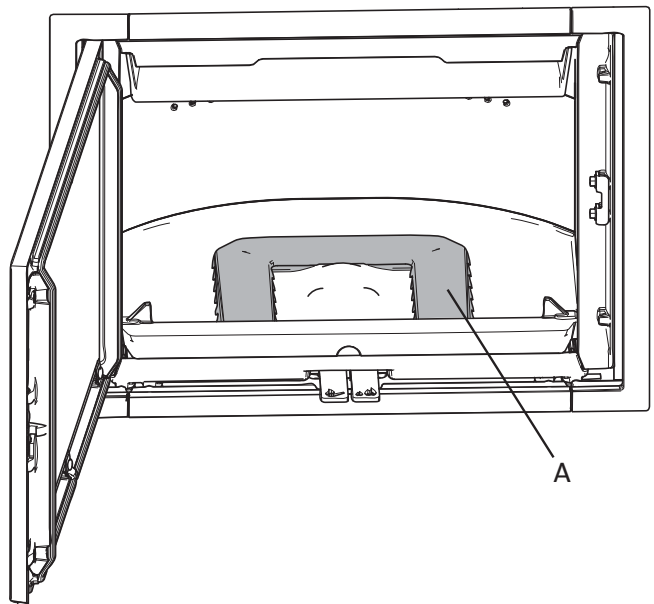


7. Senken Sie das Auslassleitblech ab und heben Sie es heraus.
8. Gehen Sie bei der erneuten Installation in der umgekehrten Reihenfolge vor.

7.2 Wechsel von Luftkanal und innerem Boden

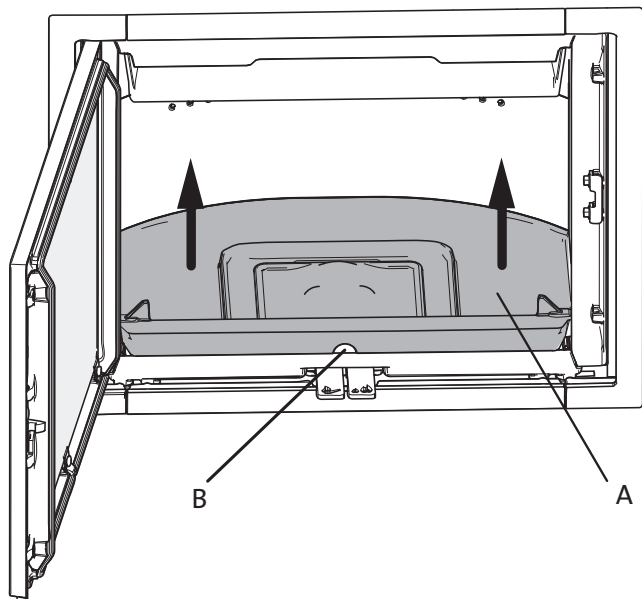
Bei der Installation in einer Ummantelung aus Ziegeln oder einer vorgefertigten Ummantelung und in einem Ofen bzw. offenen Kamin muss der Einsatz eben ausgerichtet sein.

Abb. 49



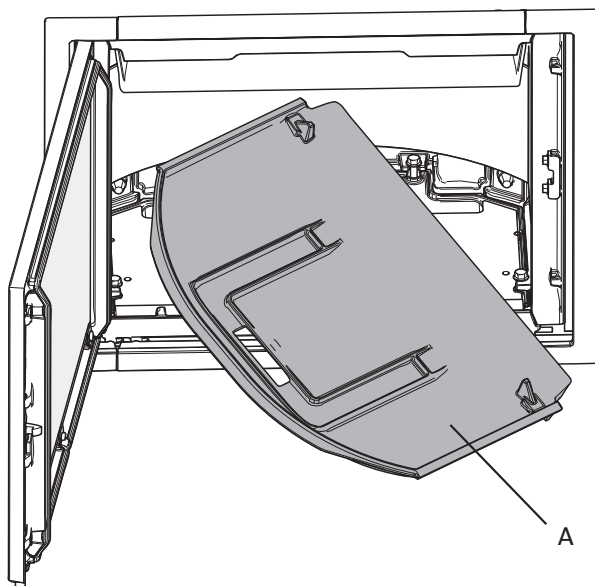
1. Heben Sie den Luftkanal (A) an und entfernen Sie ihn.

Abb. 50



2. Ergreifen Sie die Öffnung (B) an der Frontseite des inneren Bodens (A) und heben Sie ihn an.

Abb. 51



3. Drehen Sie eine Ecke zu sich und ziehen Sie den inneren Boden heraus.
4. Gehen Sie bei der erneuten Installation in der umgekehrten Reihenfolge vor.

8.0 Zusatzausstattung

8.1 Beingestell, komplett

Art.nr. 51044759

8.2 Türverschluss, komplett, links

Für Tür mit Rechtsanschlag

Art.nr. 50045754

8.3 Rahmen

Rahmen für Jøtul I 520 F

Art.nr. 50045750

Rahmen für Jøtul I 520 FL/FR

Art.nr. 50045751

Rahmen für Jøtul I 520 FRL

Art.nr. 50045752

8.4 Konvektionsdeckplatte, komplett I 520 F

Art.nr. 50045755

8.5 Blechgitter

Blechgitter Jøtul I 520 F

Art.nr. 50045747

Blechgitter Jøtul I 520 FR

Art.nr. 50045748

Blechgitter Jøtul I 520 FL

Art.nr. 50045749

9.0 Recycling

9.1 Recyclingverpackung

Ihr Kamin wird mit der folgenden Verpackung geliefert:

- Eine Holzpalette kann zersägt und im Kamin verbrannt werden.
- Verpackungskarton ist auf einem Recyclinghof zu entsorgen.
- Kunststoffbeutel sind auf einem Recyclinghof zu entsorgen.

9.2 Kaminrecycling

Der Kamin besteht aus folgenden Materialien:
Metall, das auf einem Recyclinghof zu entsorgen ist.

- Glas, das als Sondermüll entsorgt werden muss. Das im Kamin verbaute Glas darf **nicht** im normalen Glasmüll entsorgt werden.
- Brennerplatten aus Vermiculit, die in Normalmüll entsorgt werden können.

10.0 Garantie

Jøtul AS gewährt Kunden eine zehnjährige Garantie. Diese schließt das Recht ein, äußere Komponenten aus Gusseisen zurückzugeben, wenn diese Defekte aufgrund von Material- und bzw. oder Herstellungsfehlern aufweisen. Der Garantiezeitraum beginnt mit dem Kauf bzw. der Installation des Kamins. Der Käufer besitzt ein Rückgaberecht, wenn der Kamin gemäß den geltenden Gesetzen und Regelungen sowie der Montage- und Bedienungsanleitung von Jøtul ausgeführt wurde.

Folgendes wird von der Garantie nicht eingeschlossen:

Die Installation von Zusatzausstattung, z.B. zur Anpassung lokaler Zugverhältnisse, Luftzufuhr oder anderer Umstände, die sich Jøtuls Einflussnahme entziehen. Die Garantie gilt nicht für Teile wie Brennerplatten, Rauchleitbleche, Feuerroste, Bodenroste, feuerfeste Ziegel, Dämpfer und Dichtungen, da diese im Laufe der Zeit einem normalen Verbrauch oder Verschleiß unterliegen. Die Garantie deckt keine Schäden ab, die durch Verwendung eines ungeeigneten Brennstoffs zum Entzünden von Feuer verursacht werden, z.B. Treibholz, imprägniertes oder angestrichenes Holz, Bretterschnitt, Spanplatten usw. Zu einer Überhitzung kann es ohne Weiteres kommen, wenn ein ungeeigneter Brennstoff verwendet wird. Dabei wird der Kamin rotglühend, wodurch eine Entfärbung stattfindet und in den Gusseisenteilen Risse entstehen.

Die Garantie deckt keine Schäden ab, die beim Transport zwischen Händler und Lieferadresse entstehen. Die Garantie erstreckt sich nicht auf Schäden, die durch die Verwendung von Teilen von Drittanbietern entstehen.



Conformiteitsverklaring - België

Producent: Jøtul AS, P.O. Box 1411, 1602 Fredrikstad, Noorwegen

Product: Jøtul I 520 Series

Hierbij verklaren wij dat de hierna genoemde apparaten voldoen aan het standaardmodel beschreven in de EG-conformiteitsverklaring en dat de productie en marketing van de apparaten voldoet aan de vereisten van het koninklijk decreet van 12 oktober 2010 betreffende de minimumeisen voor prestaties en de verontreinigende uitstoot van met vaste brandstof gestookte verwarmingsapparaten.

Model: Jøtul I 520 F, Jøtul I 520 FRL, Jøtul I 520 FR, Jøtul I 520 FL

Nummer testrapport: 300-ELAB-1835-EN

Getest volgens de standaard: DS/EN 13229:2001 und DS 13229:2001/A2:2004

Testinstituut: Danish Technological Institute,
Teknologiparken, Kongsvang Alle 29, DK-8000 Århus C

Nominaal vermogen: 7 kW

Efficiëntie: 77 %

CO @ 13% O₂-metingen: 0,07 %

Gemeten aantal deeltjes @ 13% O₂ : 12 mg/Nm³

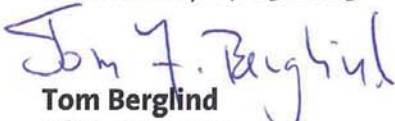
Milieugegevens met betrekking tot de aanbevolen vaste brandstof:

Jøtul AS raadt aan om uitsluitend hout te gebruiken dat in de handleiding wordt vermeld. De verbranding in de kachel is alleen milieuvriendelijk wanneer het juiste hout wordt gebruikt.

Milieugegevens met betrekking tot de niet-aanbevolen vaste brandstof:

Jøtul AS raadt af om materialen te verbranden die niet in de handleiding worden vermeld. De verbranding in de kachel is alleen milieuvriendelijk wanneer onze aanbevelingen worden opgevolgd.

Fredrikstad, 24/05-2013


Tom Berglind
R&D-manager

Sluttkontroll av ildsteder

Quality control of stoves and fireplaces

Checked

Utført	Kontrollpunkt	Controlled item
✓	Alle deler er med i produktet (ifølge struktur).	All parts are included.
✓	Alle festemidler er av korrekt type, og er korrekt anvendt.	Correct fastener items have been used and correctly applied.
✓	Overflater er i samsvar med Jøtuls kvalitetsstandarder.	Surfaces comply with Jøtul workmanship standards.
✓	Lukkemekanismer fungerer som de skal, og uten behov for unødige stor kraft.	Door locking mechanisms function correctly; excessive force is not needed.
✓	Produktet/serien møter kravet for lekkasjetest.	The product/lot complies with the leakage test requirement.
✓	Lakkerte/emaljerte overflater møter kravene i Jøtuls kvalitetsstandarder.	Paint/enamel surface finish complies with Jøtul workmanship standards.
✓	Produktet er fritt for utvendig kitt- eller limklin.	Surfaces are not contaminated by external stove cement or glue.
✓	Produktet har ingen sprekker i glass, støpejern eller andre deler.	There are no cracks in glass, cast iron or other parts.
✓	Pakninger er riktig lagt, og skjemmer ikke produktet ved stygge ender eller ved at pakningen er unødig synlig.	Gaskets are correctly applied and do not degrade product appearance (i.e. loose ends or excessive visible exposure).
✓	Dørpakninger er godt limt.	Door gaskets are firmly glued/ fixed to the door.
✓	Dørpakninger har tilfredsstillende pakningstrykk.	Door gaskets provide satisfactory sealing.
✓	Sjekk at det ikke "lyser gjennom" i dørpakning eller andre sammenføyninger.	Check for "light through" at door seals and other relevant locations.
✓	Trekkhender osv fungerer normalt.	The function of air valve handle etc is normal.

Jøtul bekrefter herved at dette produktet er kontrollert og funnet å være i samsvar med våre kvalitetsnormer.	Jøtul hereby confirm that this product has been QC inspected and found to comply with our quality standards.
Lot. No. / Serie nr. - Checked by / kontrollert av	

Jøtul arbeider kontinuerlig for om mulig å forbedre sine produkter, og vi forbeholder oss retten til å endre spesifikasjoner, farger og utstyr uten nærmere kunngjøring.

Jøtul bemüht sich ständig um die Verbesserung seiner Produkte, deshalb können Spezifikationen, Farben und Zubehör von den Abbildungen und den Beschreibungen in der Broschüre abweichen.

Jøtul pursue a policy of constant product development. Products supplied may therefore differ in specification, colour and type of accessories from those illustrated and described in the brochure.

Jøtul vise sans cesse à améliorer ses produits. C'est pourquoi, il se réserve le droit de modifier les spécifications, couleurs et équipements sans avis préalable.

Kvalitet

Jøtul AS arbeider etter et kvalitetssikringssystem basert på NS-EN ISO 9001 for utvikling, produksjon og salg av ildsteder. Vår kvalitetspolitikk skal gi kundene den trygghet og kvalitetsopplevelse som Jøtul har stått for siden bedriftens historie startet i 1853.

Qualität

Jøtul AS hat ein Qualitätssicherungssystem, das sich bei Entwicklung, Produktion und Verkauf von Öfen und Kaminen nach NS-EN ISO 9001 richtet. Diese Qualitätspolitik vermittelt unseren Kunden ein Gefühl von Sicherheit und Qualität, für das Jøtul mit seiner langjährigen Erfahrung seit der Firmengründung im Jahre 1853 steht.

Quality

Jøtul AS has a quality system that conforms to NS-EN ISO 9001 for product development, manufacturing, and distribution of stoves and fireplaces. This policy gives our customers quality and safety piece of mind as a result of Jøtul's vast experience dating back to when the company first started in 1853.

Qualité

Le système de contrôle de la qualité de Jøtul AS est conforme à la norme NS-EN ISO 9001 relative à la conception, à la fabrication et à la distribution de poêles, foyers et inserts. Cette politique nous permet d'offrir à nos clients une qualité et une sécurité reposant sur la vaste expérience accumulée par Jøtul depuis sa création en 1853.

Jøtul AS,
P.O. box 1411
N-1602 Fredrikstad,
Norway

www.jotul.com

