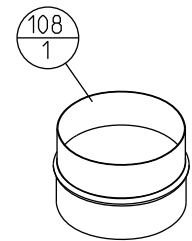
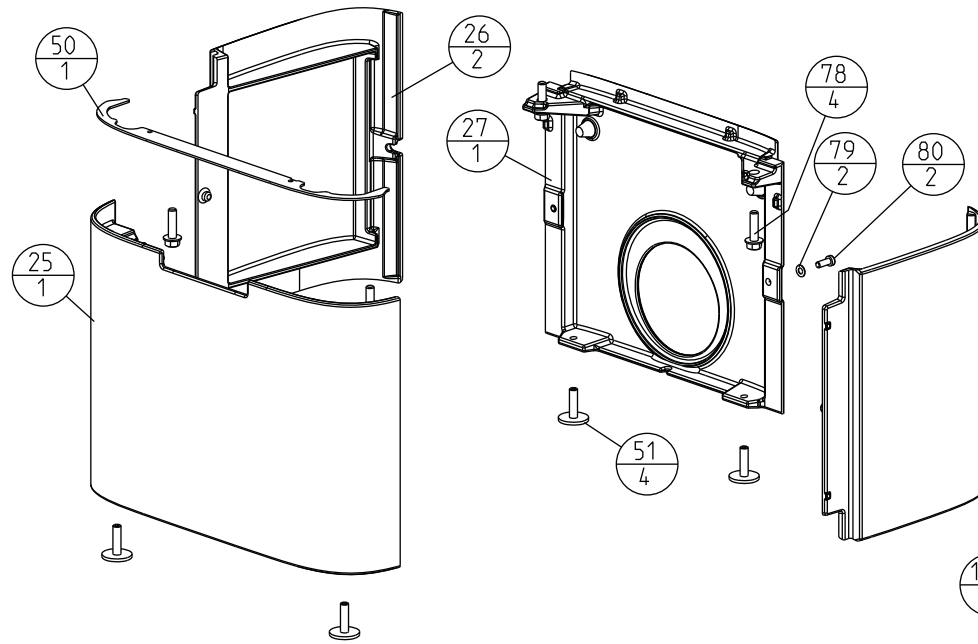
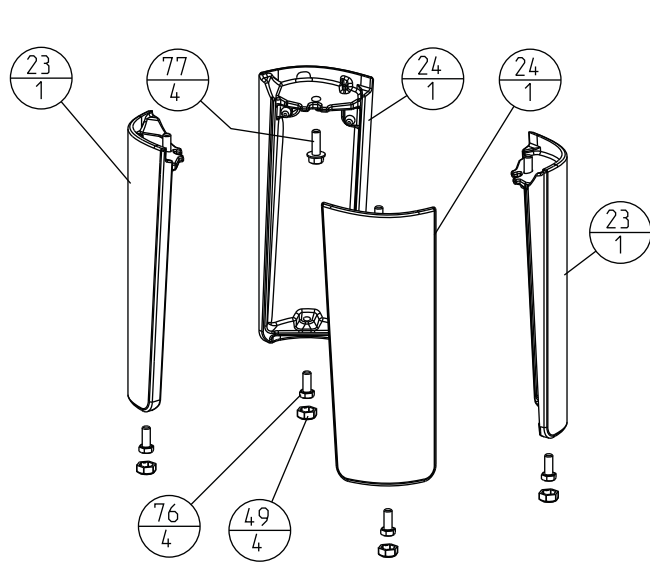


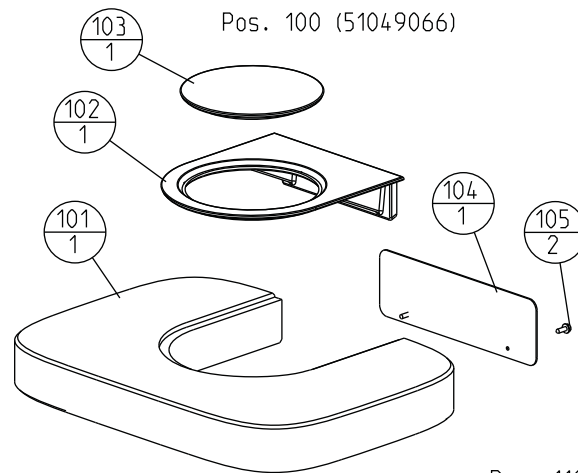
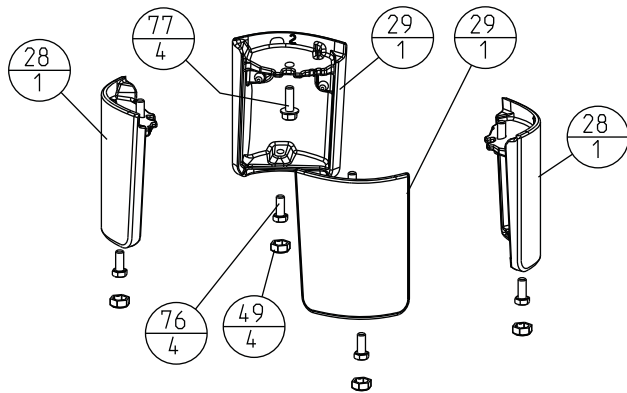
XX - Position number  
YY - Quantity

Position number:  
 67 - only for United Kingdom

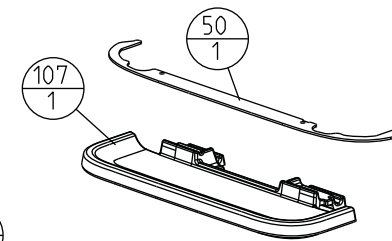
Partlist, Jøtul F 105		
Jøtul AS Fredrikstad, Norway	Draw. no.: Sheet 1 / 3 900182-P00	Date: 20.04.2015



Pos. 106 (51049065)

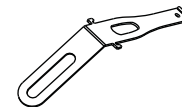


Pos. 100 (51049066)



Pos. 109 (51047509)

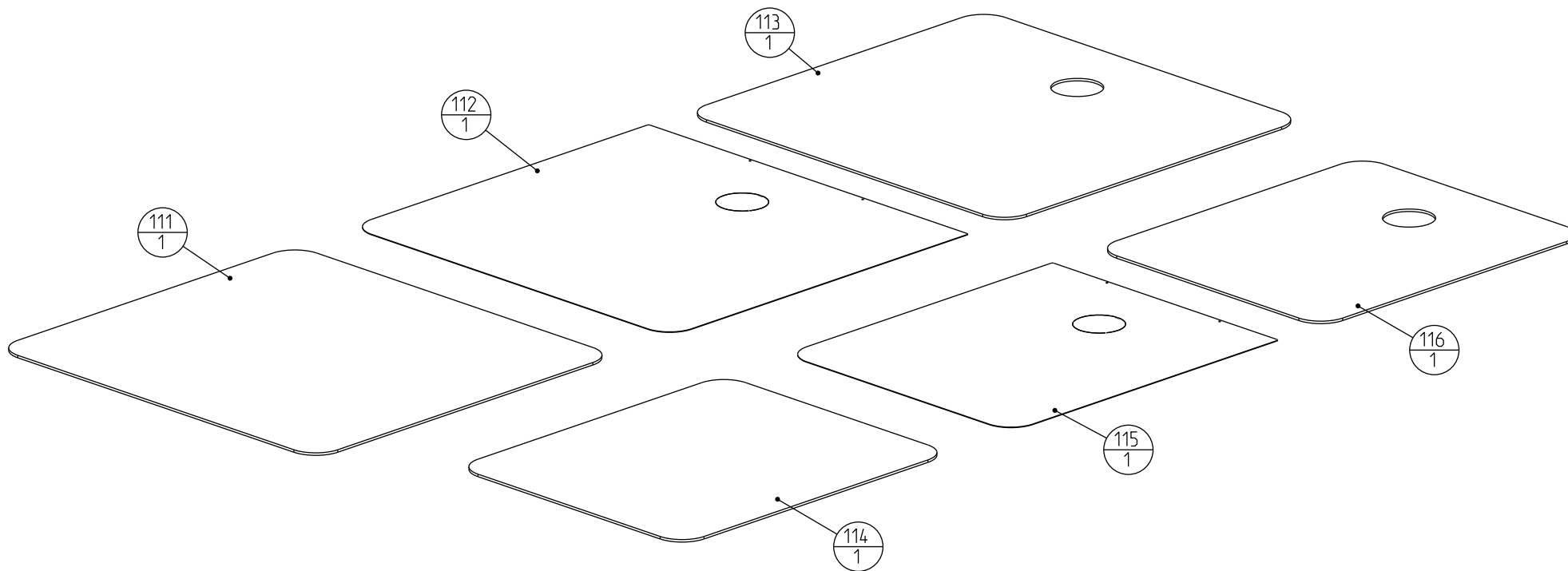
Pos. 110 (51049070)



### Partlist, Jøtul F 105

Jøtul AS Fredrikstad, Norway	Draw. no.: Sheet 2 / 3 900182-P00	Date: 20.04.2015
---------------------------------	--------------------------------------	---------------------

- Position number  
 - Quantity



XX	- Position number
YY	- Quantity

<b>Partlist, Jøtul F 105</b>		
Jøtul AS Fredrikstad, Norway	Draw.no: Sheet 3 / 3 900182- P00	Date: 20.04.2015